



Benefits

- Replace incandescent lamps directly
- Light where you need it
- Up to 85% energy savings compared to incandescent bulb, 40% compared to CFL

Application



Model	Item Description	W	PF	lm	lm/W	CRI	BA	RoHS	Single Box Dimensions (LxWxH)mm	Outer Box Dimensions (LxWxH)mm	Packing Qty (PCS/CTN)
YTG95Z1-G95-12W-E27	CLSV1 G95 12W E27 3000K	12	0.5	1200	100	>80	240°	20000	98*98*150	515*412*170	20
YTG95Z1-G95-12W-E27	CLSV1 G95 12W E27 4000K	12	0.5	1200	100	>80	240°	20000	98*98*150	515*412*170	20
YTG95Z1-G95-12W-E27	CLSV1 G95 12W E27 6500K	12	0.5	1200	100	>80	240°	20000	98*98*150	515*412*170	20
YTG120Z1-G120-15W-E27	CLSV1 G120 15W E27 3000K	15	0.5	1500	100	>80	240°	20000	124*124*170	645*516*190	20
YTG120Z1-G120-15W-E27	CLSV1 G120 15W E27 4000K	15	0.5	1500	100	>80	240°	20000	124*124*170	645*516*190	20
YTG120Z1-G120-15W-E27	CLSV1 G120 15W E27 6500K	15	0.5	1500	100	>80	240°	20000	124*124*170	645*516*190	20

Application Conditions

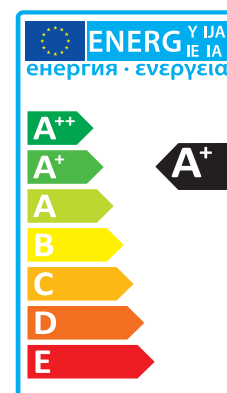
IP	IP20
Operating Temperature	-20~40°C
Application Temperature	25°C
Storage Environment	-25~50°C

Mechanical Properties

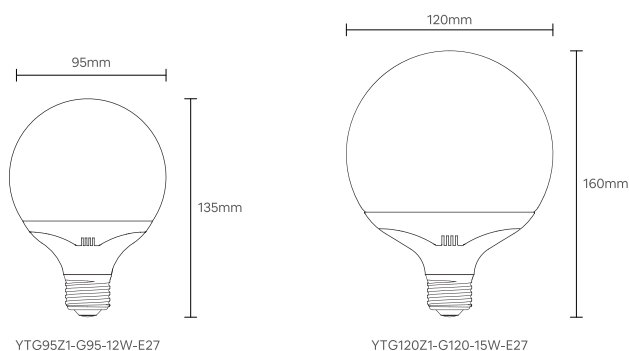
Optical Material	PC
Housing Material	PBT
Finishing Colour	White

Electrical Supply

Frequency (Hz)	50/60
Voltage (V)	220-240
AC/DC	AC



Dimensional Drawing



YTG95Z1-G95-12W-E27

YTG120Z1-G120-15W-E27