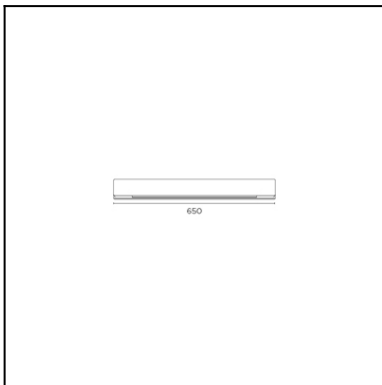


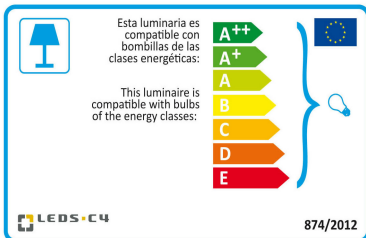
Design by Francesc Vilaró



The photograph may not match the reference exactly. Please read the product description to identify the finish.



Download photometric file .ldt / .ies



Click on image to download energy label

TECHNICAL CHARACTERISTICS

Type:	Wall fixture
IP Protection degrees:	IP44
Light source 1:	1 x 2G11 40W
Voltage / Frequency:	220-240V/50-60Hz
Warranty (Years):	2
Units per box:	2
Net Weight (Kg):	3.03
EAN:	8435111080504



MATERIALS / FINISHES

Structure material:	Steel	Diffuser material:	Acrylic
Structure finish:	Chrome Black	Diffuser finish:	White

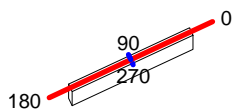
GEAR

Gear included: Yes, electronic

Luminaire		Measur.		Lamp		
Code	05-4362-21-05	Code	05-4361-21-05	Code	PL-L40W/840/4P	
Name	Aplique 1x40W 2G11 opal	Name	Aplique 1x40W 2G11 opal	Number	1	
Line	Eulumdat	Date	10-11-2010	Position		
Efficiency	14.71%	Coordinate system	CG	Total Flux	3500.00 lm	
Maximum value	130.06 cd	Position	C=90.00 G=20.00	Sym. on planes	270-90	
Rectangular Luminaire	Length	40 mm	Width	650 mm	Height	70 mm
Rectangular Luminous Area	Length	40 mm	Width	500 mm	Height	69 mm
Horizontal Luminous Area	0.020000 m2	Emitting area on Plane 180°		0.002800 m2		
Emitting area on Plane 0°	0.002800 m2	Emitting area on Plane 270°		0.035000 m2		
Emitting area on Plane 90°	0.035000 m2	Glare area at 76°		0.007555 m2		
Symmetry Type	Sym. on planes 270-90	Maximum Gamma Angle		180		
Measurement Distance	0.00	Measurement Flux		3500.00 lm		
Operator	Asselum	Source voltage				
Temperature	25.00 °C	Source current				
Humidity	60.00 %	Photocell				
Notes						

Luminaire Lamps					
Line	Code	Name	Flux [lm]	Pow. [W]	Q.ty
Eulumdat	PL-L40W/840/4P	PL-L40W/840/4P - 40.00 W	3500.00	40.00	1
C.I.E.	46 75 92 62 15	D DIN 5040			
F UTE	0.09 E + 0.06 T	B NBN		B31	BZ 5

40mm x 650mm



C Halfplanes

270.0 — (blue line)

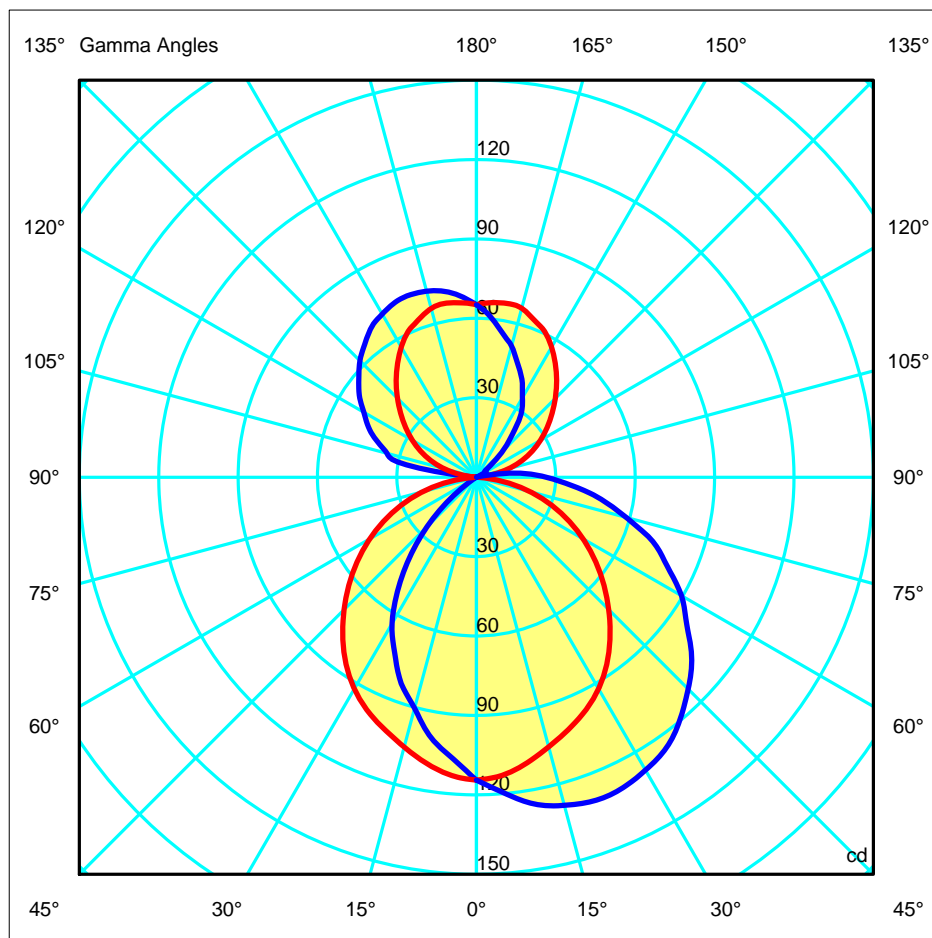
180.0 — (red line) 0.0

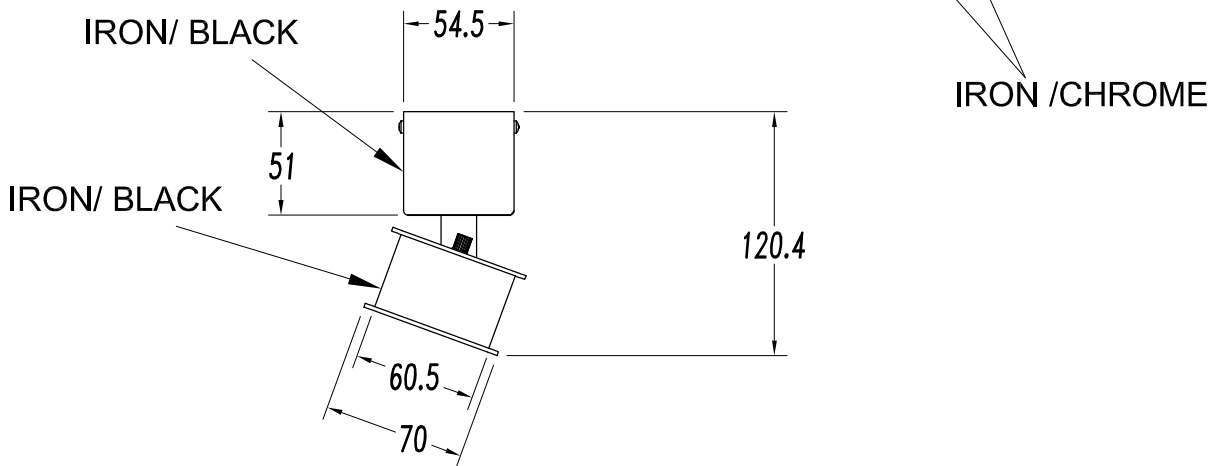
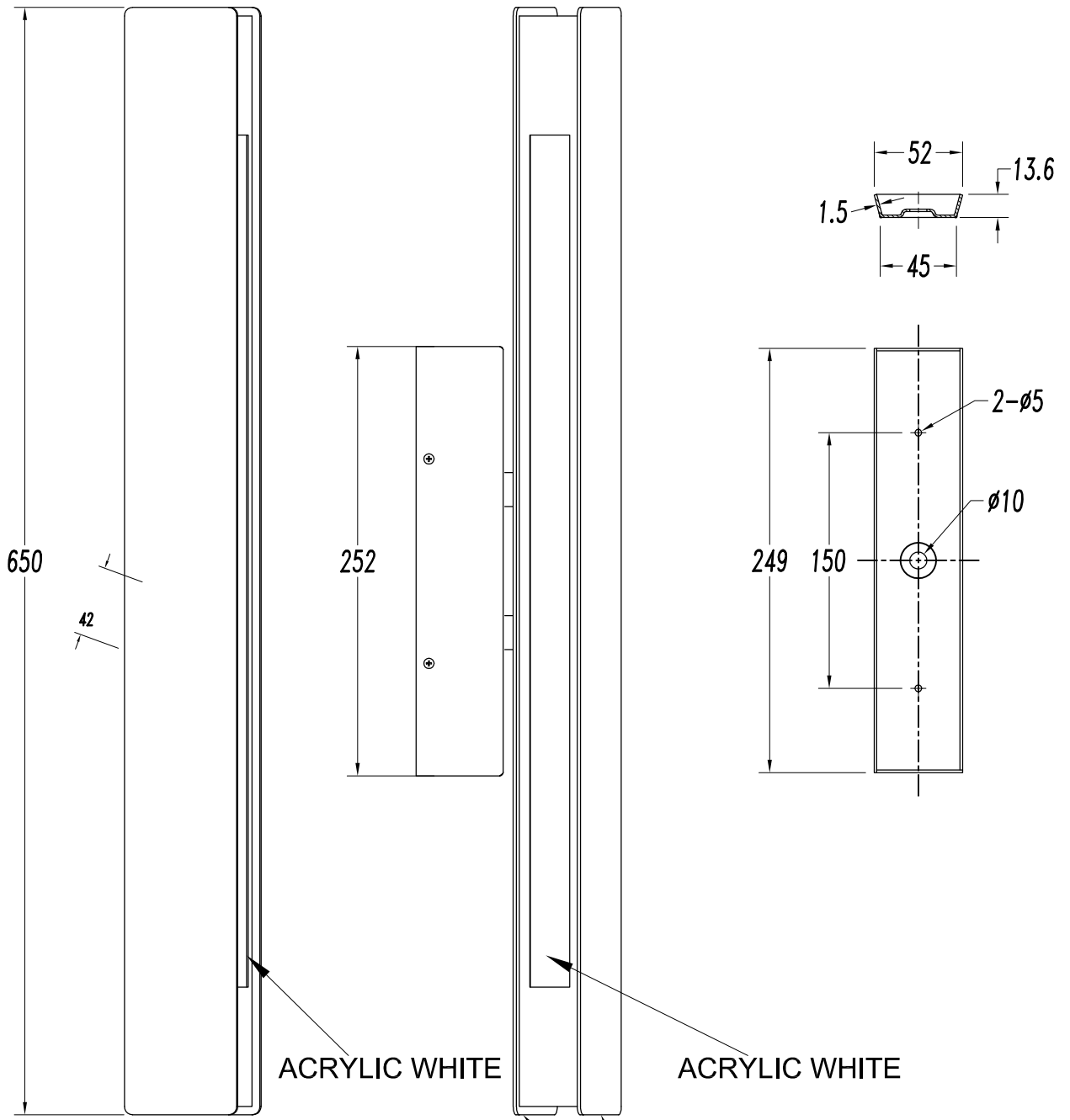
 — (blue line) 90.0

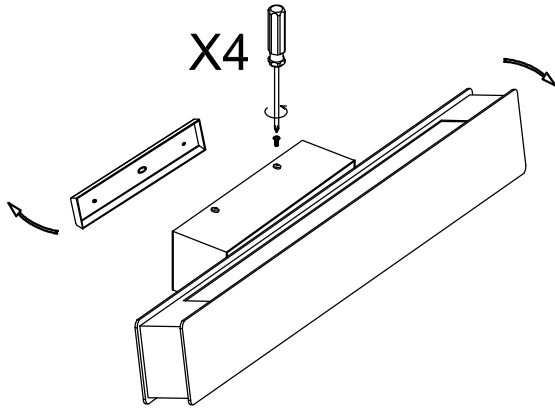
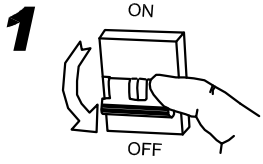
ULOR 5.57 %

DLOR 9.14 %

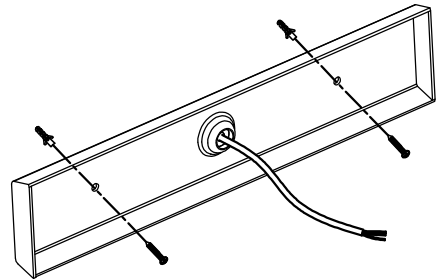
RN 37.85 %



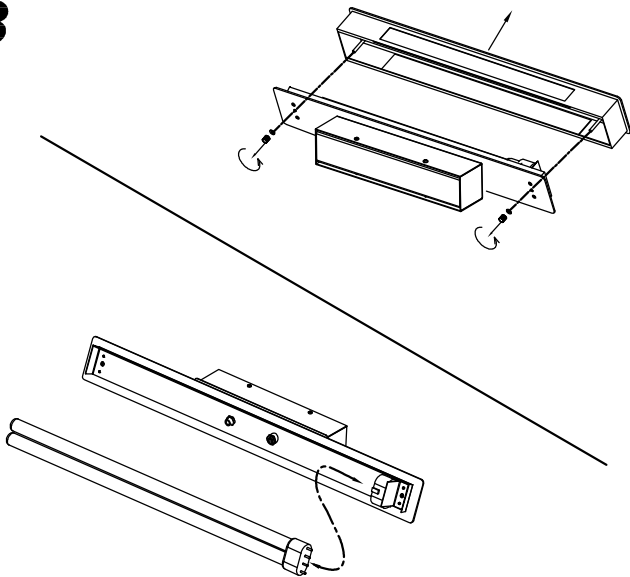




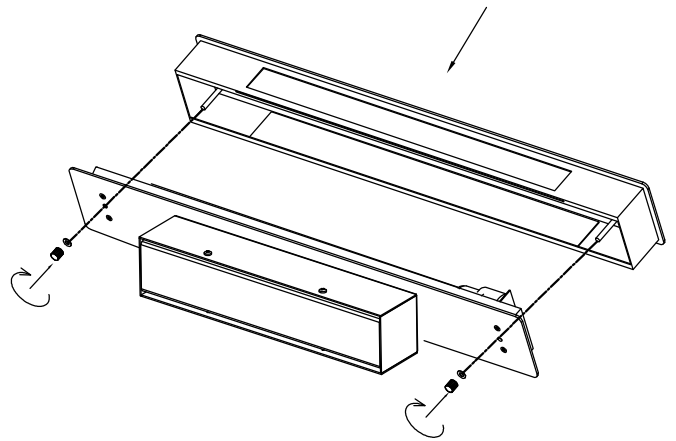
2



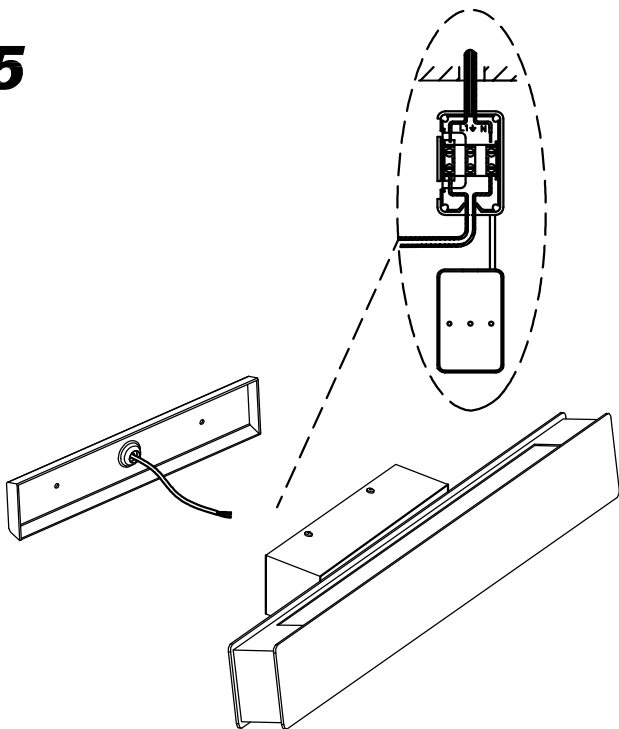
3



4



5



6

