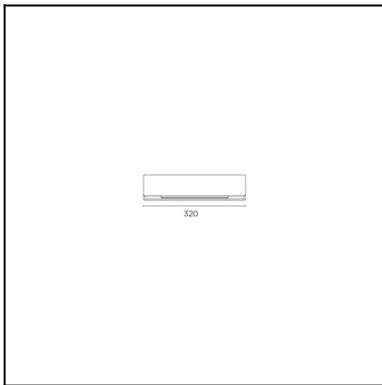


Design by Francesc Vilaró

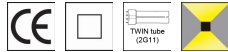


The photograph may not match the reference exactly. Please read the product description to identify the finish.



TECHNICAL CHARACTERISTICS

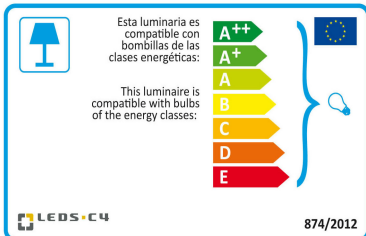
Type:	Wall fixture
IP Protection degrees:	IP44
Light source 1:	1 x 2G11 18W
Voltage / Frequency:	220-240V/50-60Hz
Warranty (Years):	2
Units per box:	6
Net Weight (Kg):	1.535
EAN:	8435111080498



MATERIALS / FINISHES

Structure material:	Steel	Diffuser material:	Acrylic
Structure finish:	Chrome Black	Diffuser finish:	White

Download photometric file .ldt / .ies



Click on image to download energy label

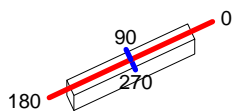
GEAR

Gear included: Yes, electronic

Luminaire		Measur.		Lamp		
Code	05-4361-21-05	Code	05-4361-21-05	Code	PL-L18W/840/4P	
Name	Aplique 1x18W 2G11 opal	Name	Aplique 1x18W 2G11 opal	Number	1	
Line	Eulumdat	Date	10-11-2010	Position		
Efficiency	14.71%	Coordinate system	CG	Total Flux	1200.00 lm	
Maximum value	44.59 cd	Position	C=90.00 G=20.00	Sym. on planes	270-90	
Rectangular Luminaire	Length	40 mm	Width	320 mm	Height	70 mm
Rectangular Luminous Area	Length	40 mm	Width	210 mm	Height	70 mm
Horizontal Luminous Area	0.008400 m2	Emitting area on Plane 180°	0.002800 m2			
Emitting area on Plane 0°	0.002800 m2	Emitting area on Plane 270°	0.014700 m2			
Emitting area on Plane 90°	0.014700 m2	Glare area at 76°	0.004749 m2			
Symmetry Type	Sym. on planes 270-90	Maximum Gamma Angle	180			
Measurement Distance	0.00	Measurement Flux	1200.00 lm			
Operator	Asselum	Source voltage				
Temperature	25.00 °C	Source current				
Humidity	60.00 %	Photocell				
Notes						

Luminaire Lamps					
Line	Code	Name	Flux [lm]	Pow. [W]	Q.ty
Eulumdat	PL-L18W/840/4P	PL-L18W/840/4P - 18.00 W	1200.00	18.00	1
C.I.E.	46 75 92 62 15	D DIN 5040	B31		
F UTE	0.09 E + 0.06 T	B NBN	BZ 5		

40mm x 320mm



C Halfplanes

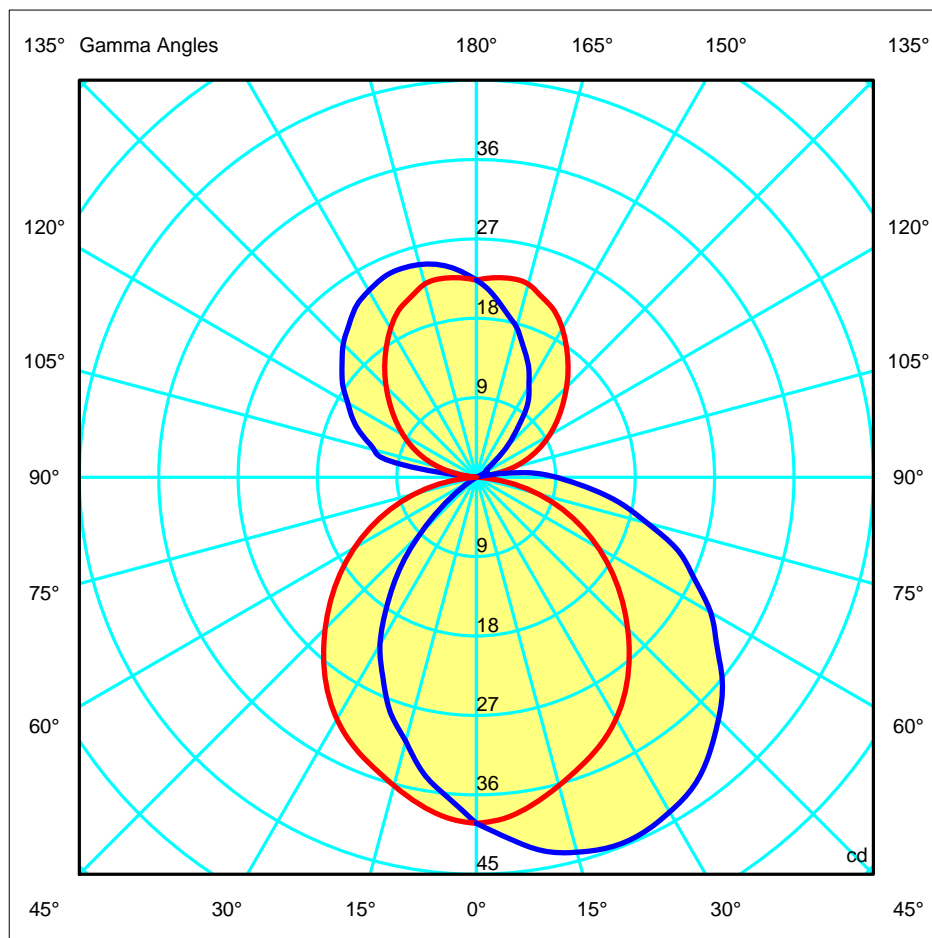
270.0 ———— 0.0

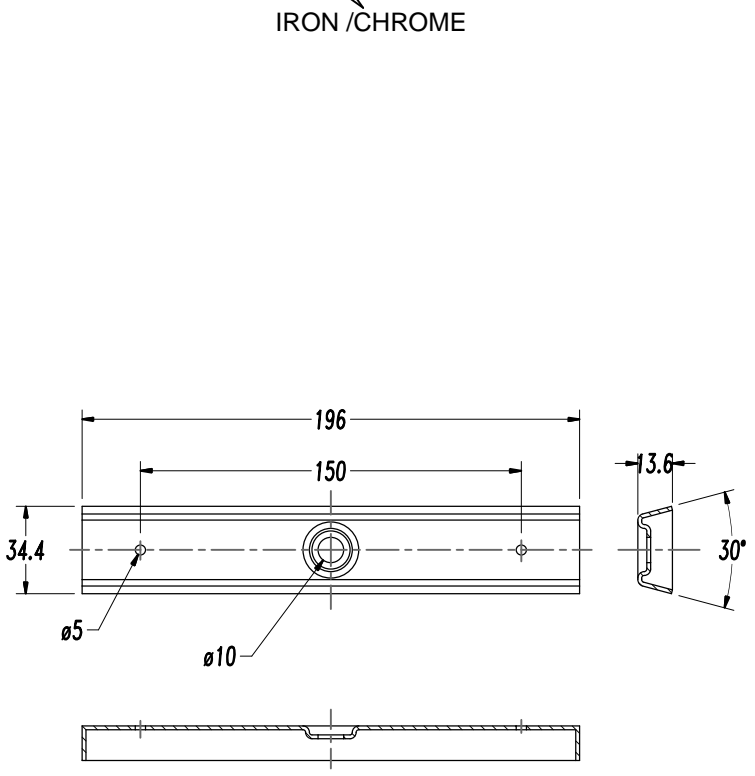
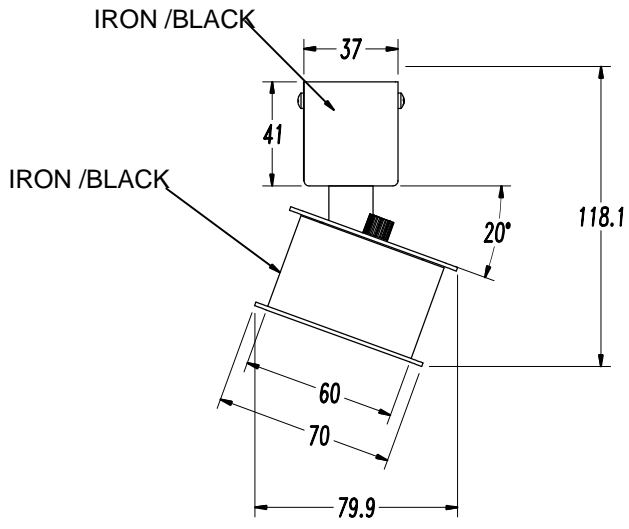
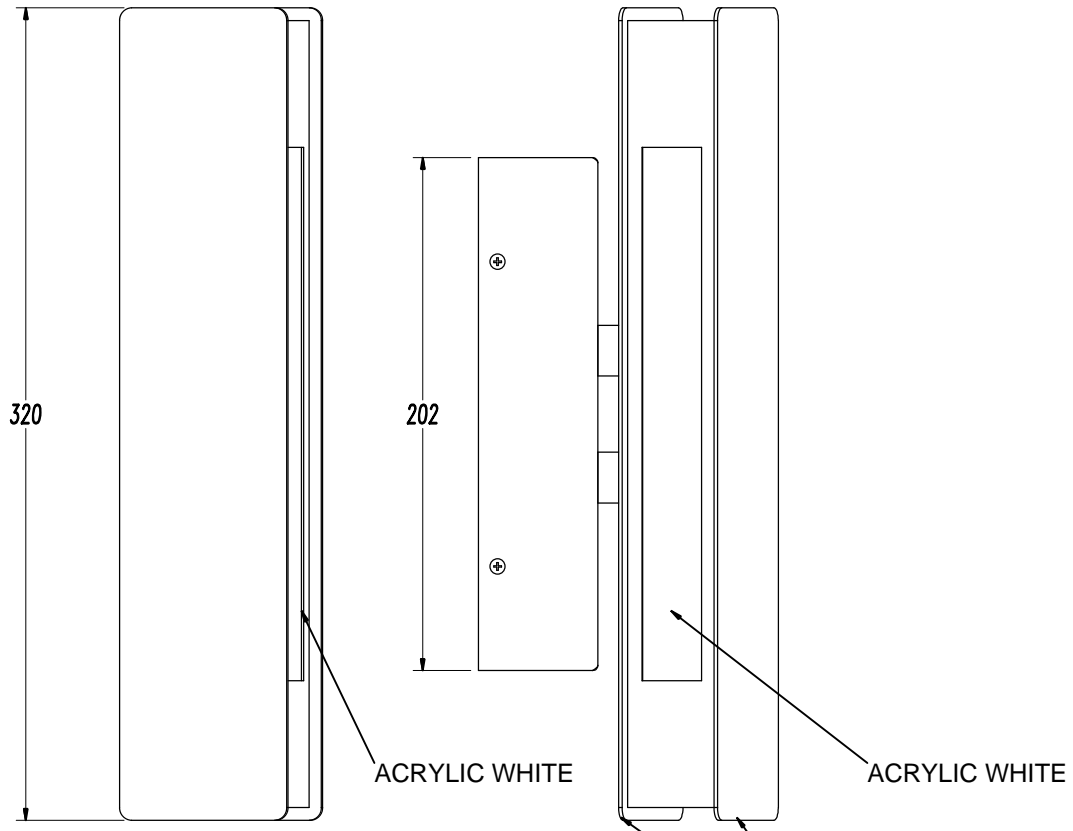
180.0 ———— 90.0

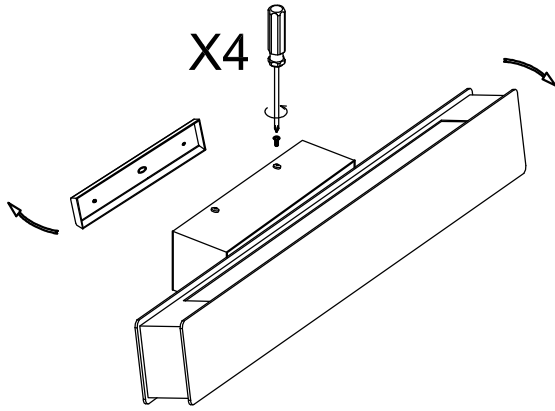
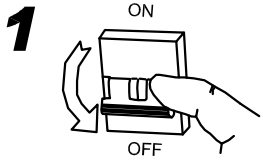
ULOR 5.57 %

DLOR 9.14 %

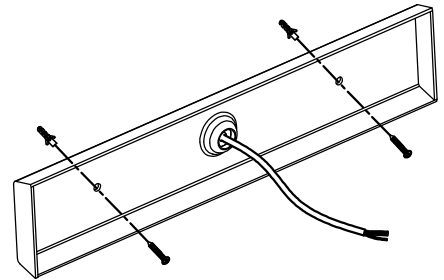
RN 37.85 %



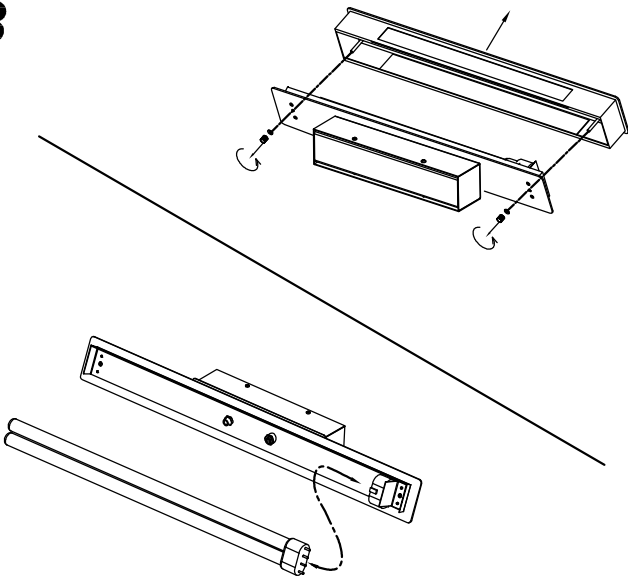




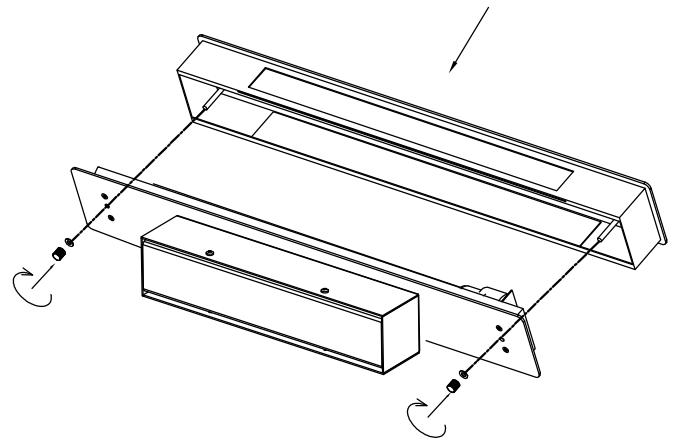
2



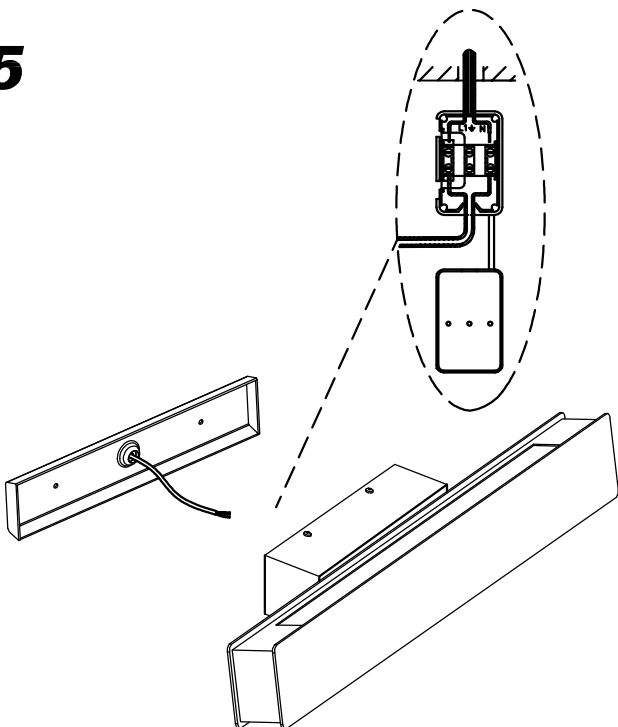
3



4



5



6

