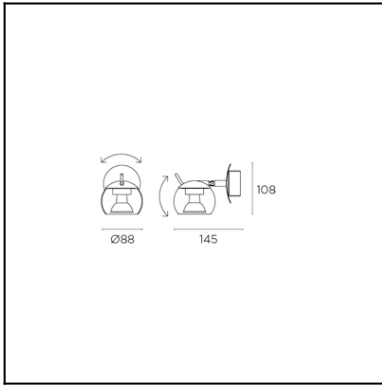




**Design by Estudi Ribaudí**

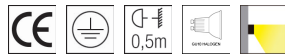


The photograph may not match the reference exactly. Please read the product description to identify the finish.



**TECHNICAL CHARACTERISTICS**

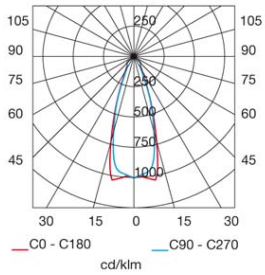
Type:	Wall fixture
IP Protection degrees:	IP20
Light source 1:	1 x GU10 MAX 50W
Total power consumption (W):	50
Voltage / Frequency:	220-240V/50-60Hz
Warranty (Years):	2
Units per box:	12
Net Weight (Kg):	0.35
EAN:	8435111073810



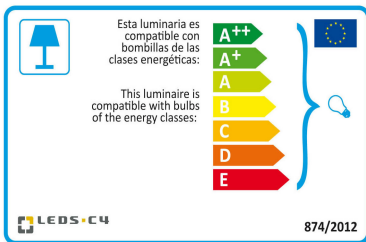
**MATERIALS / FINISHES**

<b>Structure material:</b>	Steel	<b>Diffuser material:</b>	Glass
<b>Structure finish:</b>	Chrome	<b>Diffuser finish:</b>	Transparent

Nok collection



Download photometric file .ldt /.ies

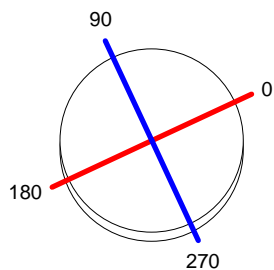


Click on image to download energy label

<b>Luminaire</b>		<b>Measur.</b>		<b>Lamp</b>	
Code	05-4351-21-37	Code	05-4351-21-37	Code	64824FL
Name	Aplique NOK 50W GU10	Name	Aplique NOK 50W GU10	Number	1
Line	Eulumdat	Date	22-03-2010	Position	
Efficiency	99.12%	Coordinate system	CG	Total Flux	536.00 lm
Maximum value	1036.46 cd	Position	C=0.00 G=10.00	Double Symmetrical	
Round Luminaire	Diam.	88 mm	Height	80 mm	
Round Luminous Area	Diam.	88 mm	Height	80 mm	
Horizontal Luminous Area	0.006082 m2	Emitting area on Plane 180°	0.007040 m2		
Emitting area on Plane 0°	0.007040 m2	Emitting area on Plane 270°	0.007040 m2		
Emitting area on Plane 90°	0.007040 m2	Glare area at 76°	0.008302 m2		
Symmetry Type	Double Symmetrical	Maximum Gamma Angle	180		
Measurement Distance	0.00	Measurement Flux	536.00 lm		
Operator	Asselum	Source voltage			
Temperature	25.00 °C	Source current			
Humidity	60.00 %	Photocell			
Notes					

Luminaire Lamps					
Line	Code	Name	Flux [lm]	Pow. [W]	Q.ty
Eulumdat	64824FL	64824FL - 50.00 W	536.00	50.00	1
C.I.E.	83 97 99 99 99	D DIN 5040		A61	
F UTE	0.98 B + 0.01 T	B NBN		BZ 1	

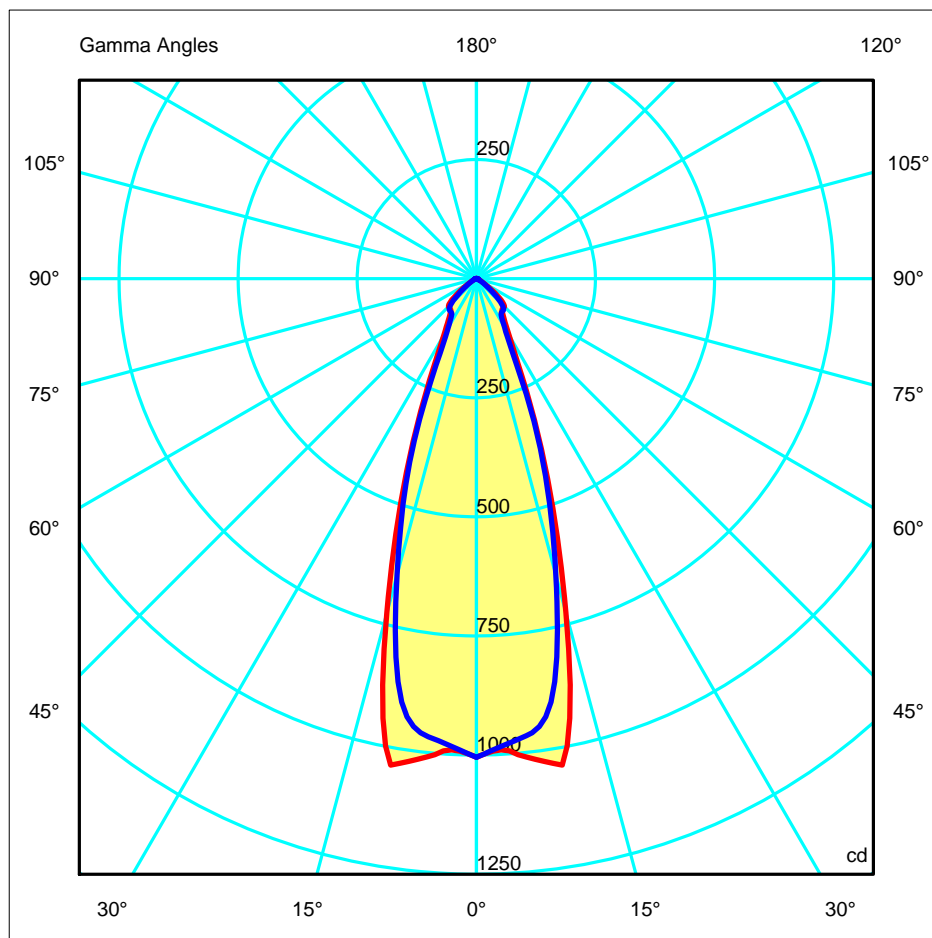
Diam=88mm

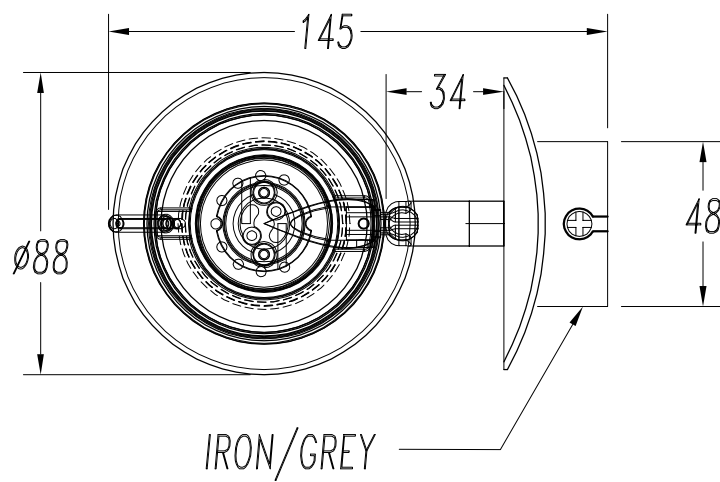
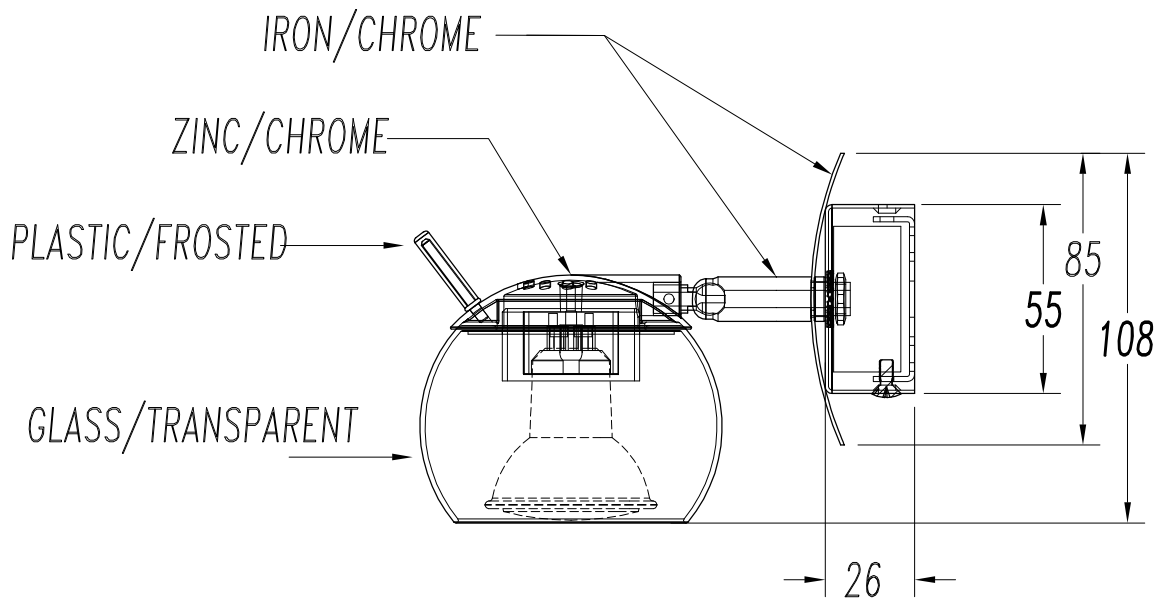
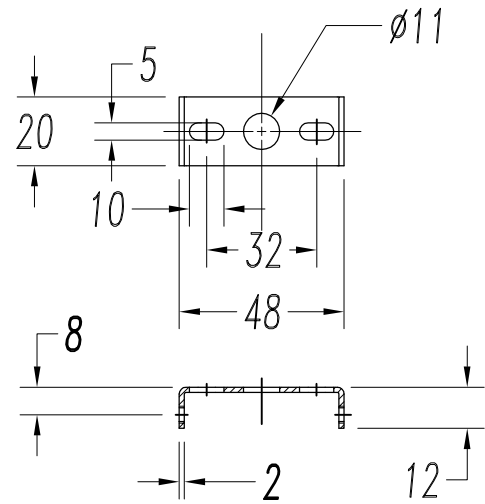


C Halfplanes

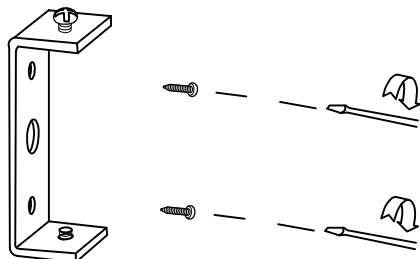
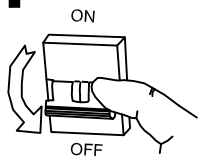
180.0 — 0.0  
270.0 — 90.0

ULOR 1.23 %  
DLOR 97.89 %  
RN 1.24 %

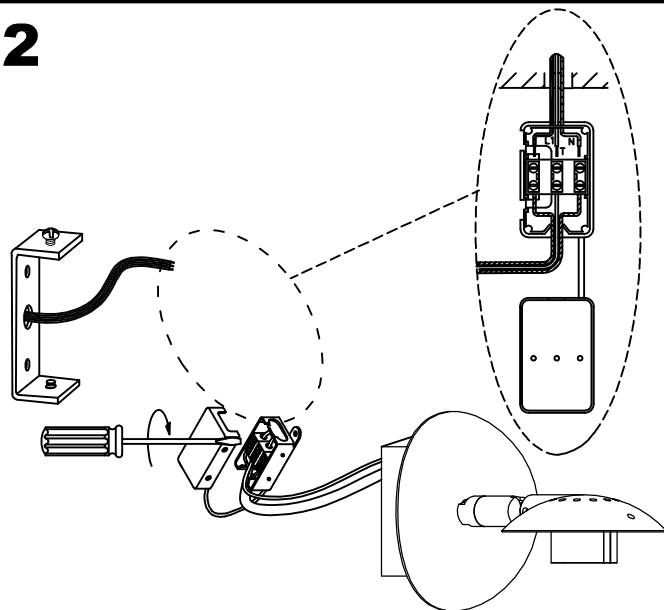




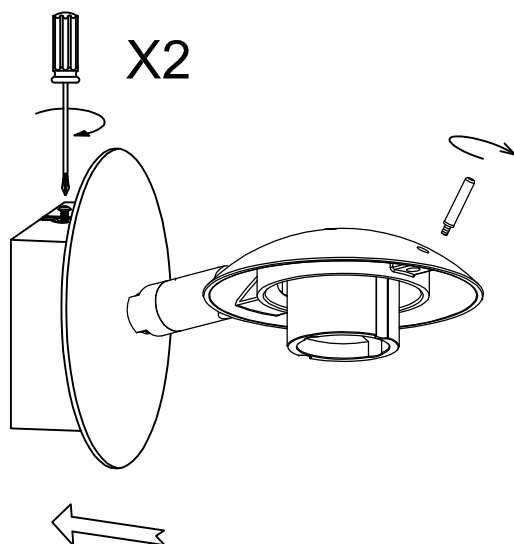
**1**



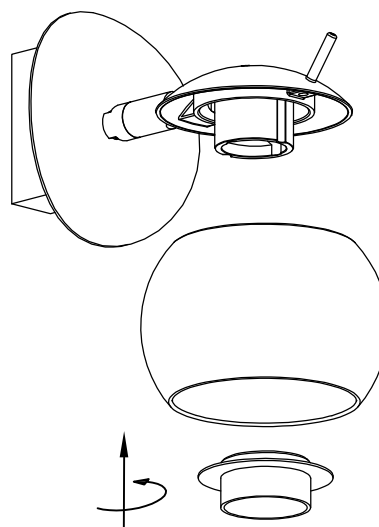
**2**



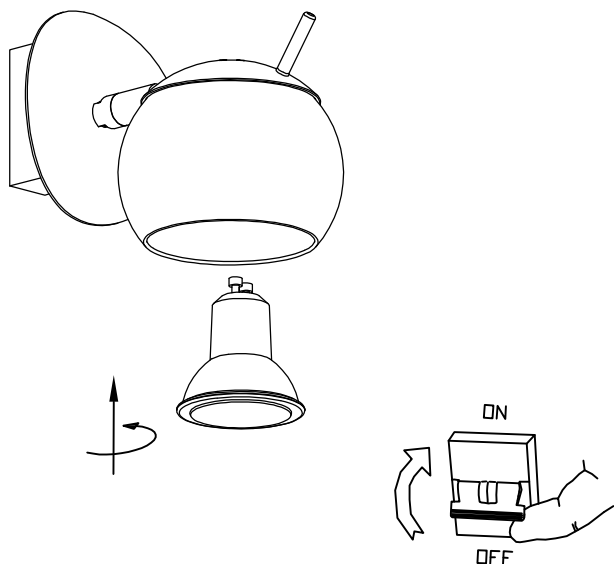
**3**



**4**



**5**



**6**

