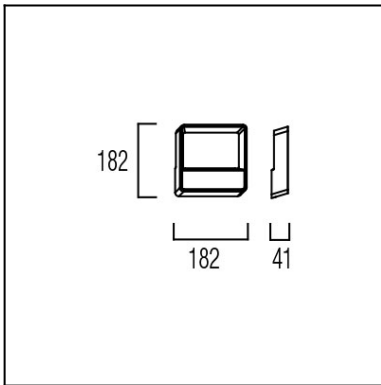


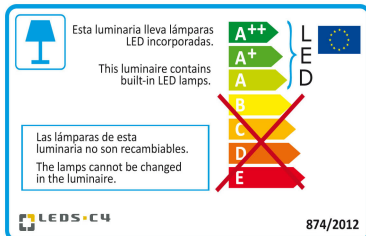
Design by Francesc Vilaró



The photograph may not match the reference exactly. Please read the product description to identify the finish.



[Download photometric file .ldt / .ies](#)



[Click on image to download energy label](#)

TECHNICAL CHARACTERISTICS

Type:	Wall fixture
IP Protection degrees:	IP20
Light source 1:	1 x LED 3,4W Warm White - 3000K 326 lm ^(N) CRI 80
Voltage / Frequency:	100-240V/50-60Hz
Warranty (Years):	2
Option to extend the guarantee (Years):	5
Units per box:	12
Net Weight (Kg):	0.73
EAN:	8435381414818



MATERIALS / FINISHES

Structure material:	Aluminium	Diffuser material:	Methacrylate
Structure finish:	Matt white	Diffuser finish:	Opal

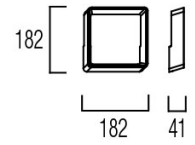
GEAR

Multi-voltage electronic gear included (100-240V / 50-60Hz)

71-3544-BW-BW



Structure material: Aluminium
Structure finish: Matt white
Diffuser material: Methacrylate
Diffuser finish: Opal

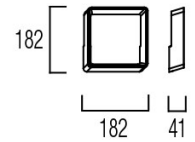


IP20

71-3544-25-25



Structure material: Aluminium
Structure finish: Red
Diffuser material: Methacrylate
Diffuser finish: Opal

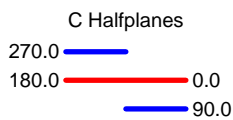
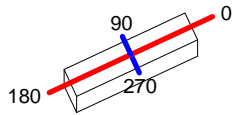


IP20

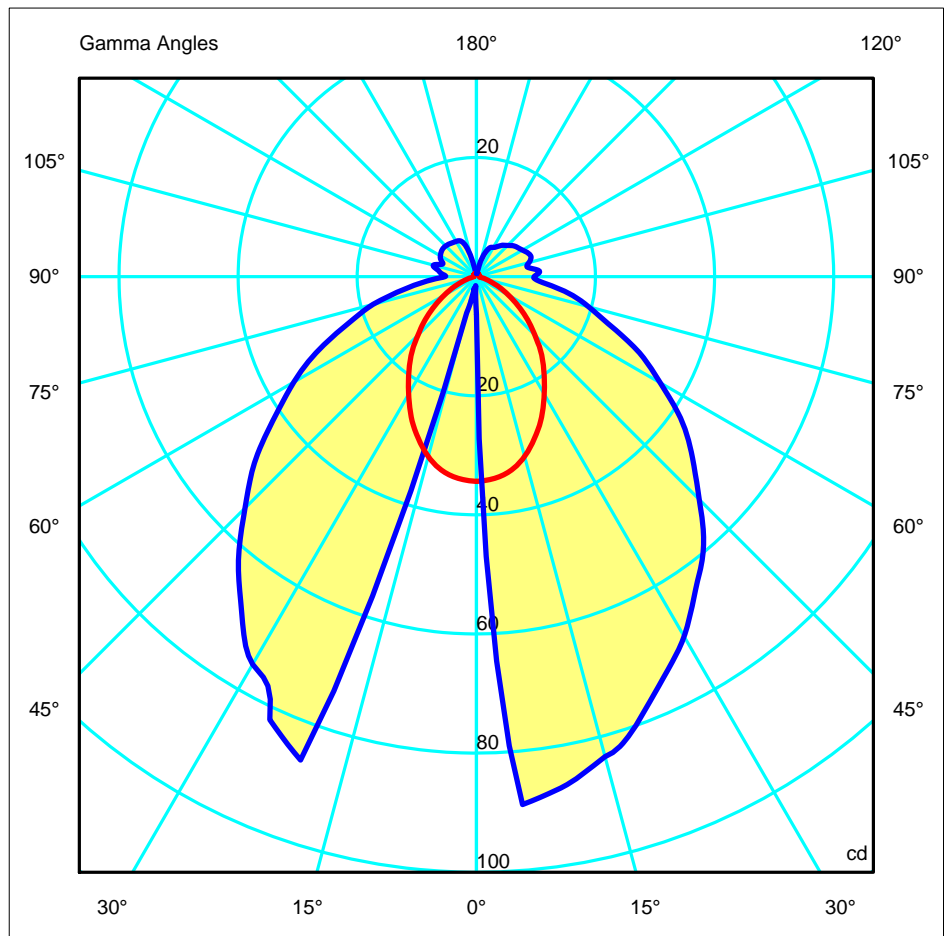
Luminaire		Measur.		Lamp		
Code	05-3544-25-25	Code	05-3544-BW-BW	Code	05-3544-BW-BW	
Name	Aplique CELL ME rojo 3.4W	Name	Aplique CELL ME rojo 3.4W	Number	1	
Line	Eulumdat	Date	08-07-2014	Position		
Efficiency	100.00%	Coordinate system	CG	Total Flux	226.71 lm	
Maximum value	89.23 cd	Position	C=45.00 G=5.00	Sym. on planes	270-90	
Rectangular Luminaire	Length	40 mm	Width	180 mm	Height	180 mm
Rectangular Luminous Area	Length	12 mm	Width	125 mm	Height	0 mm
Horizontal Luminous Area	0.001500 m ²	Emitting area on Plane 180°	0.000000 m ²			
Emitting area on Plane 0°	0.000000 m ²	Emitting area on Plane 270°	0.000000 m ²			
Emitting area on Plane 90°	0.000000 m ²	Glare area at 76°	0.000363 m ²			
Symmetry Type	Sym. on planes 270-90	Maximum Gamma Angle	180			
Measurement Distance	0.00	Measurement Flux	226.71 lm			
Operator	Asselum T2	Source voltage				
Temperature	25.00 °C	Source current				
Humidity	60.00 %	Photocell				
Notes						

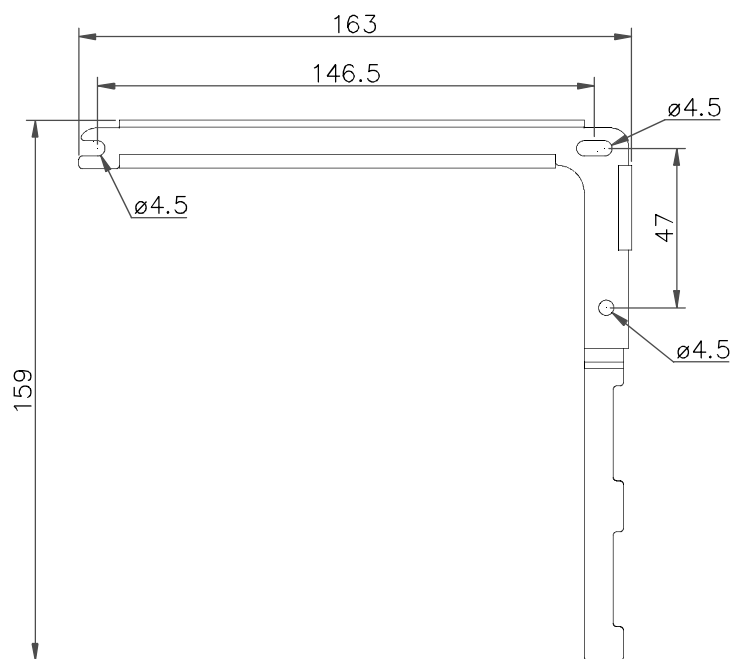
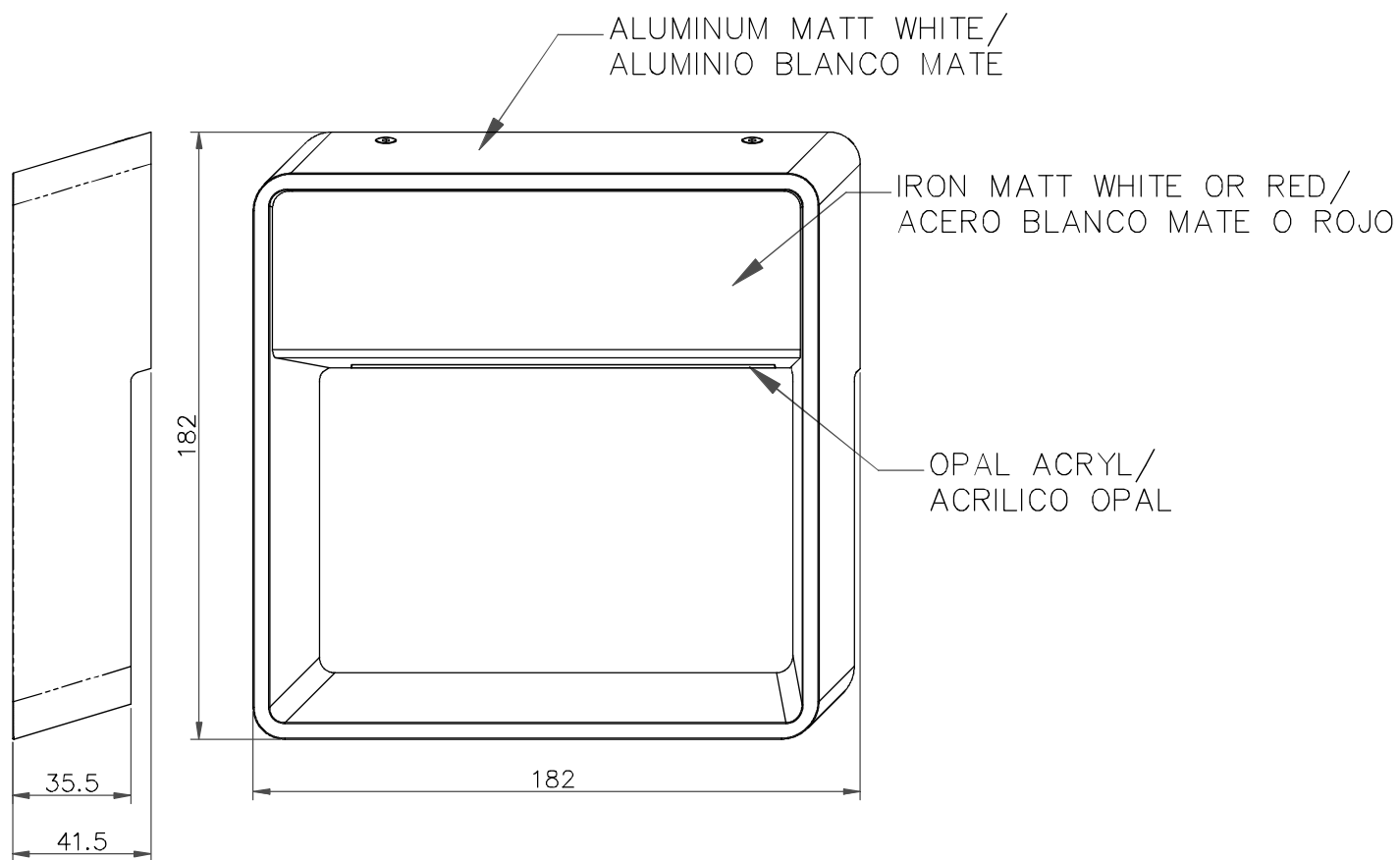
Luminaire Lamps					
Line	Code	Name	Flux [lm]	Pow. [W]	Q.ty
Eulumdat	05-3544-BW-BW	05-3544-BW-BW - 3.00 W	226.71	3.00	1
C.I.E.	43 74 92 83 100	D DIN 5040	B31		
F UTE	0.83 E + 0.17 T	B NBN	BZ 5		

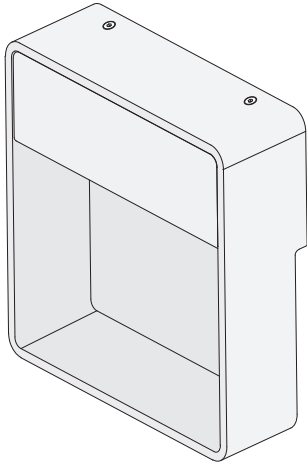
40mm x 180mm



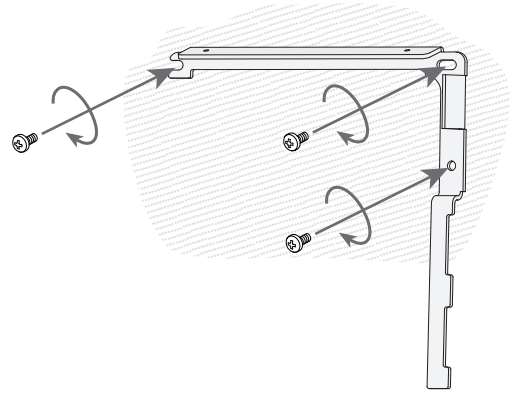
ULOR 17.17 %
 DLOR 82.83 %
 RN 17.17 %



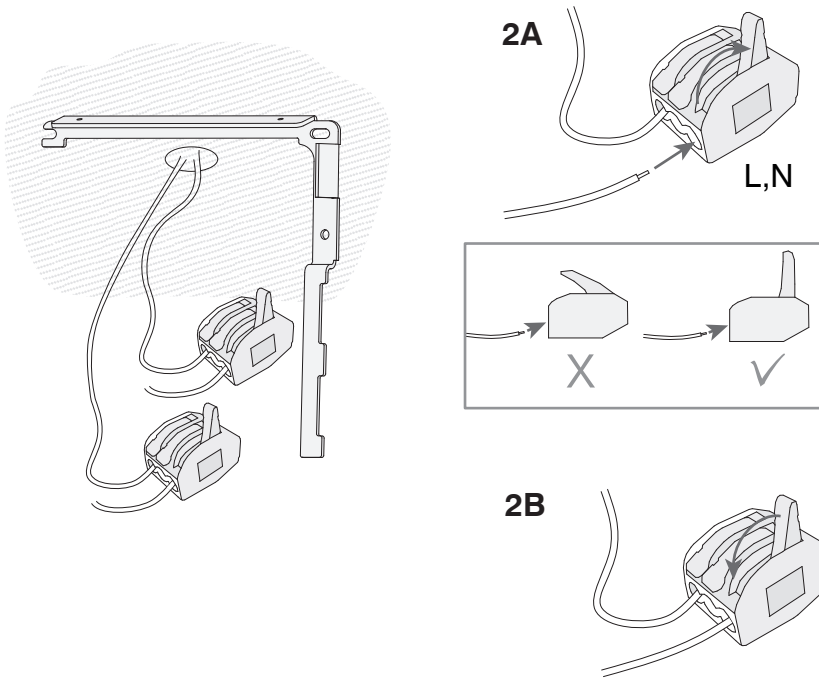




1



2

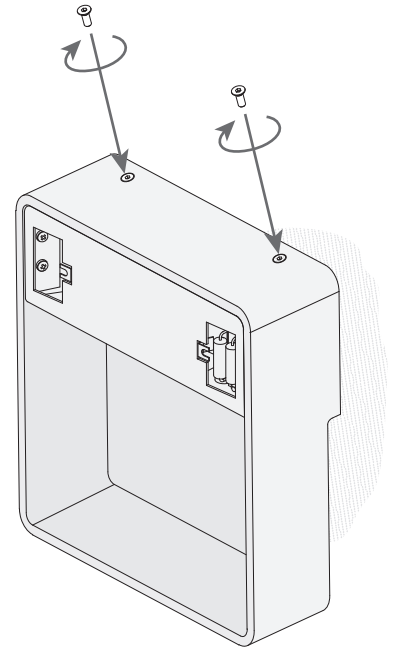


2A

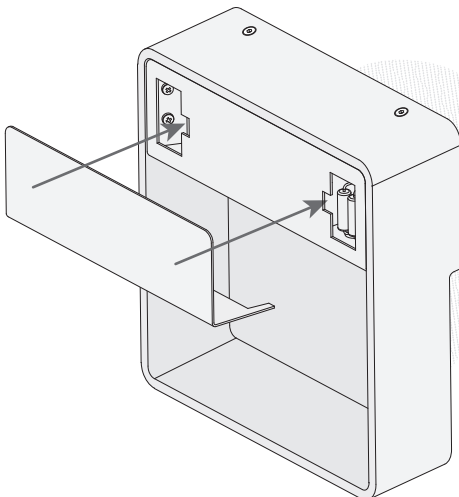
L,N

2B

3



4



5

