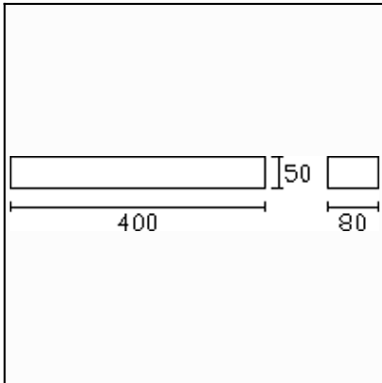


The photograph may not match the reference exactly. Please read the product description to identify the finish.


TECHNICAL CHARACTERISTICS

| | |
|---|---|
| Type: | Wall fixture |
| IP Protection degrees: | IP20 |
| Light source 1: | 24 x LED Seoul 7W Warm White - 3000K 713 lm ^(N) CRI 80 |
| Voltage / Frequency: | 100-240V/50-60Hz |
| Warranty (Years): | 2 |
| Option to extend the guarantee (Years): | 5 |
| Units per box: | 6 |
| Net Weight (Kg): | 1.01 |
| EAN: | 8435381410568 |


MATERIALS / FINISHES

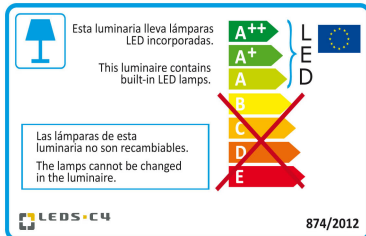
Structure material: Steel
Structure finish: Matt white

Diffuser material: Polycarbonate
Diffuser finish: Matt opal

GEAR

Multi-voltage electronic gear included (110-240 V / 50-60 Hz)

[Download photometric file .ldt / .ies](#)

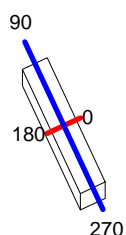


[Click on image to download energy label](#)

| | | | | | | |
|----------------------------|------------------|-----------------------------|-------------------|--------------|-----------|-------|
| Luminaire | | Measur. | | Lamp | | |
| Code | 05-2704 | Code | 05-2704 | Code | LED | |
| Name | LED CEILING LAMP | Name | LED CEILING LAMP | Number | 1 | |
| Line | Eulumdat | Date | 22-05-2014 | Position | | |
| Efficiency | 61.22% | Coordinate system | CG | Total Flux | 522.00 lm | |
| Maximum value | 117.42 cd | Position | C=210.00 G=134.00 | Asymmetrical | | |
| Rectangular Luminaire | Length | 400 mm | Width | 80 mm | Height | 50 mm |
| Rectangular Luminous Area | Length | 400 mm | Width | 80 mm | Height | 49 mm |
| Horizontal Luminous Area | 0.032000 m2 | Emitting area on Plane 180° | | 0.020000 m2 | | |
| Emitting area on Plane 0° | 0.020000 m2 | Emitting area on Plane 270° | | 0.004000 m2 | | |
| Emitting area on Plane 90° | 0.004000 m2 | Glare area at 76° | | 0.027147 m2 | | |
| Symmetry Type | Asymmetrical | Maximum Gamma Angle | | 180 | | |
| Measurement Distance | 0.00 | Measurement Flux | | 522.00 lm | | |
| Operator | | Source voltage | | | | |
| Temperature | 25.00 °C | Source current | | | | |
| Humidity | 60.00 % | Photocell | | | | |
| Notes | | | | | | |

| Line | | Code | | Luminaire Lamps | | Flux [lm] | Pow. [W] | Q.ty |
|----------|----------------|------|--|-----------------|--|--------------------------------|----------|------|
| Eulumdat | | LED | | Name | | | | |
| | | | | LED - 7.60 W | | 522.00 | 7.60 | 1 |
| C.I.E. | 14 45 77 47 61 | | | D DIN 5040 | | | | |
| F UTE | -- | | | B NBN | | | | |
| | | | | | | C12 | | |
| | | | | | | BZ 10 / 1.25 / BZ 9 / 4 / BZ 8 | | |

400mm x 80mm



C Halfplanes

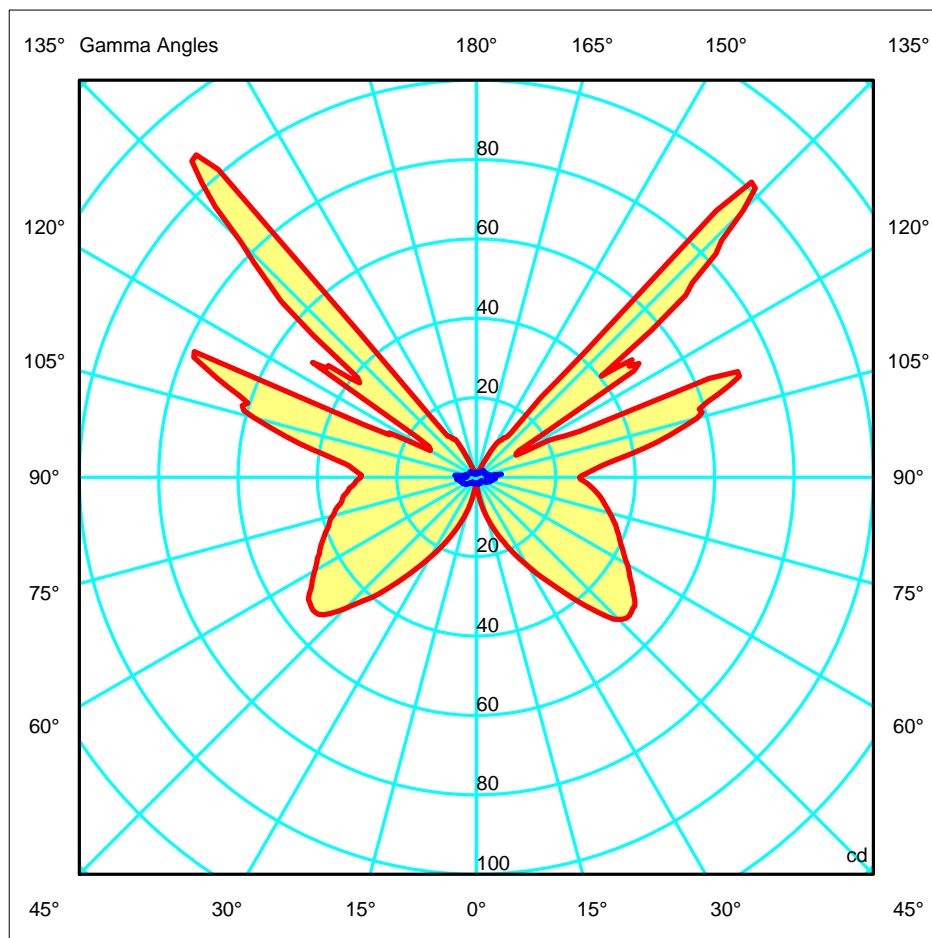
180.0 — 0.0

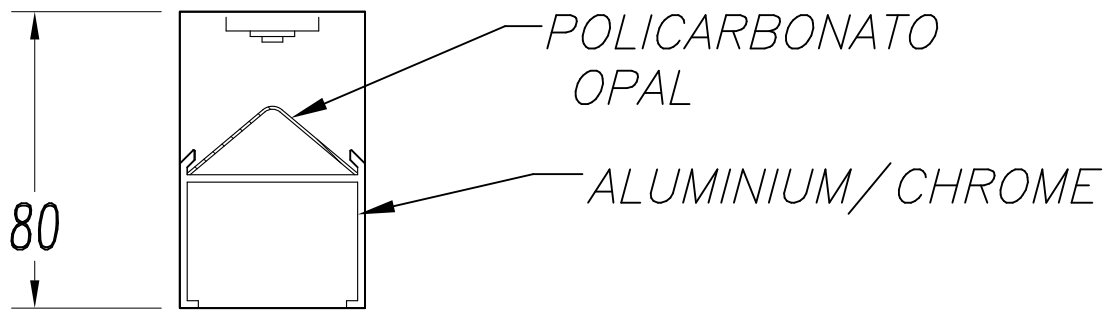
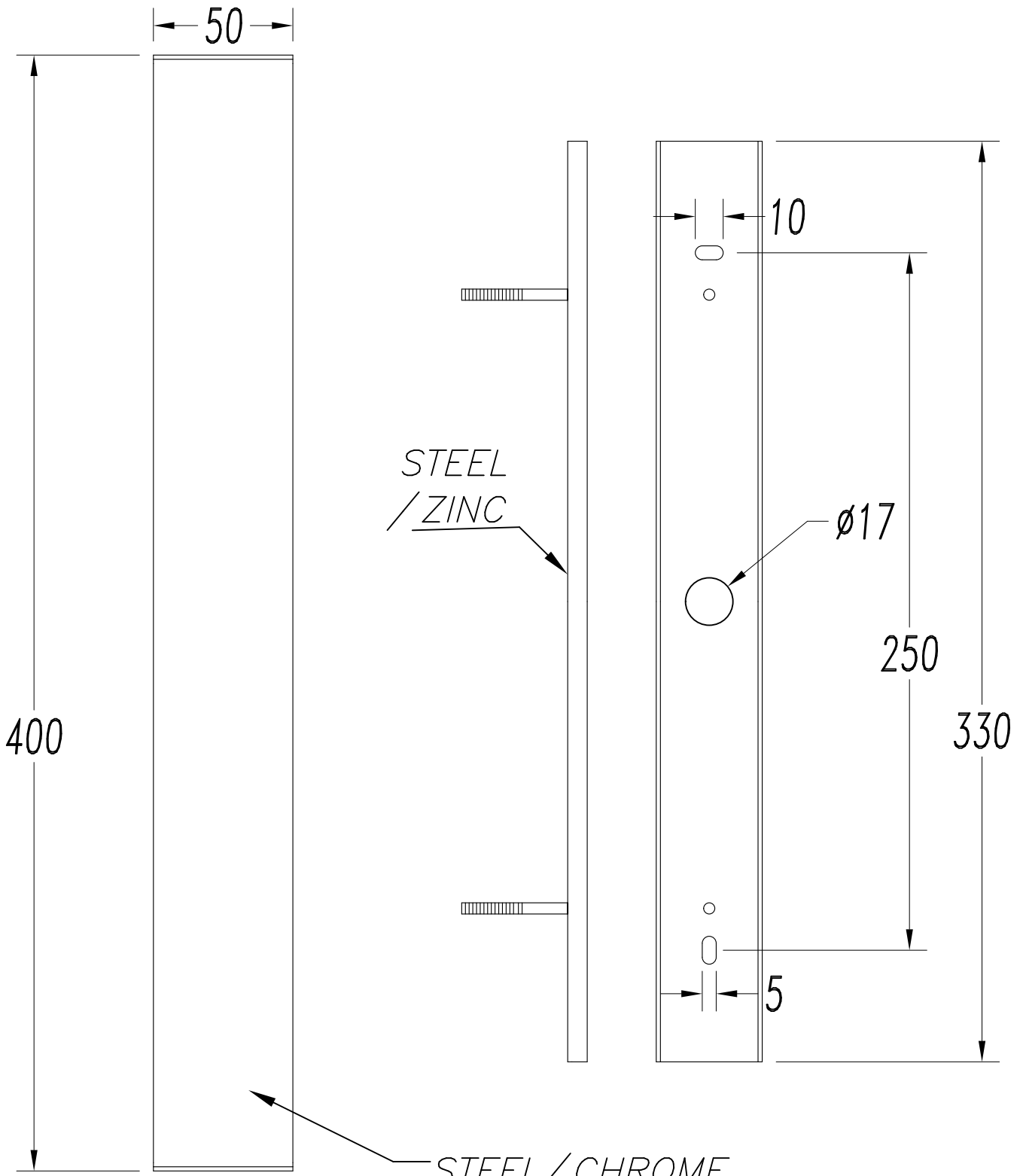
270.0 — 90.0

ULOR 32.62 %

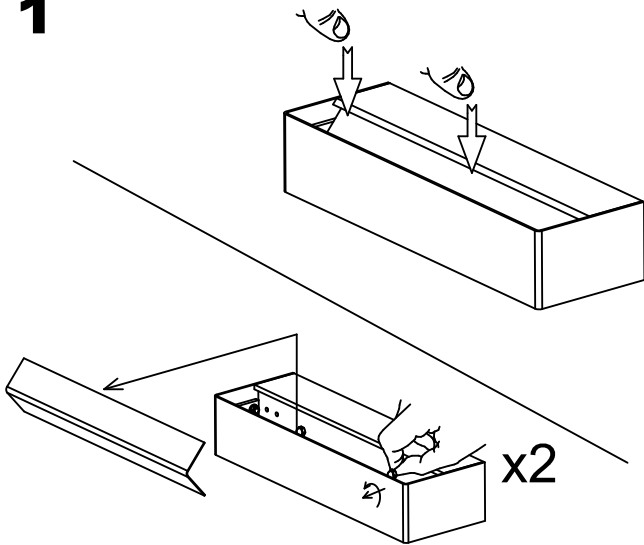
DLOR 28.60 %

RN 53.29 %

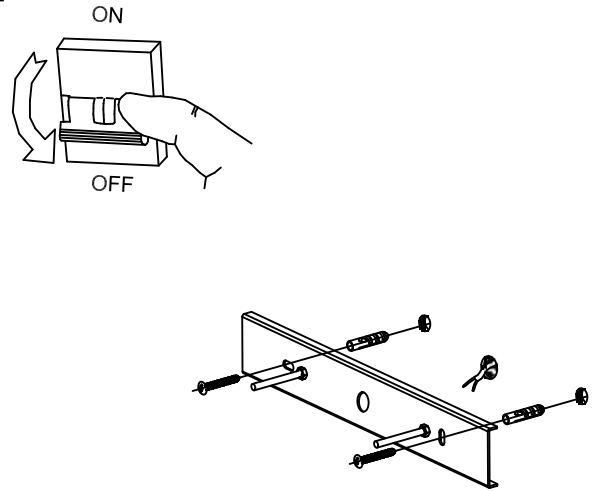




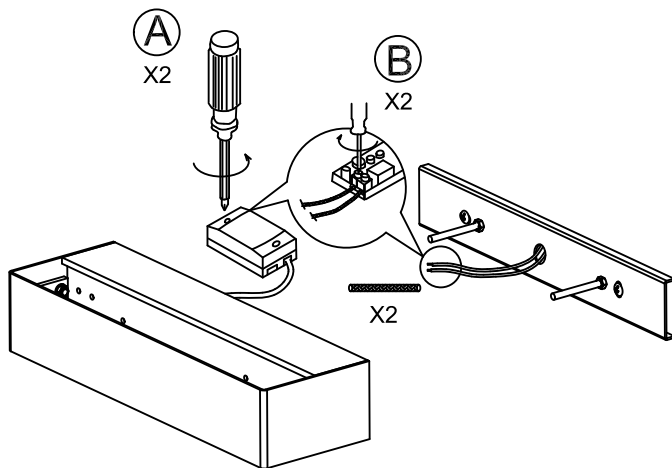
1



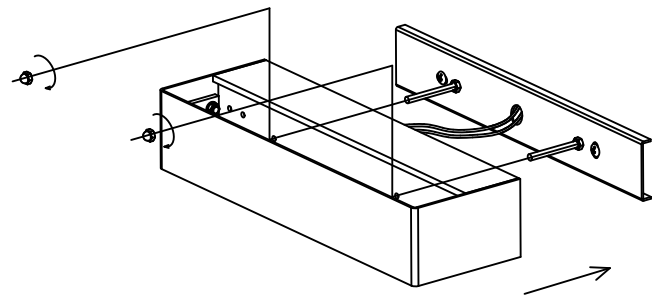
2



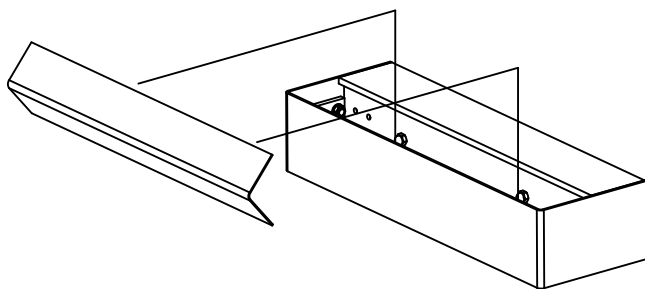
3



4



5



6

