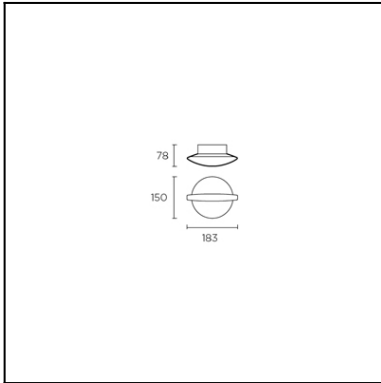
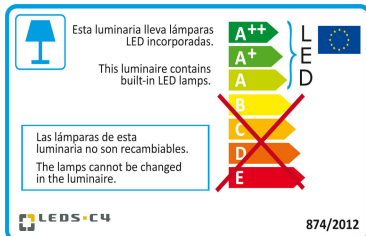


The photograph may not match the reference exactly. Please read the product description to identify the finish.



[Download photometric file .ldt / .ies](#)



[Click on image to download energy label](#)

TECHNICAL CHARACTERISTICS

Type:	Wall fixture
IP Protection degrees:	IP23
Light source 1:	1 x LED Citizen 4W Warm White - 3000K 380 lm ^(N) CRI 80
Voltage / Frequency:	100-240V/50-60Hz
Warranty (Years):	2
Option to extend the guarantee (Years):	5
Units per box:	12
Net Weight (Kg):	0.555
EAN:	8435381407070



MATERIALS / FINISHES

Structure material: Steel
Aluminium

Structure finish: Matt white

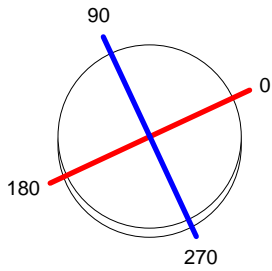
GEAR

Multi-voltage electronic gear included (110-240 V / 50-60 Hz)

Luminaire		Measur.		Lamp	
Code	05-2233-14-14	Code	15-2020-14-14	Code	15-2020-14-14
Name	Aplique 1 led 9W	Name	Aplique 1 led 9W	Number	1
Line	Eulumdat	Date	14-11-2013	Position	
Efficiency	100.00%	Coordinate system	CG	Total Flux	671.00 lm
Maximum value	182.23 cd	Position	C=0.00 G=0.00	Double Symmetrical	
Round Luminaire	Diam.	283 mm	Height	117 mm	
Round Luminous Area	Diam.	220 mm	Height	0 mm	
Horizontal Luminous Area	0.038013 m2	Emitting area on Plane 180°	0.000000 m2	Emitting area on Plane 270°	0.000000 m2
Emitting area on Plane 0°	0.000000 m2	Glare area at 76°	0.009196 m2		
Emitting area on Plane 90°	0.000000 m2				
Symmetry Type	Double Symmetrical	Maximum Gamma Angle	180	Measurement Flux	671.00 lm
Measurement Distance	0.00				
Operator	Asselum T2	Source voltage			
Temperature	25.00 °C	Source current			
Humidity	60.00 %	Photocell			
Notes					

Luminaire Lamps						
Line	Code	Name	Flux [lm]	Pow. [W]	Q.ty	
Eulumdat	15-2020-14-14	15-2020-14-14 - 9.00 W	671.00	9.00	1	
C.I.E.	43 74 94 78 100	D DIN 5040				B31
F UTE	0.78 E + 0.22 T	B NBN				BZ 5

Diam=283mm



C Halfplanes

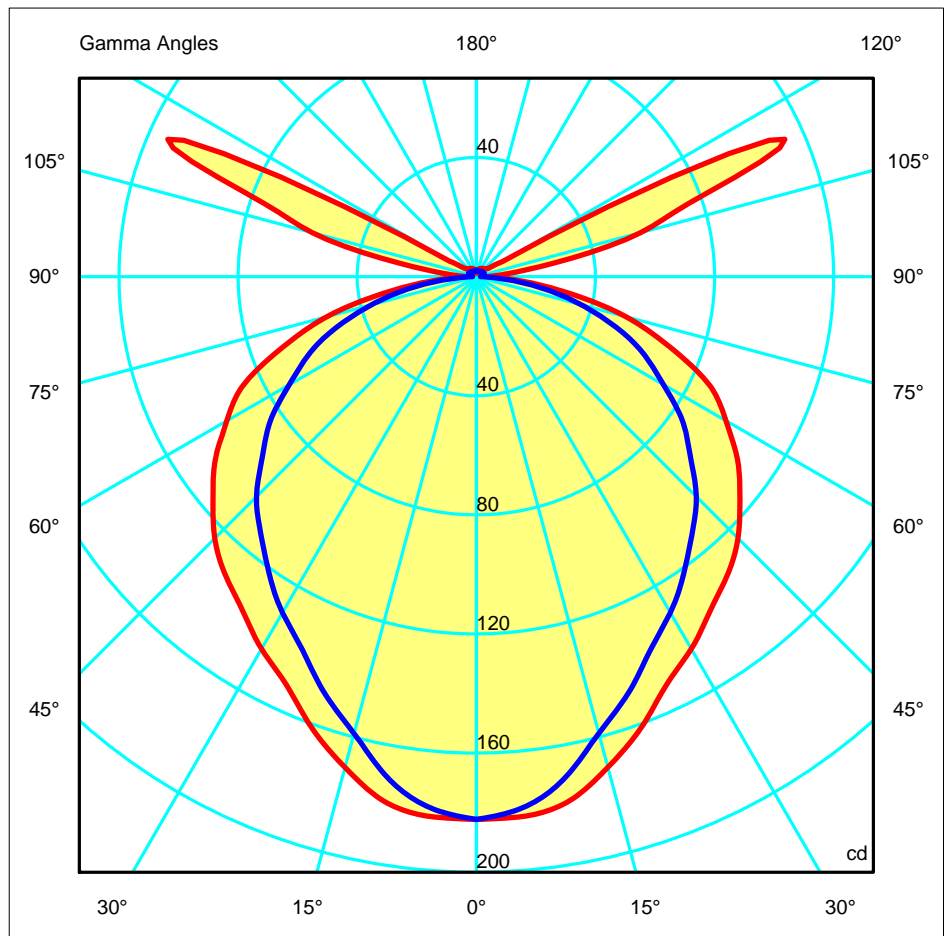
180.0 — 0.0 (Red line)

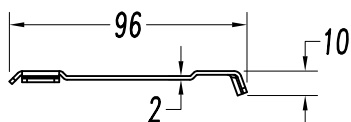
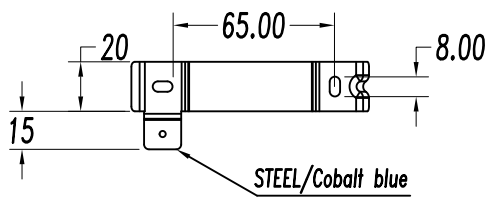
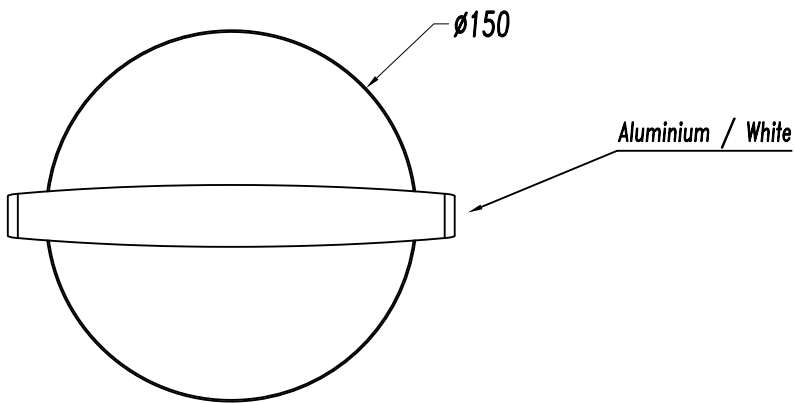
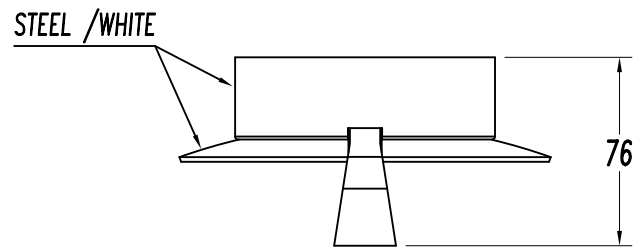
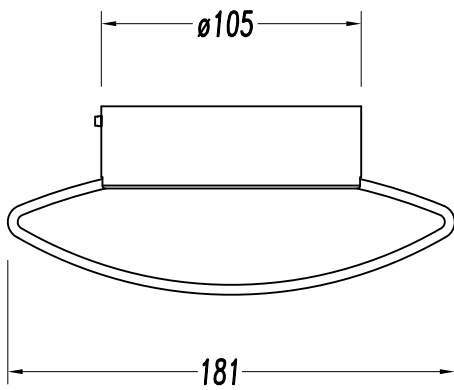
270.0 — 90.0 (Blue line)

ULOR 22.14 %

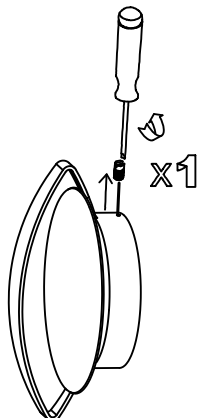
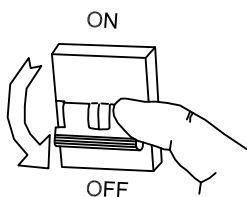
DLOR 77.86 %

RN 22.14 %

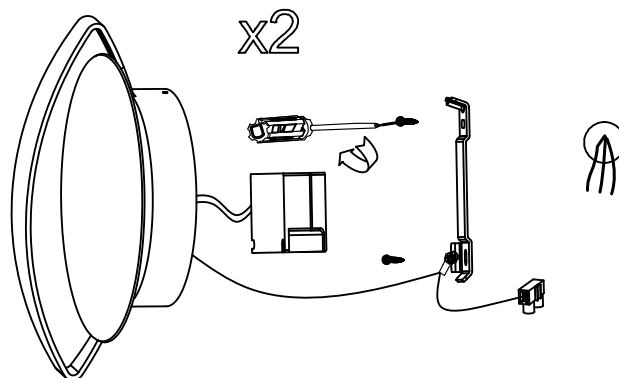




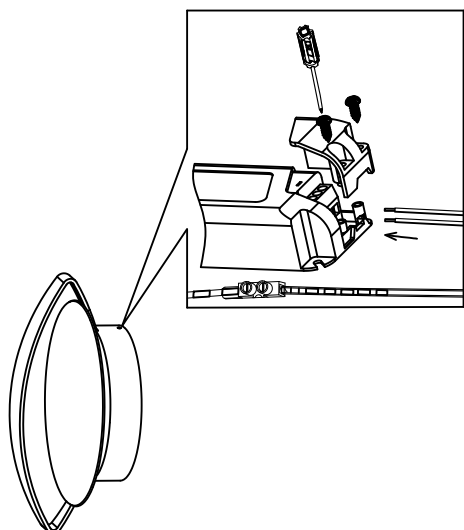
1



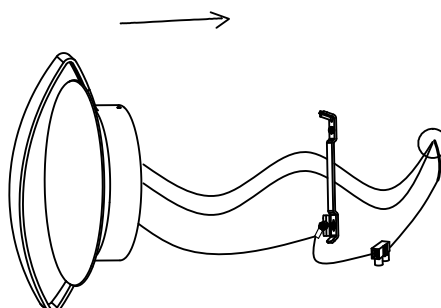
2



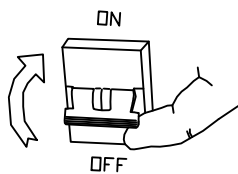
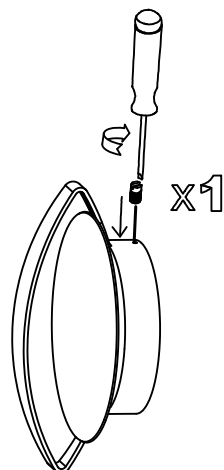
3



4



5



6

