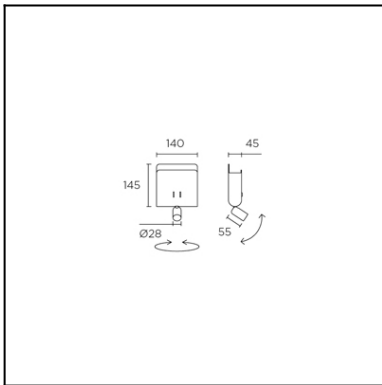
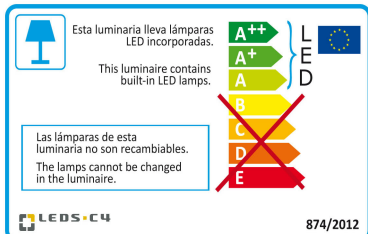
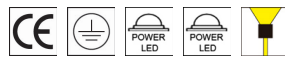


**Design by Nahrang Design**


The photograph may not match the reference exactly. Please read the product description to identify the finish.


[Download photometric file .ldt / .ies](#)

[Click on image to download energy label](#)
**TECHNICAL CHARACTERISTICS**

Type:	Wall fixture
Adjustable:	Adjustable 350° on the vertical axis. Adjustable from 0° to 90° on the horizontal axis
IP Protection degrees:	IP20
Light source 1:	1 x LED Cree 9W Warm White - 3000K 560 lm <sup>(N)</sup> CRI 82
Light source 2:	1 x LED Cree 1W Warm White - 3000K 107 lm <sup>(N)</sup> CRI 80
Total power consumption (W):	13
Angle of the optics / Reflector:	25°
Voltage / Frequency:	100-240V/50-60Hz
Warranty (Years):	2
Option to extend the guarantee (Years):	5
Units per box:	10
Net Weight (Kg):	0.77
EAN:	8435381404772


**MATERIALS / FINISHES**

<b>Structure material:</b>	Aluminium Steel	<b>Diffuser material:</b>	Glass
<b>Structure finish:</b>	Matt white	<b>Diffuser finish:</b>	Partly-sandblasted

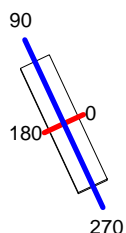
**GEAR**

Multi-voltage electronic gear included (110-240 V / 50-60 Hz)

<b>Luminaire</b>		<b>Measur.</b>		<b>Lamp</b>		
Code	05-2015-1	Code	APC-12-700	Code	LED	
Name	LED WALL LIGHT	Name	LED WALL LIGHT	Number	1	
Line	Eulumdat	Date	07-10-2013	Position		
Efficiency	100.00%	Coordinate system	CG	Total Flux	283.20 lm	
Maximum value	160.64 cd	Position	C=270.00 G=5.00	Asymmetrical		
Rectangular Luminaire	Length	116 mm	Width	27 mm	Height	1 mm
Rectangular Luminous Area	Length	116 mm	Width	27 mm	Height	0 mm
Horizontal Luminous Area	0.003132 m2	Emitting area on Plane 180°		0.000000 m2		
Emitting area on Plane 0°	0.000000 m2	Emitting area on Plane 270°		0.000000 m2		
Emitting area on Plane 90°	0.000000 m2	Glare area at 76°		0.000758 m2		
Symmetry Type	Asymmetrical	Maximum Gamma Angle		90		
Measurement Distance	0.00	Measurement Flux		283.20 lm		
Operator		Source voltage				
Temperature	25.00 °C	Source current				
Humidity	60.00 %	Photocell				
Notes						

Line		Code		Luminaire Lamps		Flux [lm]	Pow. [W]	Q.ty
Eulumdat		LED		Name				
				LED - 10.10 W		283.20	10.10	1
C.I.E.	66 89 97 100 100			D DIN 5040	A50			
F UTE	1.00 C			B NBN	BZ 2 / 1.25 / BZ 3			

116mm x 27mm



**C Halfplanes**

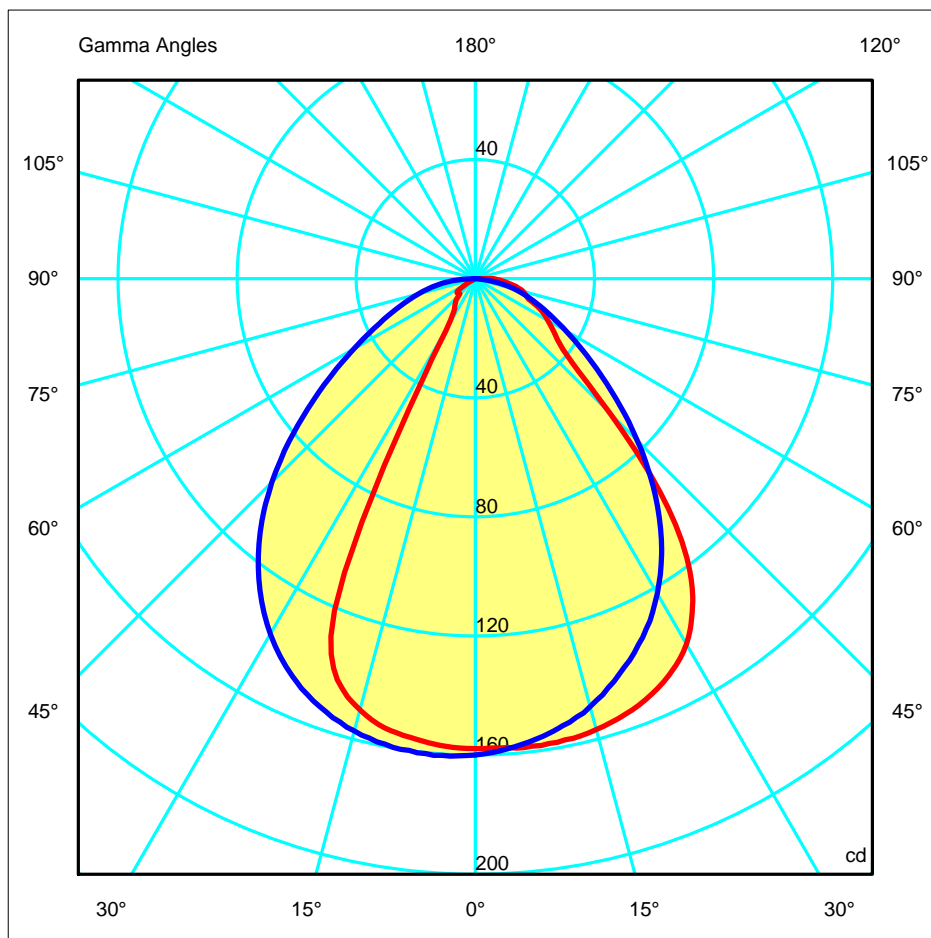
180.0 — 0.0 (Red line)

270.0 — 90.0 (Blue line)

ULOR 0.00 %

DLOR 100.00 %

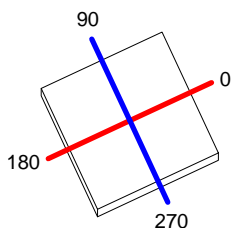
RN 0.00 %



<b>Luminaire</b>		<b>Measur.</b>		<b>Lamp</b>		
Code	05-2015-2	Code	05-2015-2	Code	LED	
Name	LED WALL LIGHT	Name	LED WALL LIGHT	Number	1	
Line	Eulumdat	Date	07-10-2013	Position		
Efficiency	97.44%	Coordinate system	CG	Total Flux	100.00 lm	
Maximum value	1065.55 cd	Position	C=0.00 G=2.00	Asymmetrical		
Rectangular Luminaire	Length	18 mm	Width	18 mm	Height	1 mm
Rectangular Luminous Area	Length	18 mm	Width	18 mm	Height	0 mm
Horizontal Luminous Area	0.000324 m2	Emitting area on Plane 180°		0.000000 m2		
Emitting area on Plane 0°	0.000000 m2	Emitting area on Plane 270°		0.000000 m2		
Emitting area on Plane 90°	0.000000 m2	Glare area at 76°		0.000078 m2		
Symmetry Type	Asymmetrical	Maximum Gamma Angle		90		
Measurement Distance	0.00	Measurement Flux		100.00 lm		
Operator		Source voltage				
Temperature	25.00 °C	Source current				
Humidity	60.00 %	Photocell				
Notes						

Line		Code		Luminaire Lamps		Flux [lm]	Pow. [W]	Q.ty
Eulumdat		LED		Name				
				LED - 2.00 W		100.00	2.00	1
C.I.E.	92 96 98 100 97			D DIN 5040	A60			
F UTE	0.97 A			B NBN	BZ 1			

18mm x 18mm

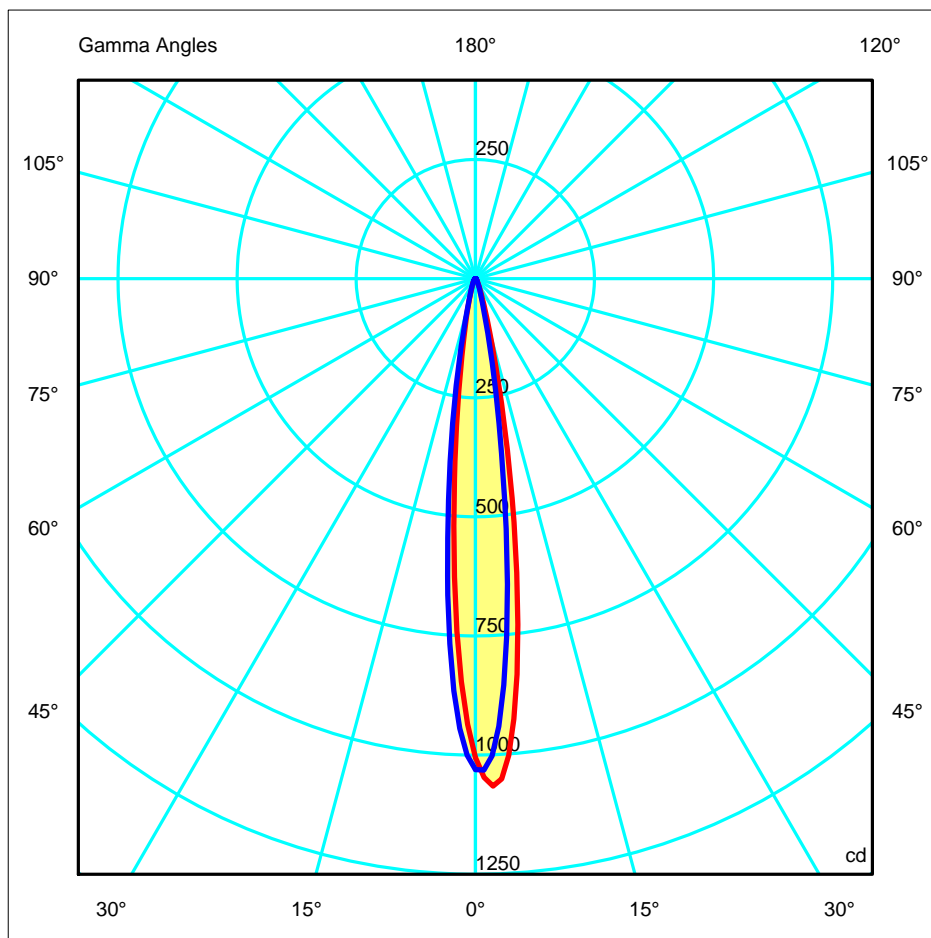


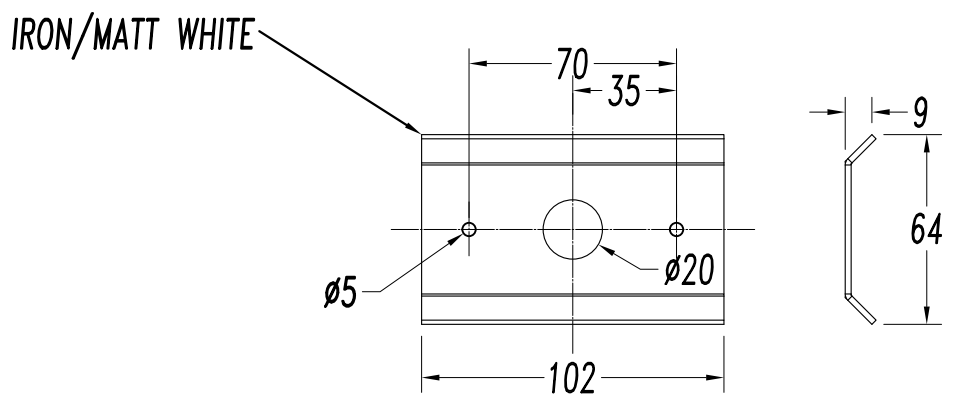
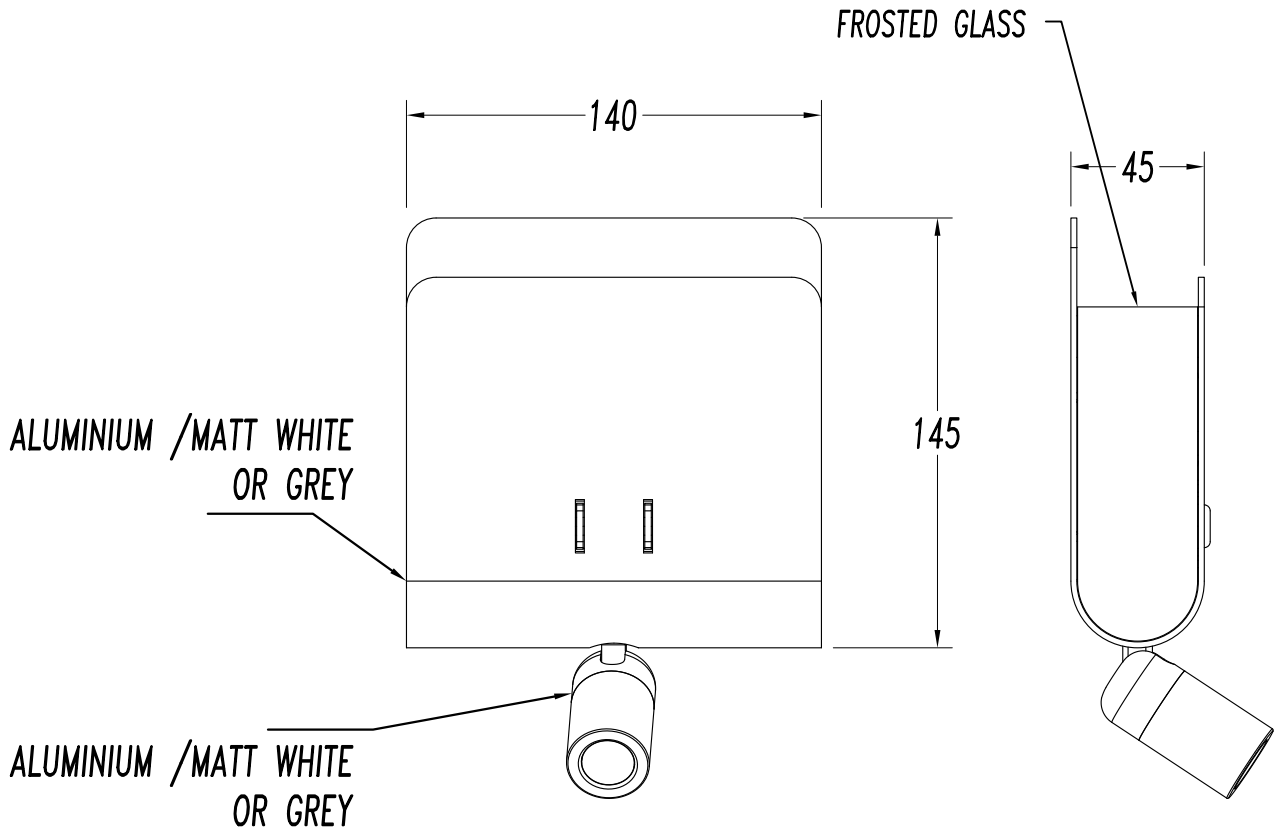
**C Halfplanes**

180.0 — 0.0 (Red line)

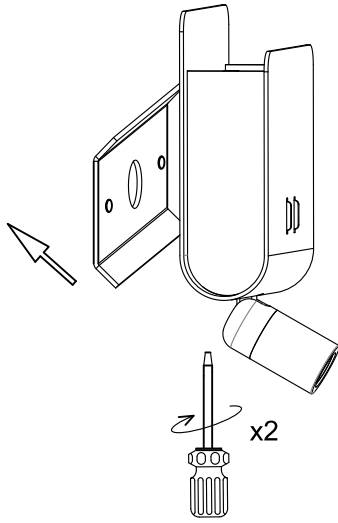
270.0 — 90.0 (Blue line)

ULOR 0.00 %  
 DLOR 97.44 %  
 RN 0.00 %

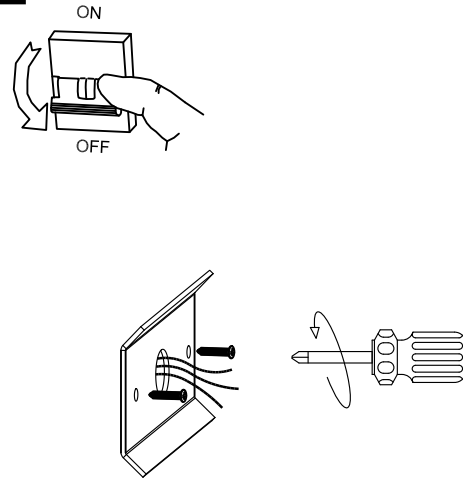




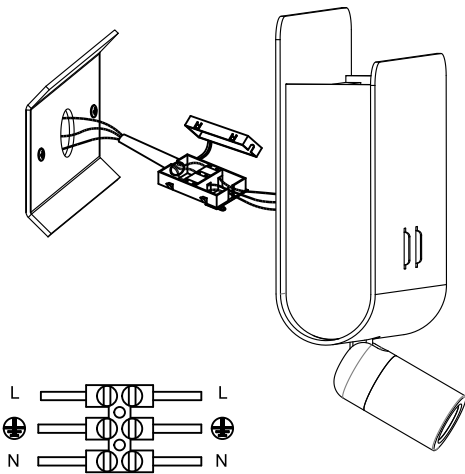
**1**



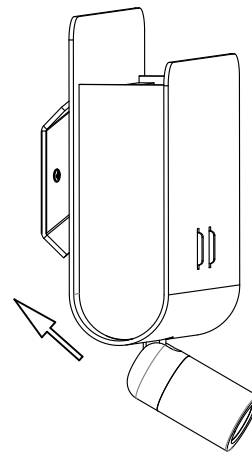
**2**



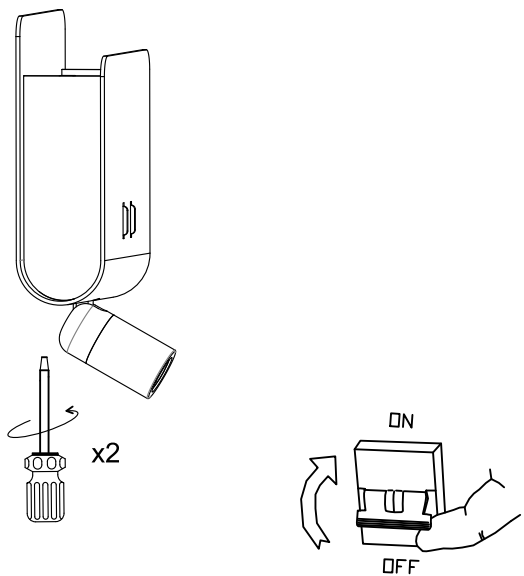
**3**



**4**



**5**



**6**

