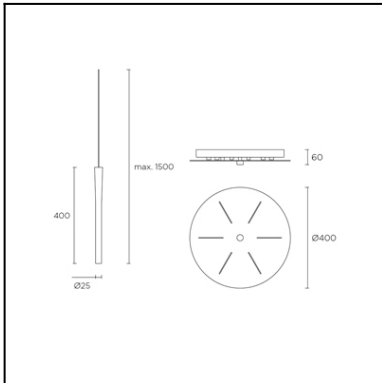


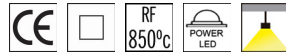


The photograph may not match the reference exactly. Please read the product description to identify the finish.



TECHNICAL CHARACTERISTICS

Type:	Pendant
IP Protection degrees:	IP20
Light source 1:	6 x LED Cree 13.2W Warm White - 3000K 1092 lm ^(N) CRI 80
Angle of the optics / Reflector:	25°
Voltage / Frequency:	100-240V/50-60Hz
Warranty (Years):	2
Option to extend the guarantee (Years):	5
Units per box:	4
Net Weight (Kg):	3.91
EAN:	8435381423988



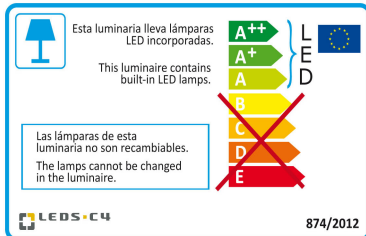
MATERIALS / FINISHES

Structure material:	Aluminium
Structure finish:	Off-white

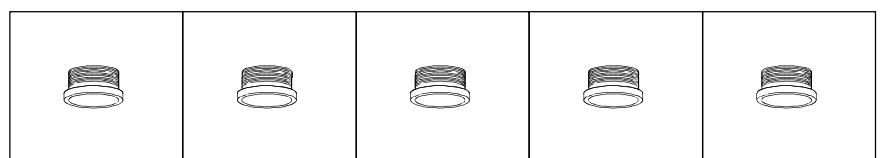
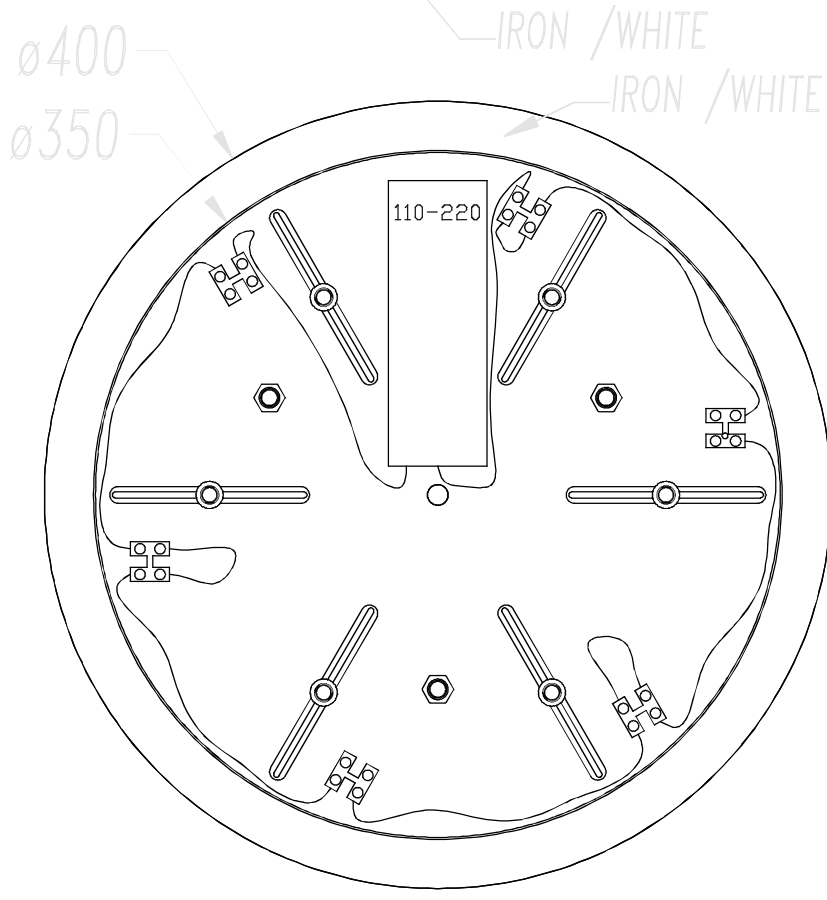
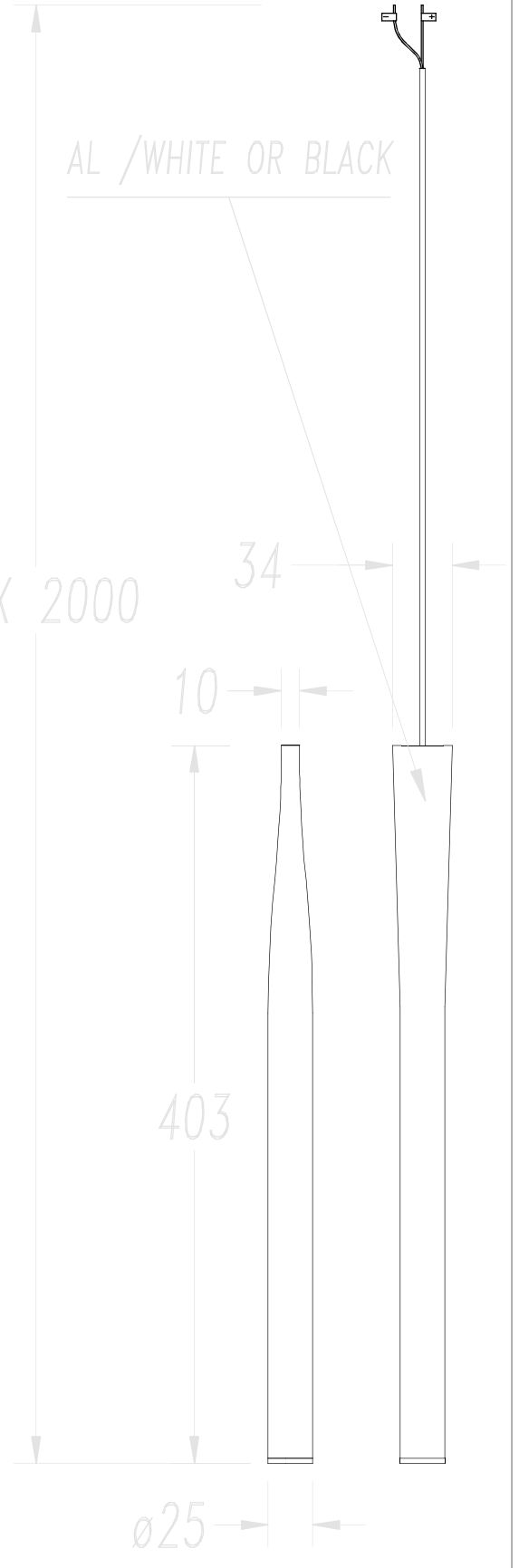
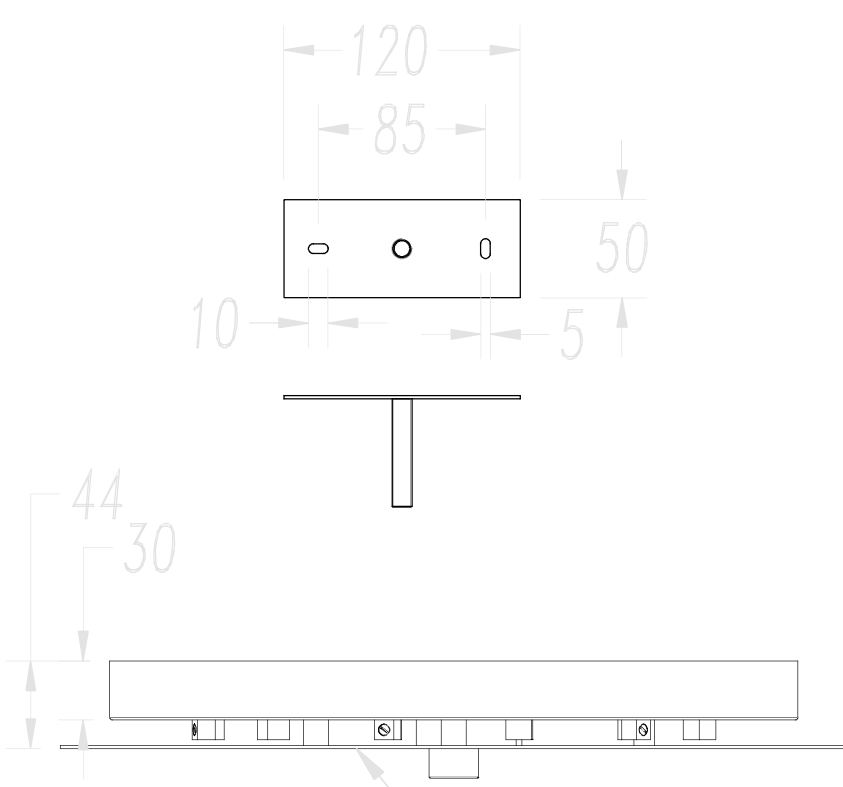
GEAR

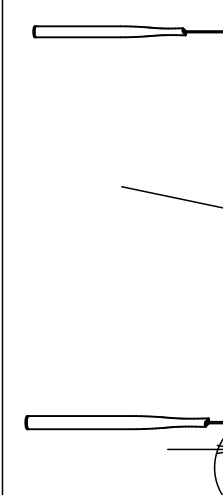
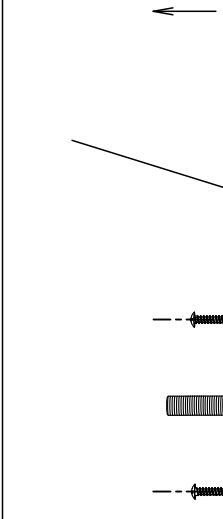
Multi-voltage electronic gear included (110-240 V / 50-60 Hz)

[Download photometric file .ldt / .ies](#)

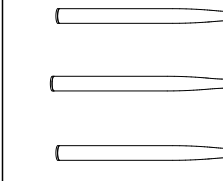


Click on image to download energy label

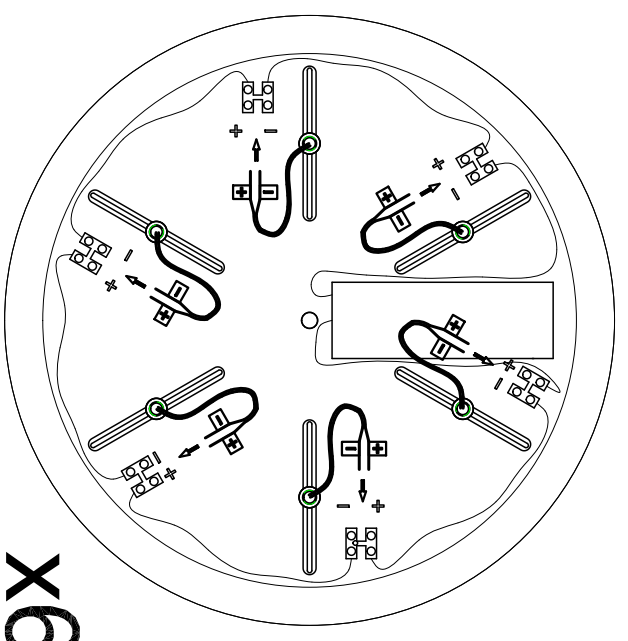




X6

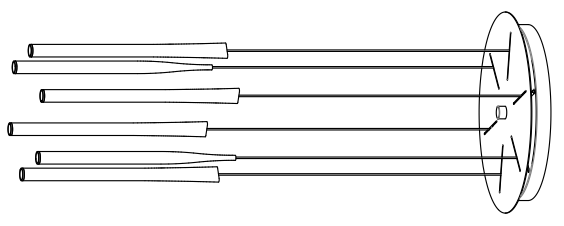


3



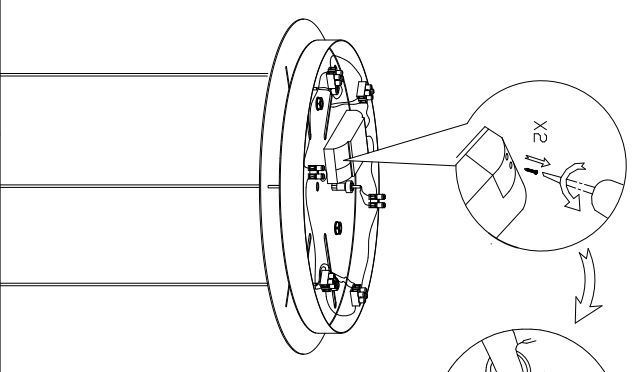
X6

4

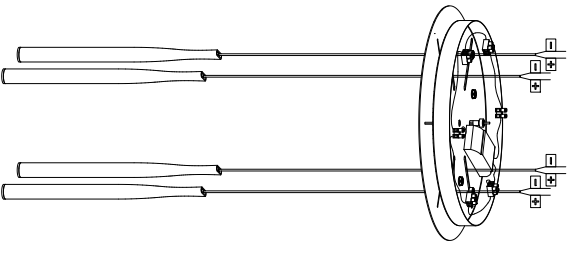


X6

9

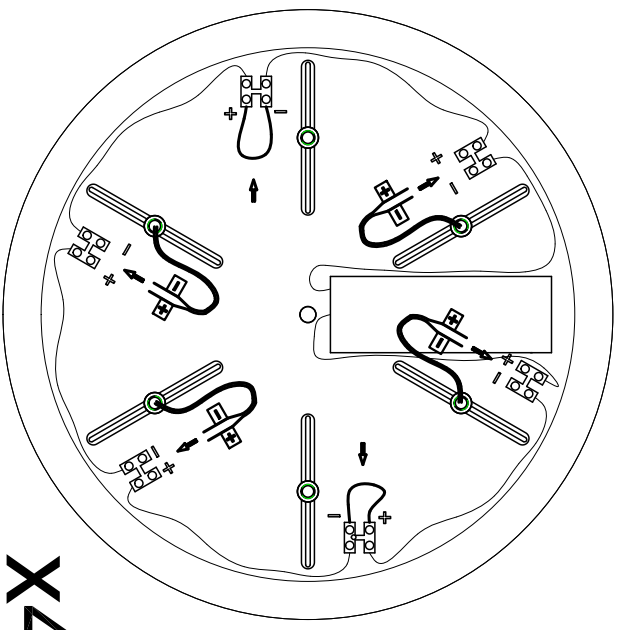


5



X4

6



X4

11

