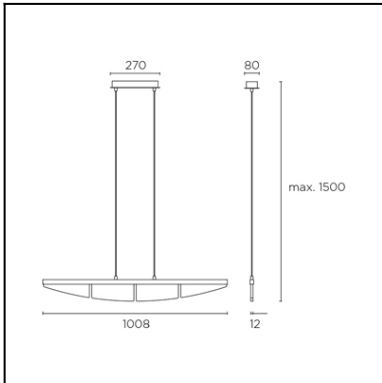
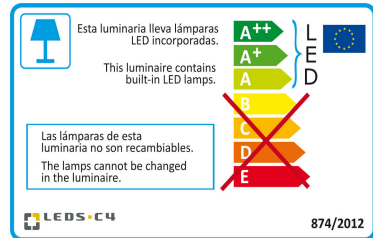




The photograph may not match the reference exactly. Please read the product description to identify the finish.



[Download photometric file .ldt / .ies](#)



Click on image to download energy label

TECHNICAL CHARACTERISTICS

Type:	Pendant
IP Protection degrees:	IP20
Light source 1:	140 x LED Refond 29W Warm White - 3000K 2520 lm ^(N) CRI 80
Voltage / Frequency:	100-240V/50-60Hz
Warranty (Years):	2
Option to extend the guarantee (Years):	5
Units per box:	2
Net Weight (Kg):	3.795
EAN:	8435381413842



MATERIALS / FINISHES

Structure material:	Satin aluminium	Diffuser material:	Glass
Structure finish:	Polished	Diffuser finish:	Transparent

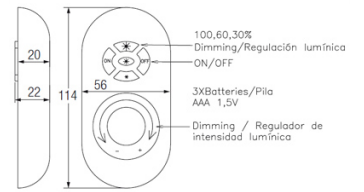
GEAR

Multi-voltage electronic gear included (100-240V / 50-60Hz)

71-2241-00-00



Controller with remote control

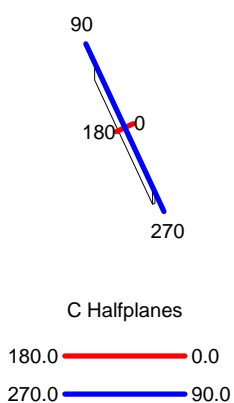


IP20

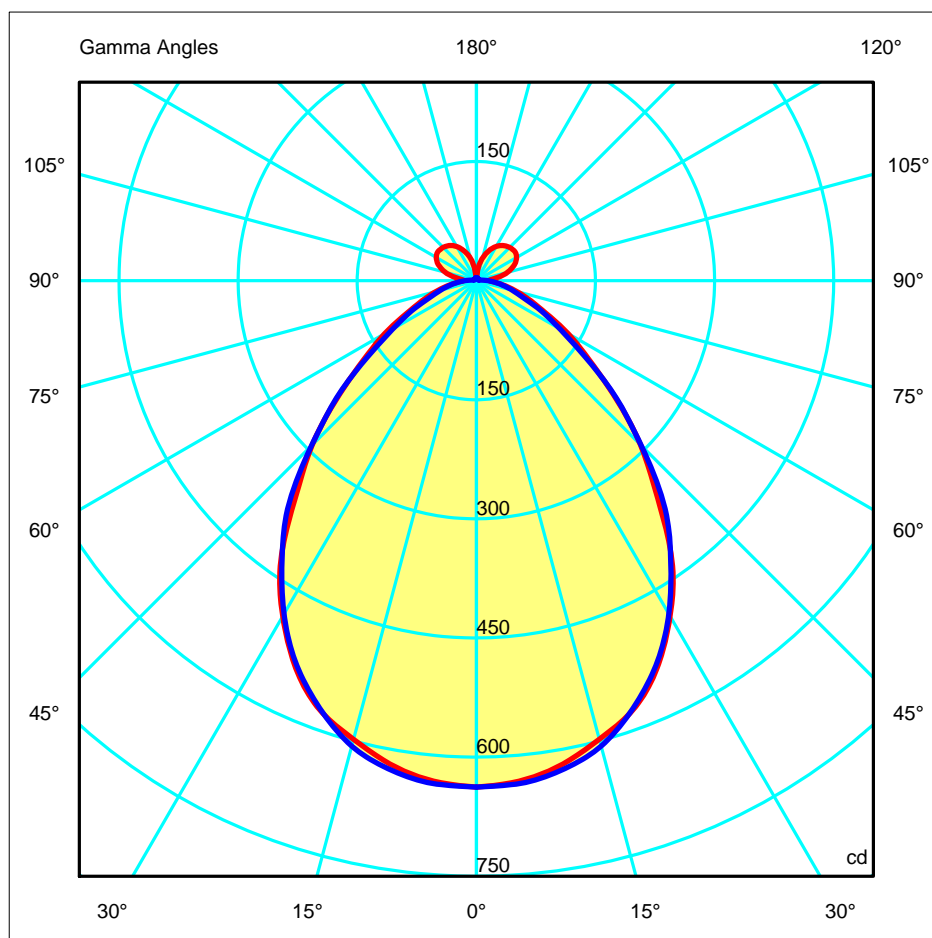
Luminaire		Measur.		Lamp		
Code	00-3272-S2-37	Code	00-3272-S2-37	Code	00-3272-S2-37	
Name	Colgante leds SVEN 29W	Name	Colgante leds SVEN 29W	Number	1	
Line	Eulumdat	Date	17-07-2014	Position		
Efficiency	100.00%	Coordinate system	CG	Total Flux	1557.16 lm	
Maximum value	637.58 cd	Position	C=0.00 G=0.00	Double Symmetrical		
Rectangular Luminaire	Length	1010 mm	Width	20 mm	Height	120 mm
Rectangular Luminous Area	Length	1010 mm	Width	10 mm	Height	90 mm
Horizontal Luminous Area	0.010100 m ²	Emitting area on Plane 180°		0.090900 m ²		
Emitting area on Plane 0°	0.090900 m ²	Emitting area on Plane 270°		0.000900 m ²		
Emitting area on Plane 90°	0.000900 m ²	Glare area at 76°		0.090643 m ²		
Symmetry Type	Double Symmetrical	Maximum Gamma Angle	180			
Measurement Distance	0.00	Measurement Flux	1557.16 lm			
Operator	Asselum T2	Source voltage				
Temperature	25.00 °C	Source current				
Humidity	60.00 %	Photocell				
Notes						

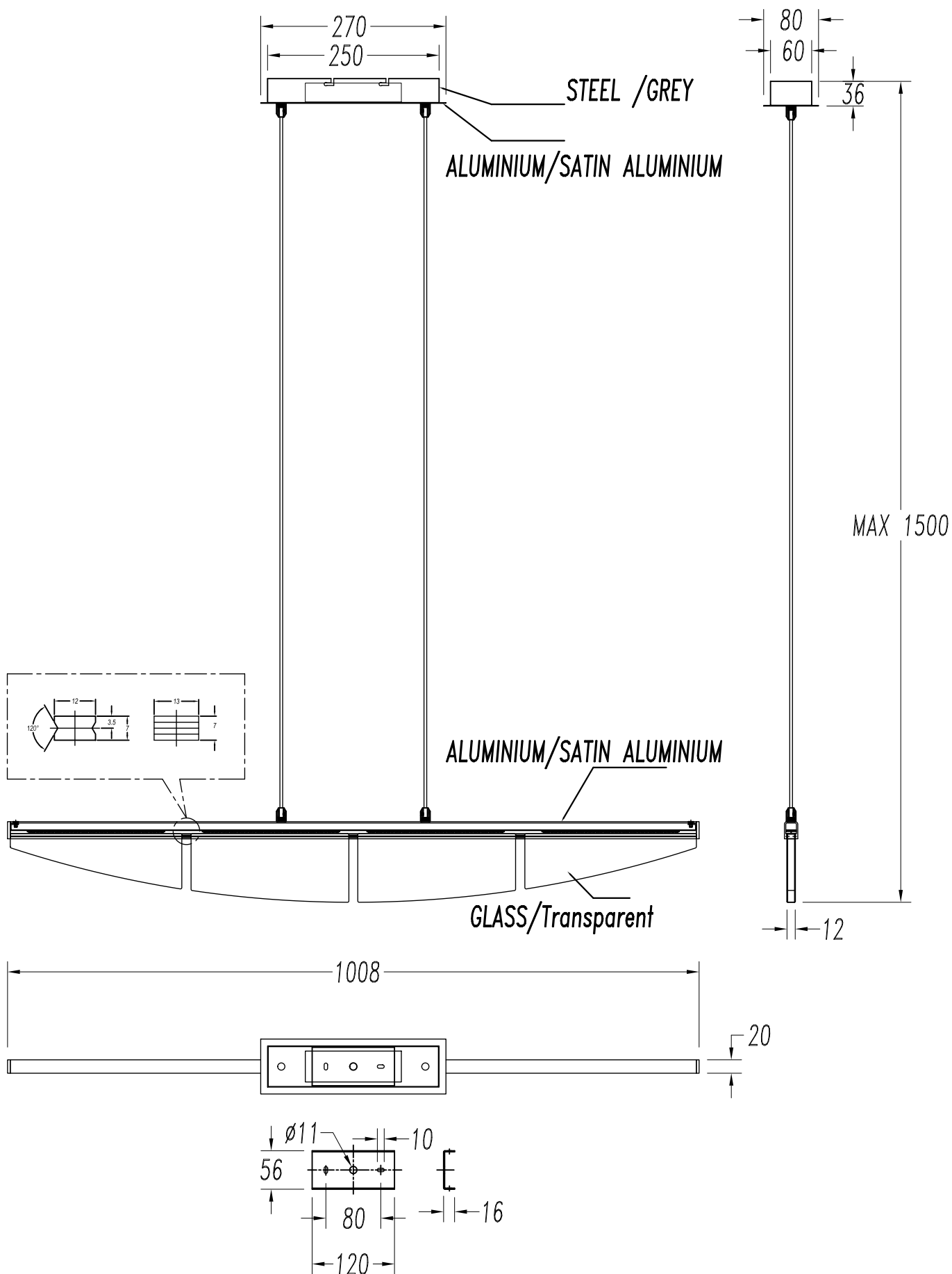
Luminaire Lamps					
Line	Code	Name	Flux [lm]	Pow. [W]	Q.ty
Eulumdat	00-3272-S2-37	00-3272-S2-37 - 29.00 W	1557.16	29.00	1
C.I.E.	58 85 95 84 100	D DIN 5040			
F UTE	0.84 D + 0.16 T	B NBN	B41	BZ 3 / 2 / BZ 4	

1010mm x 20mm

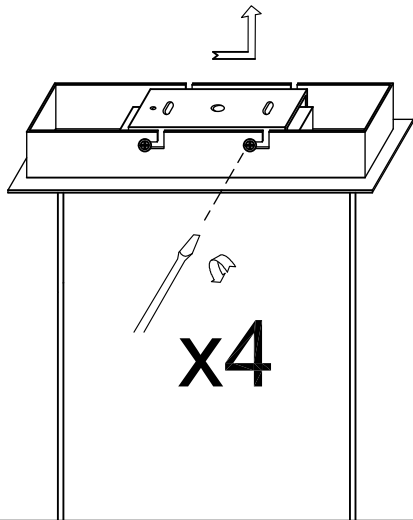


ULOR 15.88 %
 DLOR 84.12 %
 RN 15.88 %

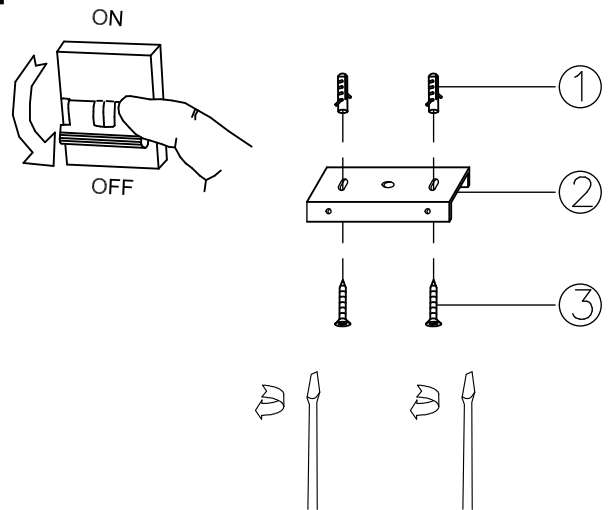




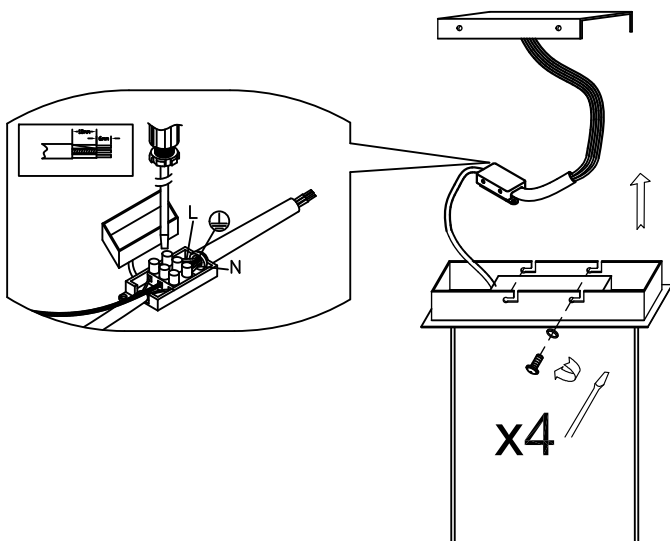
1



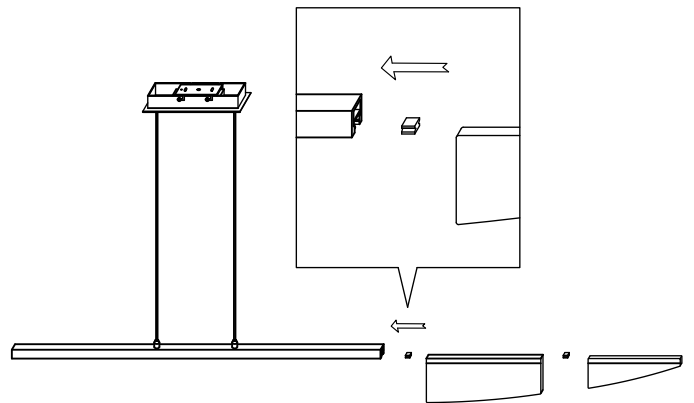
2



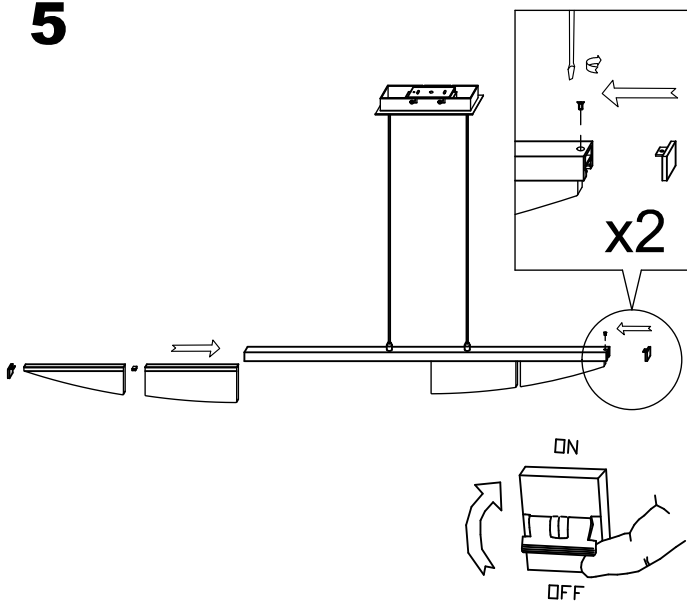
3



4



5



6

