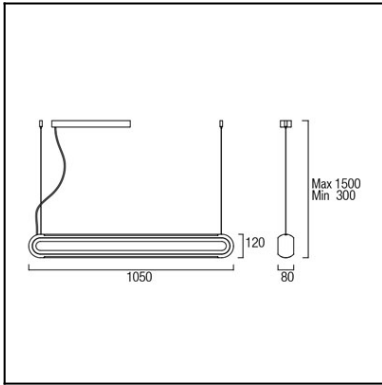


Design by **Benedito Design**

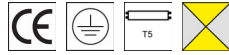


The photograph may not match the reference exactly. Please read the product description to identify the finish.



TECHNICAL CHARACTERISTICS

Type:	Pendant
IP Protection degrees:	IP20
Light source 1:	2 x G5 39W
Voltage / Frequency:	230V/50-60Hz
Warranty (Years):	2
Units per box:	4
Net Weight (Kg):	2.92
EAN:	8435111072929

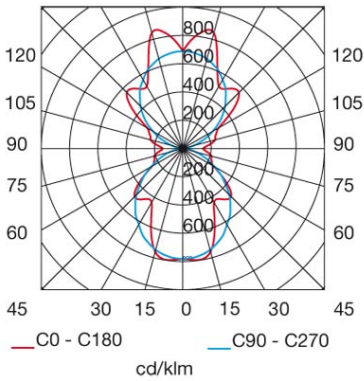


MATERIALS / FINISHES

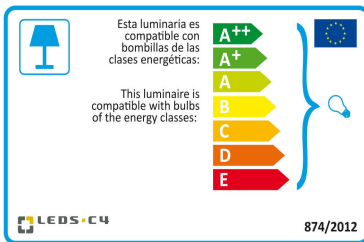
Structure material:	Polyurethane	Diffuser material:	Polycarbonate
Structure finish:	Matt white	Diffuser finish:	Tinted

GEAR

Gear included: Yes, electronic



Download photometric file .ldt /.ies

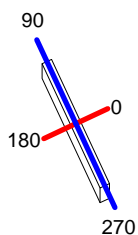


Click on image to download energy label

Luminaire		Measur.		Lamp		
Code	00-2801-14-M3	Code	00-2801-14-M3	Code	TL5 HO sup80 39W/840	
Name	Colgante dir/ind 2x39W T5	Name	Colgante dir/ind 2x39W T5	Number	2	
Line	Eulumdat	Date	26-02-2010	Position		
Efficiency	65.99%	Coordinate system	CG	Total Flux	6200.00 lm	
Maximum value	851.07 cd	Position	C=30.00 G=165.00	Asymmetrical		
Rectangular Luminaire	Length	1050 mm	Width	80 mm	Height	125 mm
Rectangular Luminous Area	Length	885 mm	Width	50 mm	Height	124 mm
Horizontal Luminous Area	0.044250 m2	Emitting area on Plane 180°		0.110625 m2		
Emitting area on Plane 0°	0.110625 m2	Emitting area on Plane 270°		0.006250 m2		
Emitting area on Plane 90°	0.006250 m2	Glare area at 76°		0.118044 m2		
Symmetry Type	Asymmetrical	Maximum Gamma Angle		180		
Measurement Distance	0.00	Measurement Flux		6200.00 lm		
Operator	Asselum	Source voltage				
Temperature	25.00 °C	Source current				
Humidity	60.00 %	Photocell				
Notes						

Luminaire Lamps					
Line	Code	Name	Flux [lm]	Pow. [W]	Q.ty
Eulumdat	TL5 HO sup80 39W/840	TL5 HO sup80 39W/840 - 39.00 W	3100.00	39.00	2
C.I.E.	48 77 92 48 66	D DIN 5040	C32		
F UTE	0.31 E + 0.35 T	B NBN	BZ 4 / 1 / BZ 5		

1050mm x 80mm



C Halfplanes

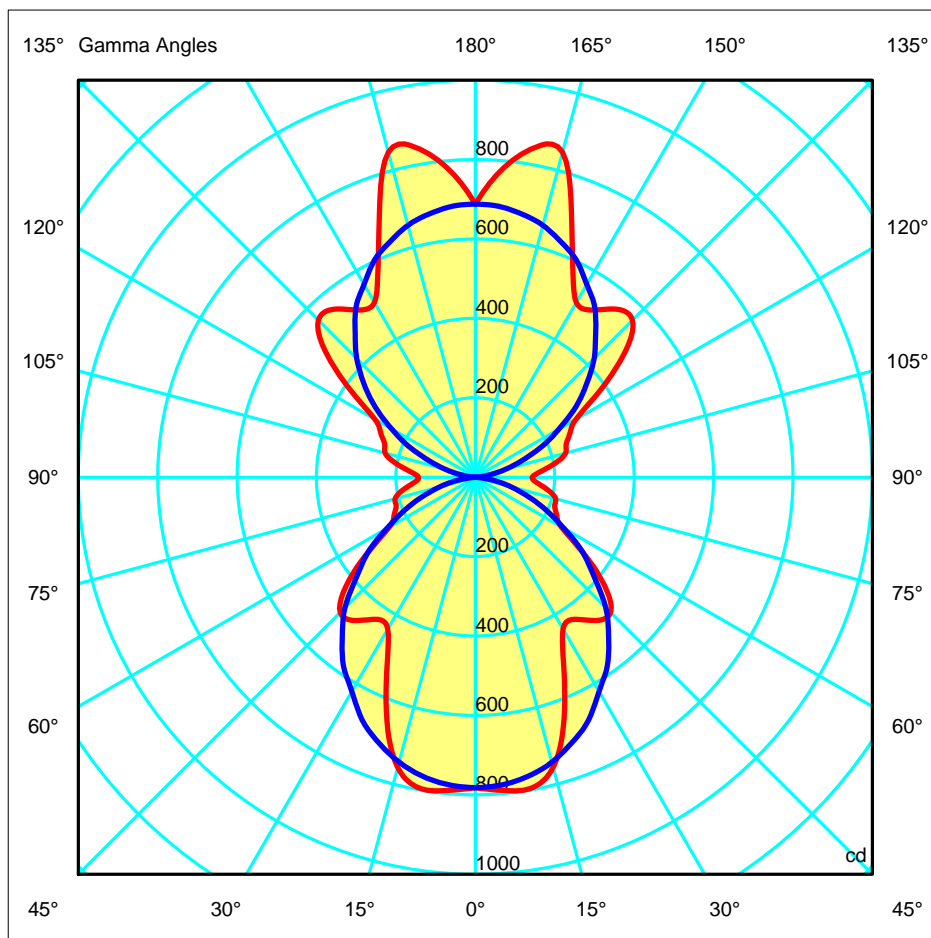
180.0 — 0.0

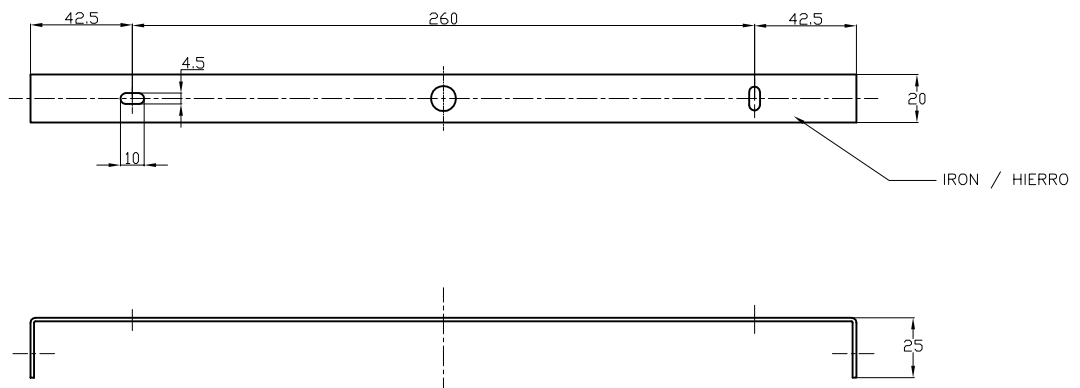
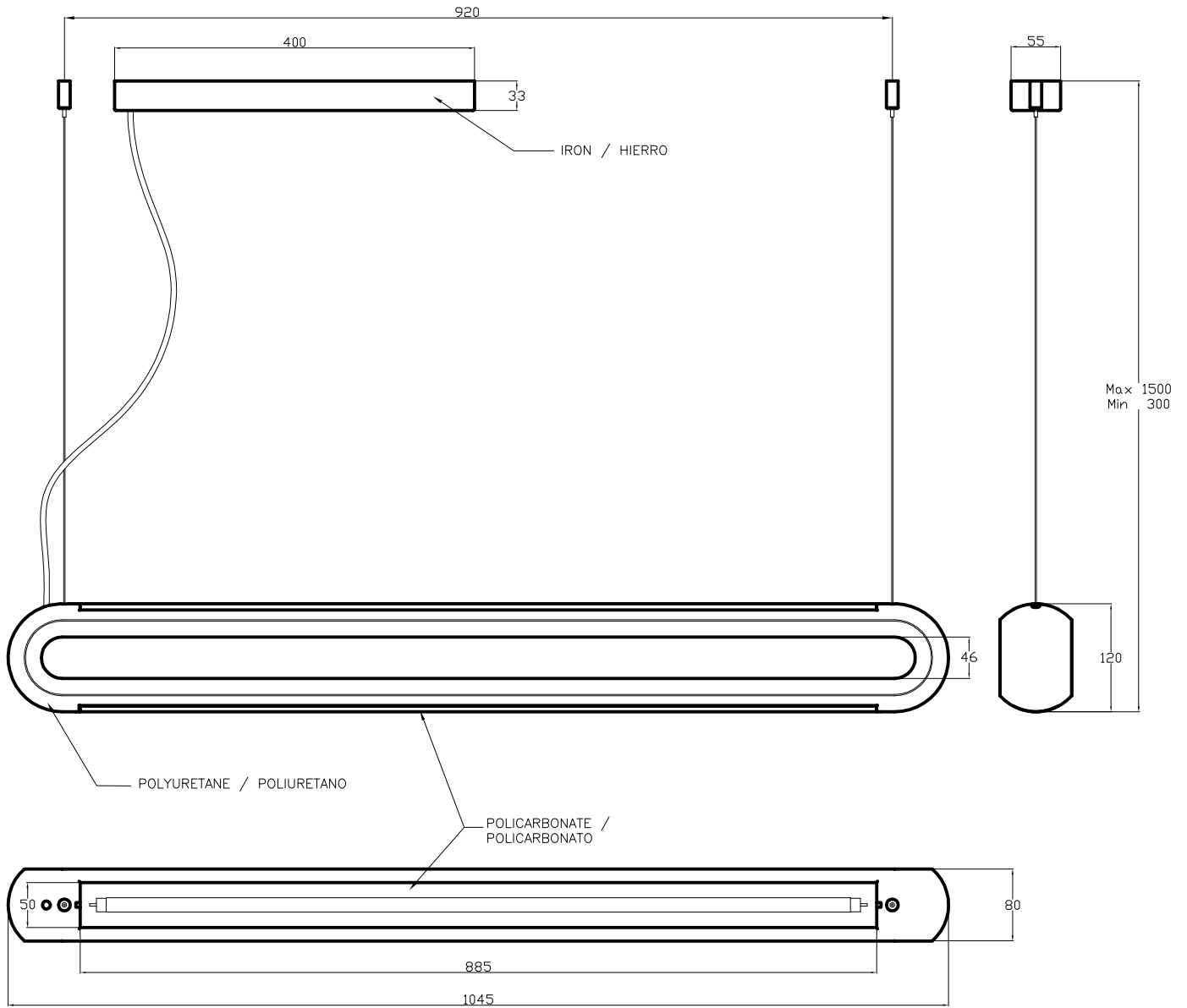
270.0 — 90.0

ULOR 34.62 %

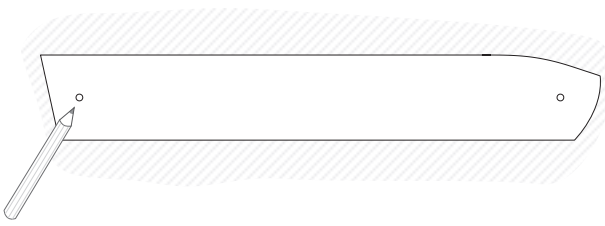
DLOR 31.37 %

RN 52.46 %

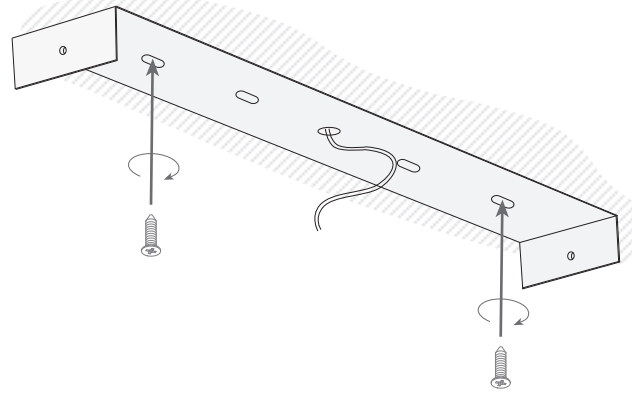




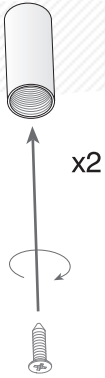
1



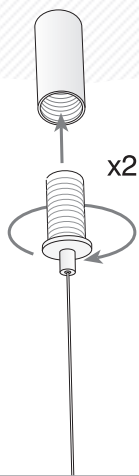
2



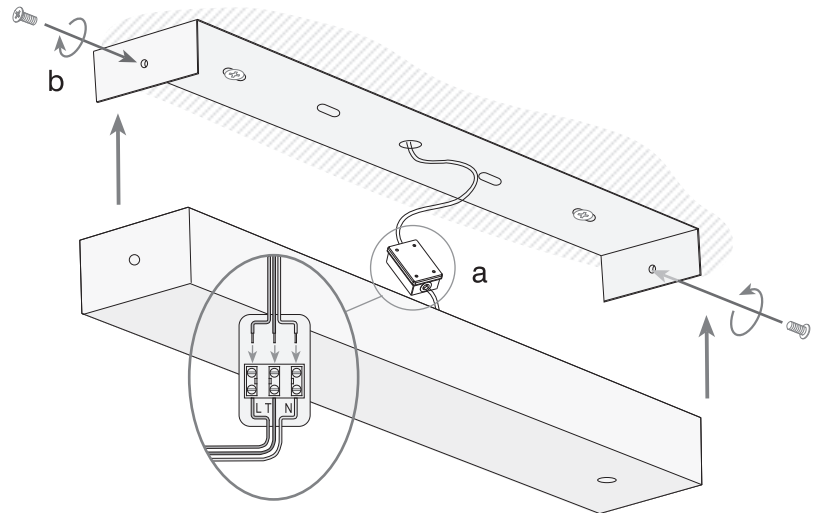
3



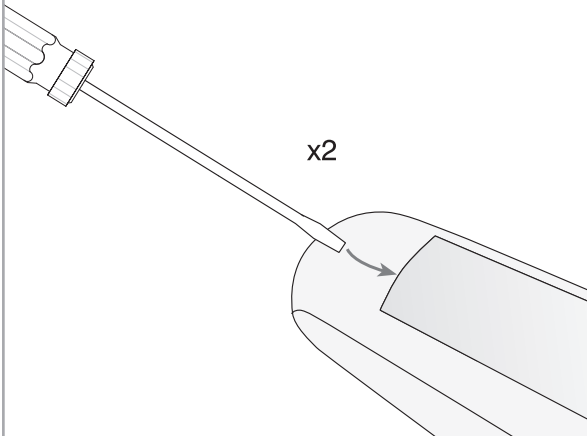
4



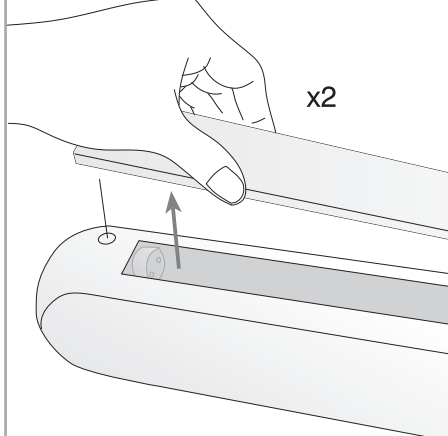
5



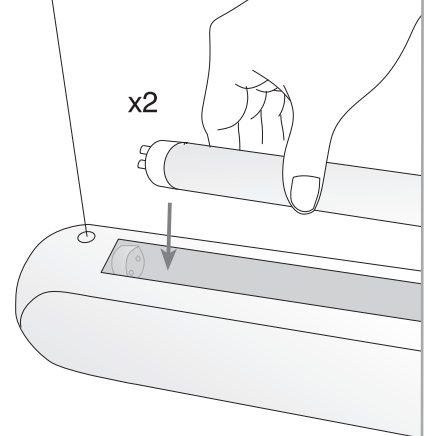
6



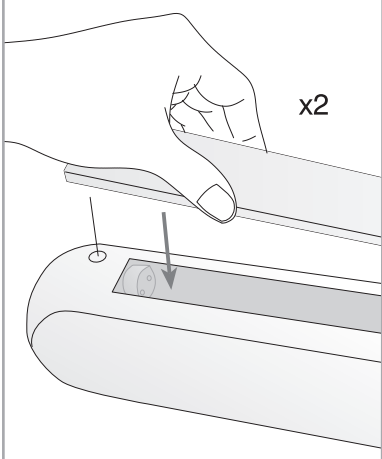
7



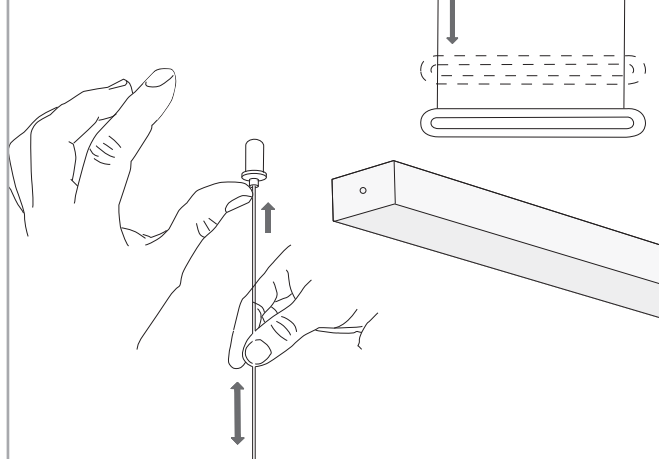
8



9



10



11

