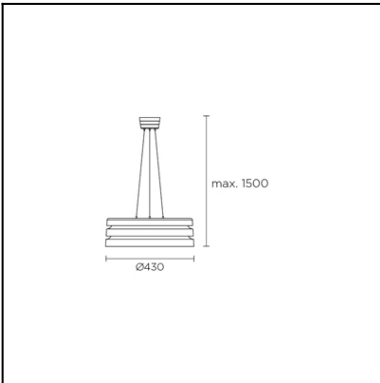




The photograph may not match the reference exactly. Please read the product description to identify the finish.



TECHNICAL CHARACTERISTICS

| | |
|------------------------------|---|
| Type: | Pendant |
| IP Protection degrees: | IP20 |
| Light source 1: | 3 x E27 20W Maximum lamp length: 120.00 mm Maximum lamp diameter: 55.00 mm |
| Total power consumption (W): | 60 |
| Voltage / Frequency: | 220-240V/50-60Hz |
| Warranty (Years): | 2 |
| Units per box: | 2 |
| Net Weight (Kg): | 3.69 |
| EAN: | 8435111064993 |



MATERIALS / FINISHES

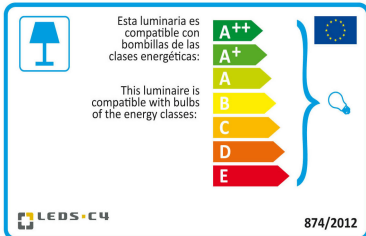
Structure material: Steel

Diffuser material: Steel shade
Acrylic

Structure finish: Chrome

Diffuser finish: Shiny black/BRIGHT
WHITE/chrome
Matt

[Download photometric file .ldt / .ies](#)

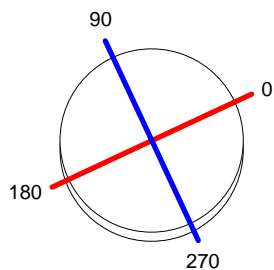


[Click on image to download energy label](#)

| | | | | | |
|----------------------------|--------------------------------|-----------------------------|--------------------------------|-----------------------------|---------------------|
| Luminaire | | Measur. | | Lamp | |
| Code | 00-2785-21-AS | Code | 00-2785-21-AS | Code | DLX EL LL 20W827E27 |
| Name | Colgante 3x20W PL E27 dif opal | Name | Colgante 3x20W PL E27 dif opal | Number | 3 |
| Line | Eulumdat | Date | 16-12-2013 | Position | |
| Efficiency | 45.15% | Coordinate system | CG | Total Flux | 3600.00 lm |
| Maximum value | 446.84 cd | Position | C=0.00 G=0.00 | Double Symmetrical | |
| Round Luminaire | Diam. | 430 mm | Height | 130 mm | |
| Round Luminous Area | Diam. | 425 mm | Height | 0 mm | |
| Horizontal Luminous Area | 0.141863 m2 | Emitting area on Plane 180° | 0.000000 m2 | Emitting area on Plane 270° | 0.000000 m2 |
| Emitting area on Plane 0° | 0.000000 m2 | Glare area at 76° | 0.034320 m2 | | |
| Emitting area on Plane 90° | 0.000000 m2 | | | | |
| Symmetry Type | Double Symmetrical | Maximum Gamma Angle | 180 | Measurement Flux | 3600.00 lm |
| Measurement Distance | 0.00 | | | | |
| Operator | Asselum T2 | Source voltage | | | |
| Temperature | 25.00 °C | Source current | | | |
| Humidity | 60.00 % | Photocell | | | |
| Notes | | | | | |

| Luminaire Lamps | | | | | | |
|-----------------|---------------------|-------------------------------|-----------|----------|------|--|
| Line | Code | Name | Flux [lm] | Pow. [W] | Q.ty | |
| Eulumdat | DLX EL LL 20W827E27 | DLX EL LL 20W827E27 - 20.00 W | 1200.00 | 20.00 | 3 | |
| C.I.E. | 42 73 93 94 45 | D DIN 5040 | | | | |
| F UTE | 0.42 G + 0.03 T | B NBN | | | | |
| | | A31 | | | | |
| | | BZ 5 | | | | |

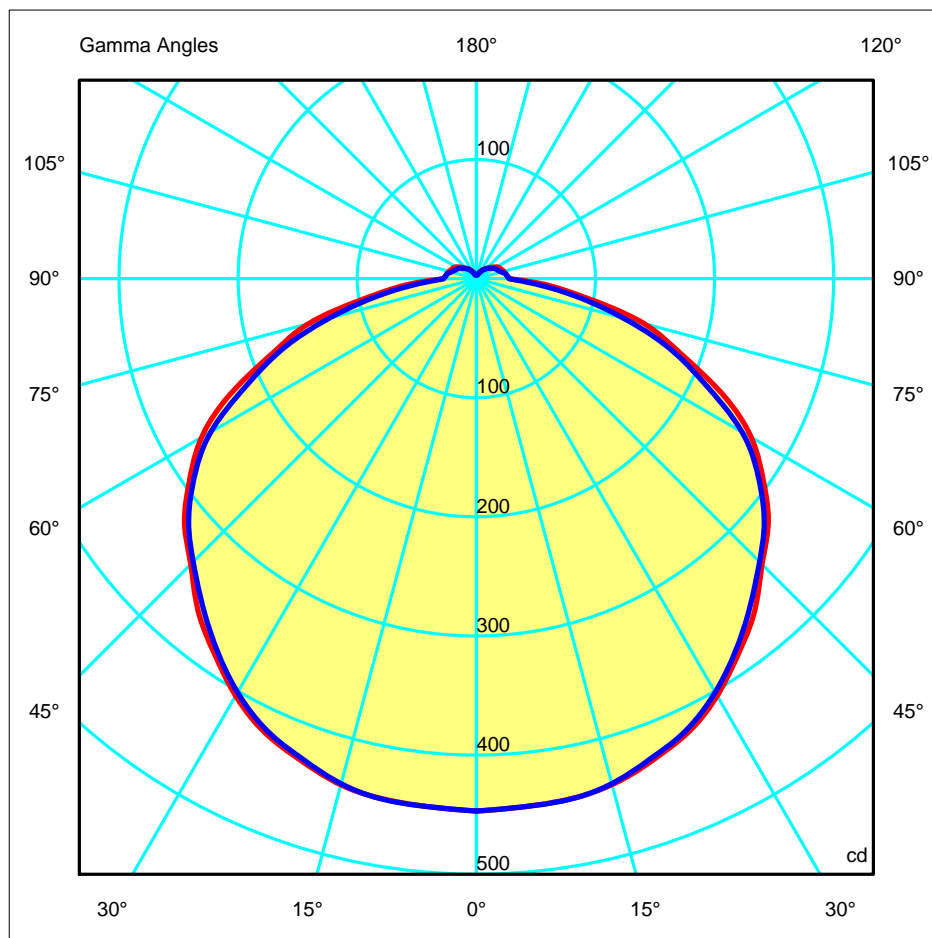
Diam=430mm

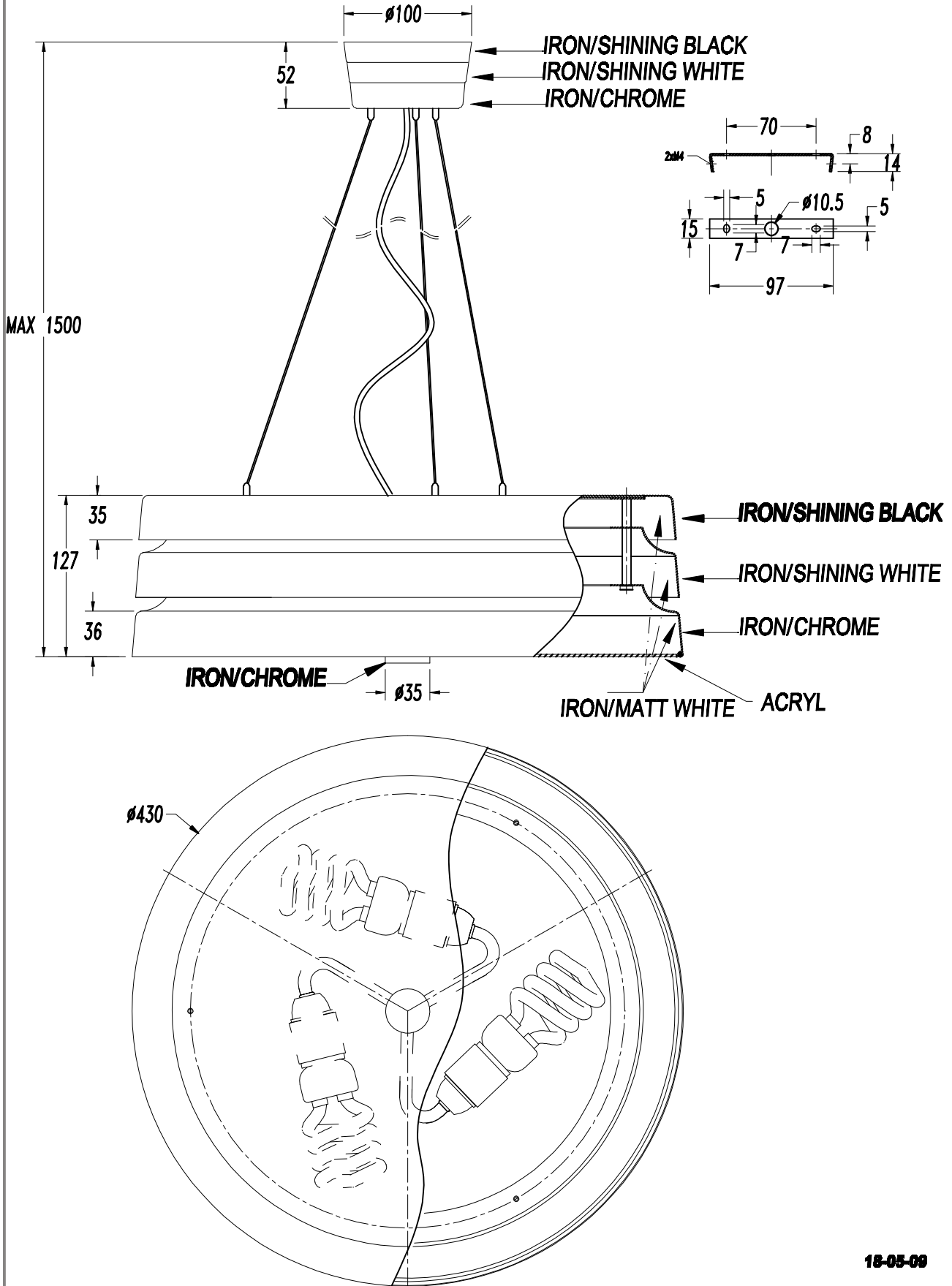


C Halfplanes

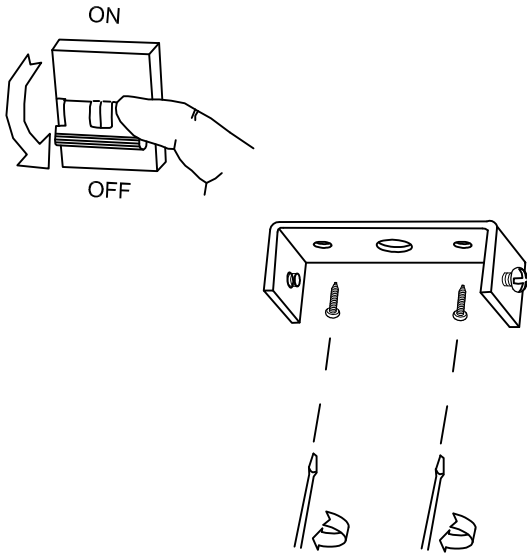
180.0 — 0.0
270.0 — 90.0

ULOR 2.93 %
DLOR 42.22 %
RN 6.49 %

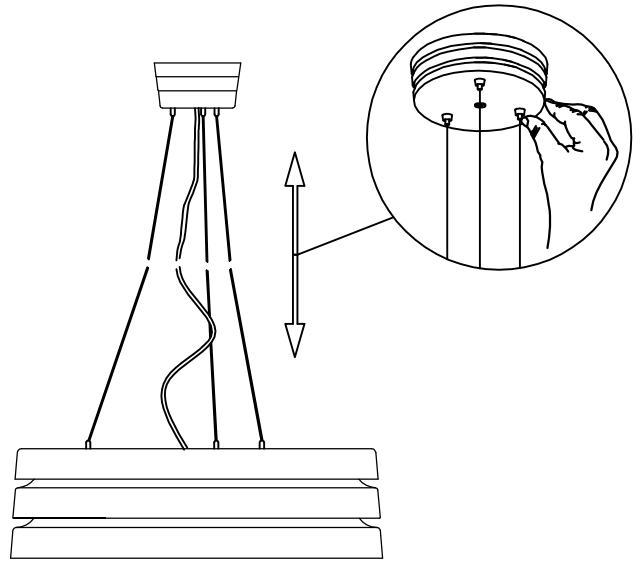




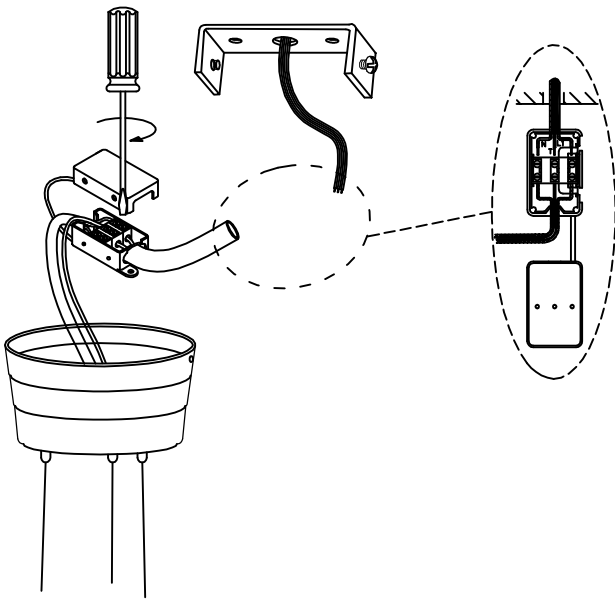
1



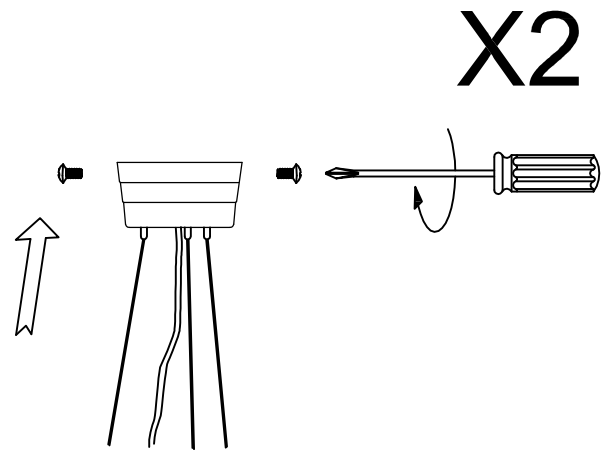
2



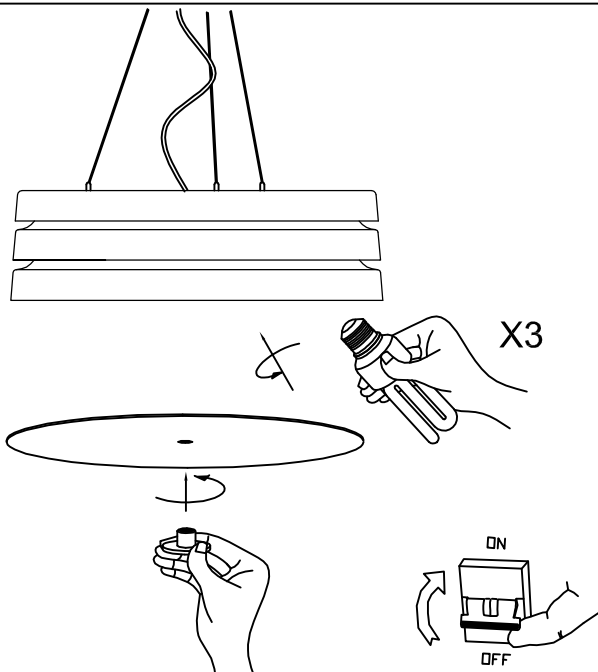
3



4



5



6

