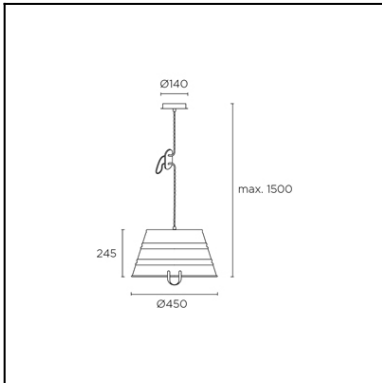




The photograph may not match the reference exactly. Please read the product description to identify the finish.



TECHNICAL CHARACTERISTICS

Type:	Pendant
IP Protection degrees:	IP20
Light source 1:	1 x E27 MAX 100W Maximum lamp length: 210.00 mm Maximum lamp diameter: 280.00 mm
Total power consumption (W):	100
Voltage / Frequency:	220-240V/50-60Hz
Warranty (Years):	2
Units per box:	2
Net Weight (Kg):	1.305
EAN:	8435381409890

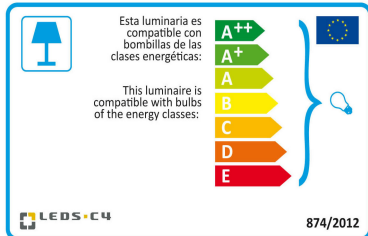


MATERIALS / FINISHES

Structure material: Steel
Aluminium

Structure finish: Old brown
Off-white

[Download photometric file .ldt / .ies](#)

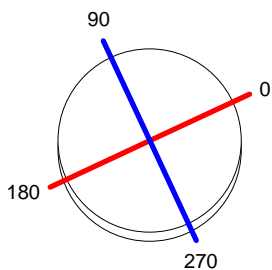


[Click on image to download energy label](#)

Luminaire		Measur.		Lamp	
Code	00-2709-16-11	Code	00-2709-16-11	Code	CLAS A CL 100
Name	Colgante BUCKET 1x100W E27	Name	Colgante BUCKET 1x100W E27	Number	1
Line	Eulumdat	Date	22-07-2014	Position	
Efficiency	49.11%	Coordinate system	CG	Total Flux	1360.00 lm
Maximum value	249.73 cd	Position	C=0.00 G=0.00	Double Symmetrical	
Round Luminaire	Diam.	450 mm	Height	245 mm	
Round Luminous Area	Diam.	430 mm	Height	0 mm	
Horizontal Luminous Area	0.145220 m2	Emitting area on Plane 180°	0.000000 m2		
Emitting area on Plane 0°	0.000000 m2	Emitting area on Plane 270°	0.000000 m2		
Emitting area on Plane 90°	0.000000 m2	Glare area at 76°	0.035132 m2		
Symmetry Type	Double Symmetrical	Maximum Gamma Angle	90		
Measurement Distance	0.00	Measurement Flux	1360.00 lm		
Operator	Asselum T2	Source voltage			
Temperature	25.00 °C	Source current			
Humidity	60.00 %	Photocell			
Notes					

Luminaire Lamps						
Line	Code	Name	Flux [lm]	Pow. [W]	Q.ty	
Eulumdat	CLAS A CL 100	CLAS A CL 100 - 100.00 W	1360.00	100.00	1	
C.I.E.	51 90 98 100 49	D DIN 5040	A40			
F UTE	0.49 D	B NBN	BZ 4 / 1.5 / BZ 3			

Diam=450mm



C Halfplanes

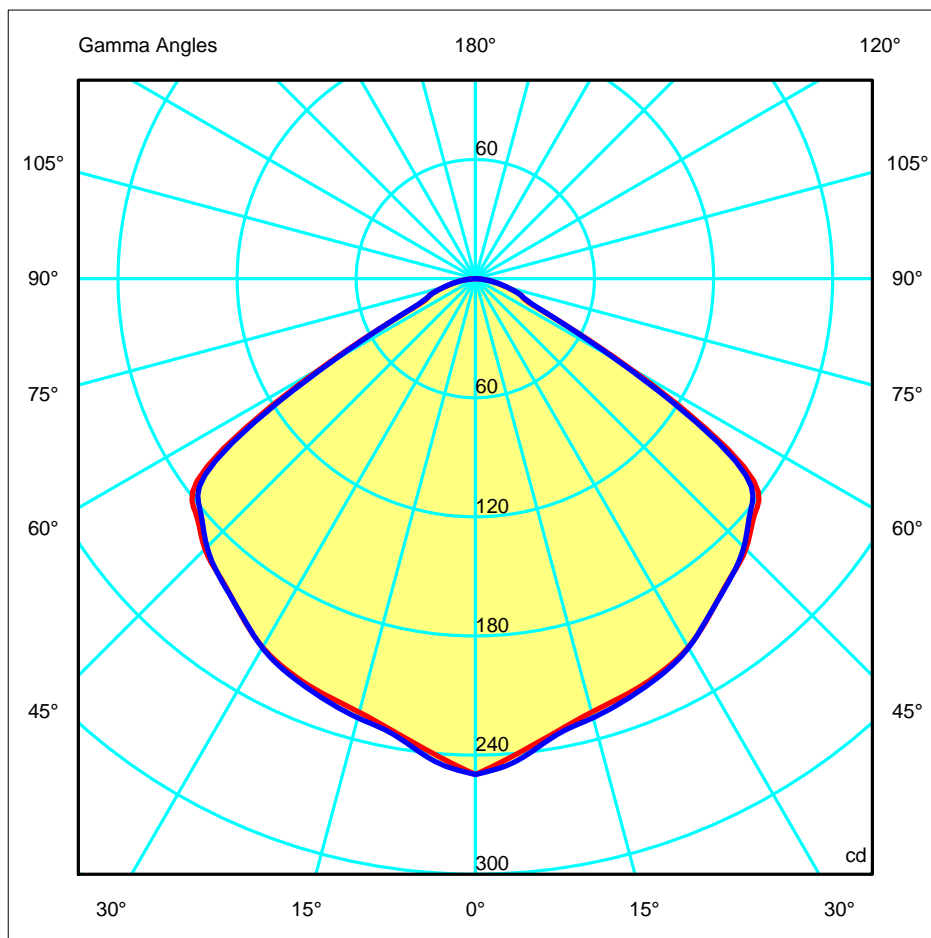
180.0 — 0.0 (Red line)

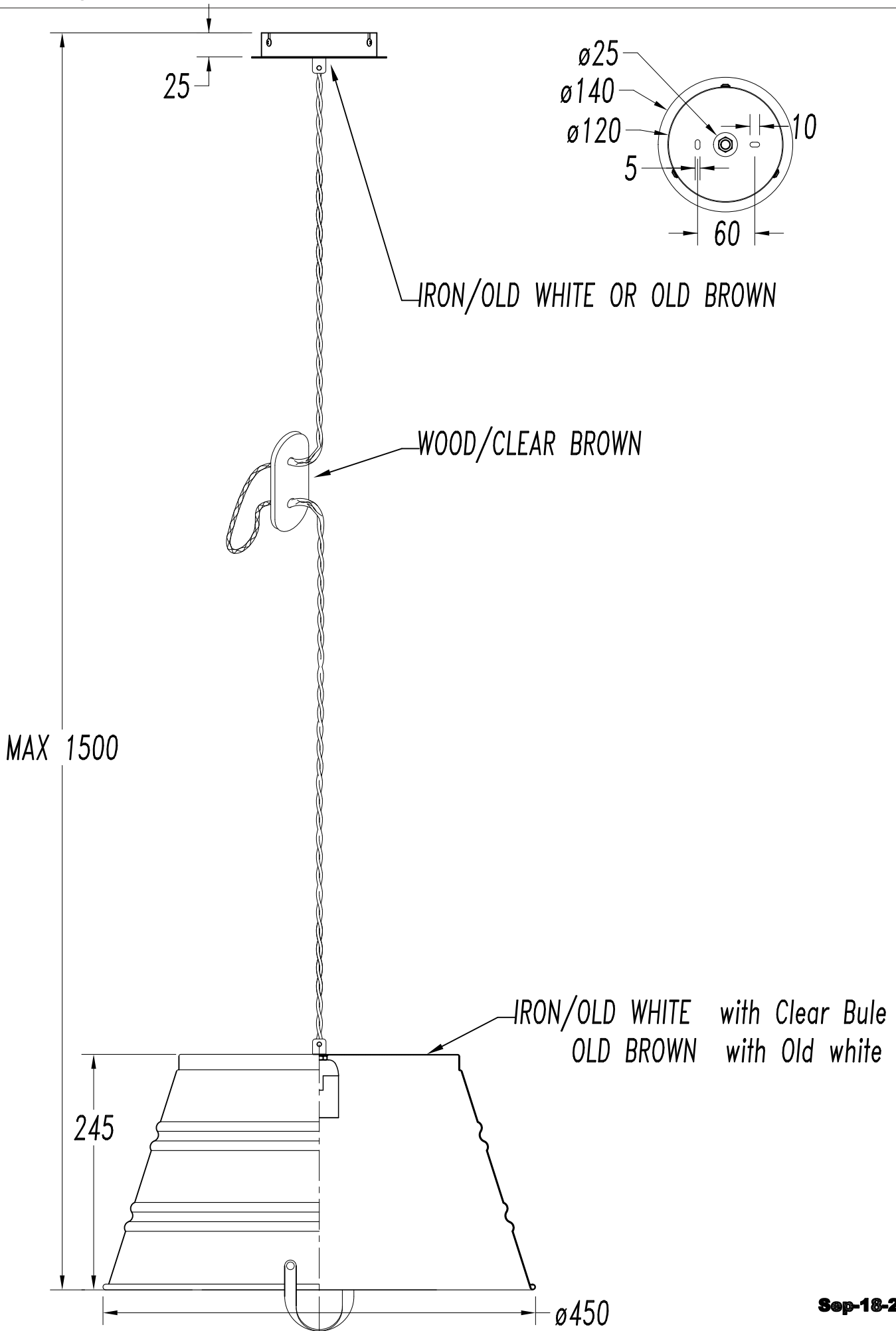
270.0 — 90.0 (Blue line)

ULOR 0.00 %

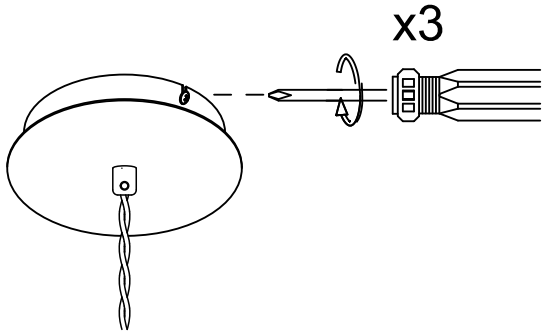
DLOR 49.11 %

RN 0.00 %

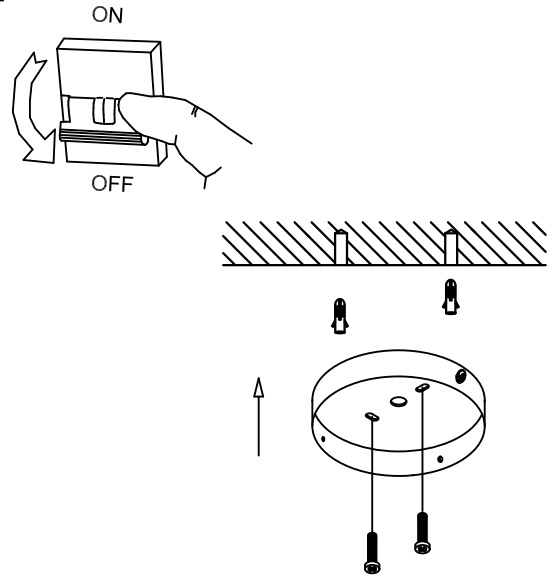




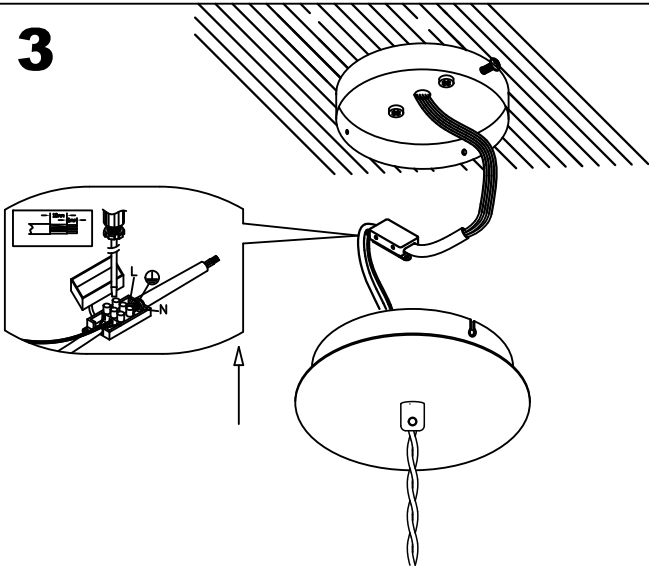
1



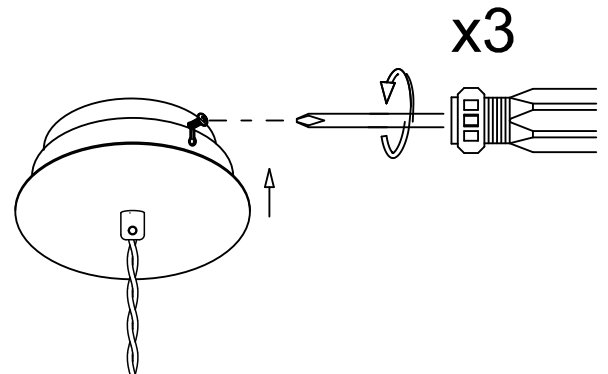
2



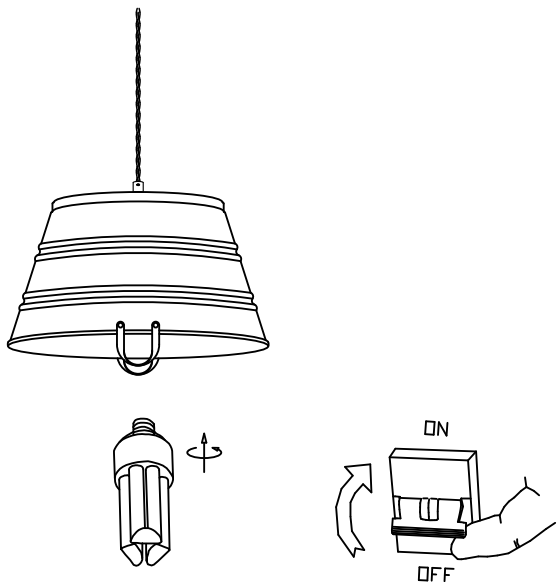
3



4



5



6

