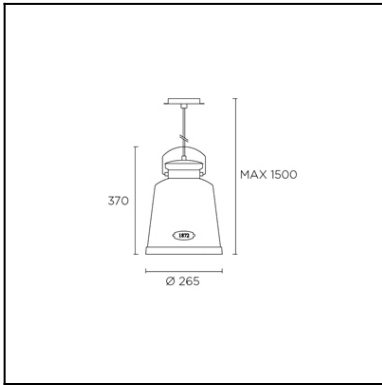




The photograph may not match the reference exactly. Please read the product description to identify the finish.



TECHNICAL CHARACTERISTICS

| | |
|------------------------|-------------------------------------------------------------------------------------------|
| Type: | Pendant |
| IP Protection degrees: | IP20 |
| Light source 1: | 1 x E27 max.100W Maximum lamp length: 240.00 mm Maximum lamp diameter: 220.00 mm |
| Voltage / Frequency: | 220-240V/50-60Hz |
| Warranty (Years): | 2 |
| Units per box: | 2 |
| Net Weight (Kg): | 1.29 |
| EAN: | 8435111091104 |

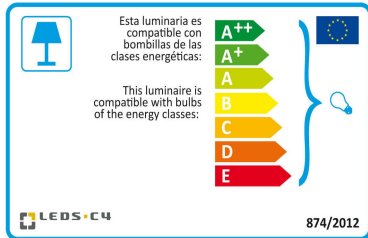


MATERIALS / FINISHES

Structure material: Steel
Spin forming aluminium

Structure finish: Off-white
Chrome

[Download photometric file .ldt / .ies](#)

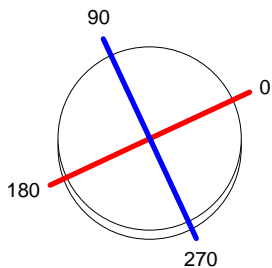


[Click on image to download energy label](#)

| | | | | | |
|----------------------------|-------------------------|-----------------------------|-------------------------|-----------------------------|--------------------|
| Luminaire | | Measur. | | Lamp | |
| Code | 00-0253-21-16 | Code | 00-0253-21-16 | Code | STANDAR GOC 100W O |
| Name | Colgante 1x100W E27 inc | Name | Colgante 1x100W E27 inc | Number | 1 |
| Line | Eulumdat | Date | 14-11-2013 | Position | |
| Efficiency | 17.13% | Coordinate system | CG | Total Flux | 1340.00 lm |
| Maximum value | 212.26 cd | Position | C=0.00 G=0.00 | Double Symmetrical | |
| Round Luminaire | Diam. | 265 mm | Height | 370 mm | |
| Round Luminous Area | Diam. | 252 mm | Height | 0 mm | |
| Horizontal Luminous Area | 0.049876 m2 | Emitting area on Plane 180° | 0.000000 m2 | Emitting area on Plane 270° | 0.000000 m2 |
| Emitting area on Plane 0° | 0.000000 m2 | Glare area at 76° | 0.012066 m2 | | |
| Emitting area on Plane 90° | 0.000000 m2 | | | | |
| Symmetry Type | Double Symmetrical | Maximum Gamma Angle | 90 | Measurement Flux | 1340.00 lm |
| Measurement Distance | 0.00 | | | | |
| Operator | Asselum T2 | Source voltage | | | |
| Temperature | 25.00 °C | Source current | | | |
| Humidity | 60.00 % | Photocell | | | |
| Notes | | | | | |

| Luminaire Lamps | | | | | | |
|-----------------|--------------------|-------------------------------|-----------|----------|------|--|
| Line | Code | Name | Flux [lm] | Pow. [W] | Q.ty | |
| Eulumdat | STANDAR GOC 100W O | STANDAR GOC 100W O - 100.00 W | 1340.00 | 100.00 | 1 | |
| C.I.E. | 85 96 99 100 17 | D DIN 5040 | | | | |
| F UTE | 0.17 A | B NBN | | | | |
| | | A60 | | | | |
| | | BZ 1 | | | | |

Diam=265mm



C Halfplanes
 180.0 — 0.0
 270.0 — 90.0

ULOR 0.00 %
 DLOR 17.13 %
 RN 0.00 %

