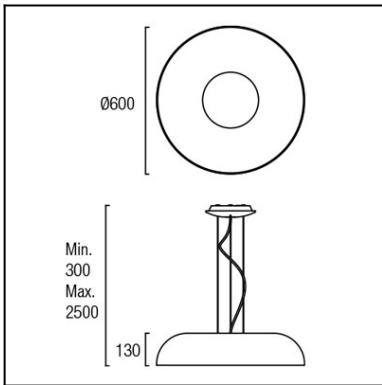


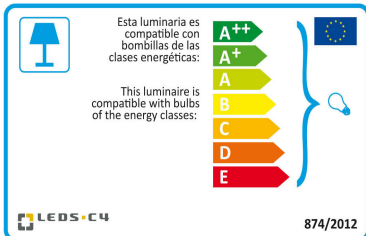
Design by Benedito Design



The photograph may not match the reference exactly. Please read the product description to identify the finish.



Download photometric file .ldt / .ies



Click on image to download energy label

TECHNICAL CHARACTERISTICS

Type:	Pendant
IP Protection degrees:	IP20
Light source 1:	1 x 2GX13 40W
Light source 2:	1 x 2GX13 22W
Total power consumption (W):	57.6
Voltage / Frequency:	220-240V/50-60Hz
Warranty (Years):	2
Units per box:	1
Net Weight (Kg):	6.04
EAN:	8435111091036



MATERIALS / FINISHES

Structure material: Steel
Structure finish: Matt white

Diffuser material: Methacrylate
Diffuser finish: Opal

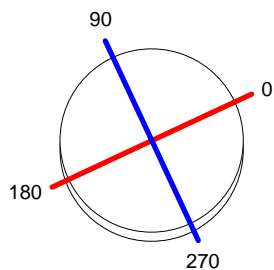
GEAR

Gear included: Yes, electronic

Luminaire		Measur.		Lamp	
Code	00-0056-05-M1	Code	00-0056-05-M1	Code	-
Name	TANDEM	Name	TANDEM	Number	2
Line	Eulumdat	Date	23-07-2012	Position	
Efficiency	52.03%	Coordinate system	CG	Total Flux	5000.00 lm
Maximum value	883.17 cd	Position	C=0.00 G=5.00	Double Symmetrical	
Round Luminaire	Diam.	600 mm	Height	135 mm	
Round Luminous Area	Diam.	570 mm	Height	0 mm	
Horizontal Luminous Area	0.255176 m2	Emitting area on Plane 180°	0.000000 m2		
Emitting area on Plane 0°	0.000000 m2	Emitting area on Plane 270°	0.000000 m2		
Emitting area on Plane 90°	0.000000 m2	Glare area at 76°	0.061733 m2		
Symmetry Type	Double Symmetrical	Maximum Gamma Angle	90		
Measurement Distance	0.00	Measurement Flux	5000.00 lm		
Operator	Asselum T2	Source voltage			
Temperature	25.00 °C	Source current			
Humidity	60.00 %	Photocell			
Notes					

Line	Eulumdat	Code	Luminaire Lamps		Flux [lm]	Pow. [W]	Q.ty
			Name	--			
C.I.E.	46 79 96 100 52	-	D DIN 5040	A30	2500.00	31.00	2
F UTE	0.52 E	-	B NBN	BZ 5			

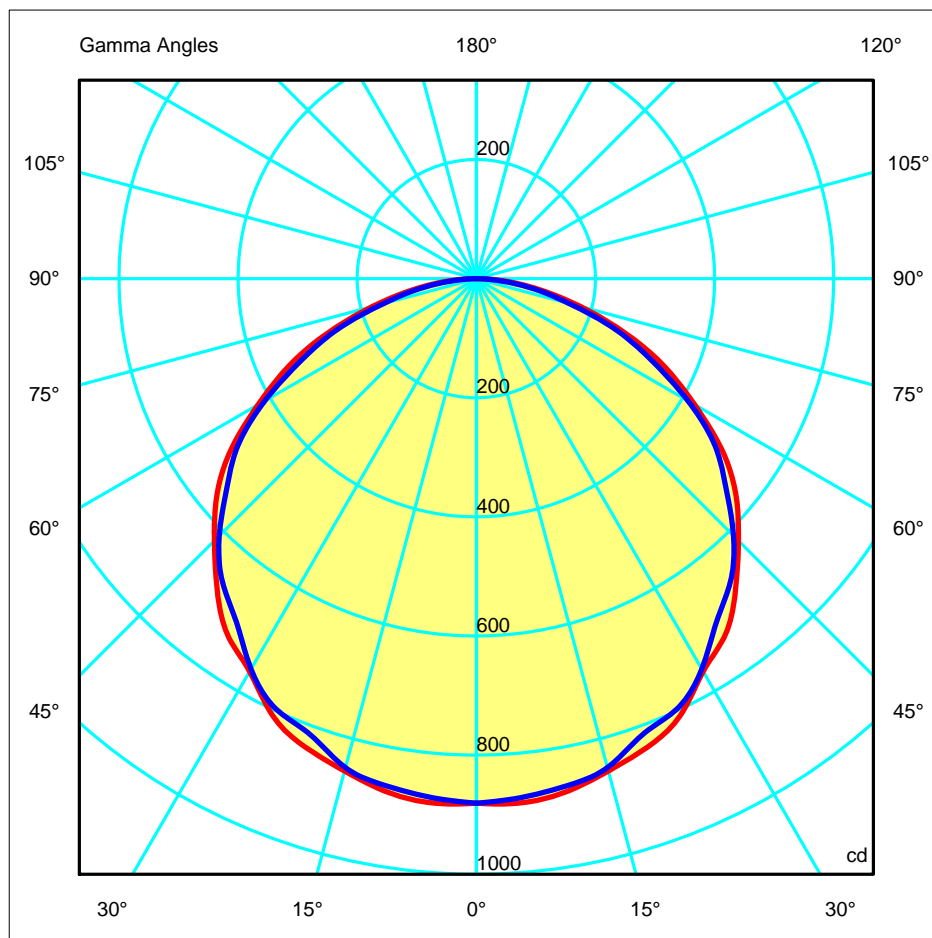
Diam=600mm

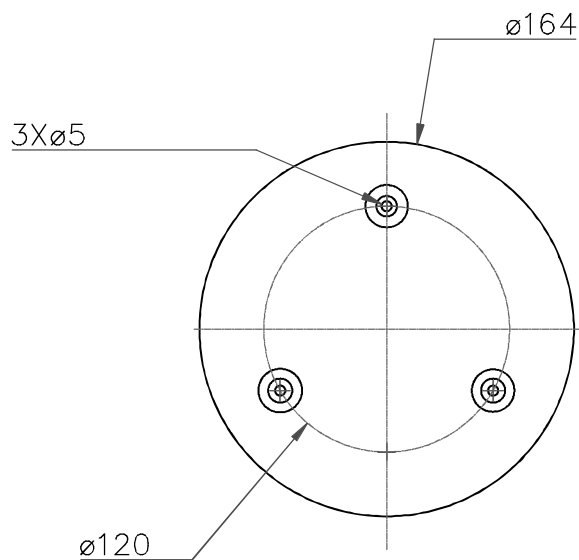
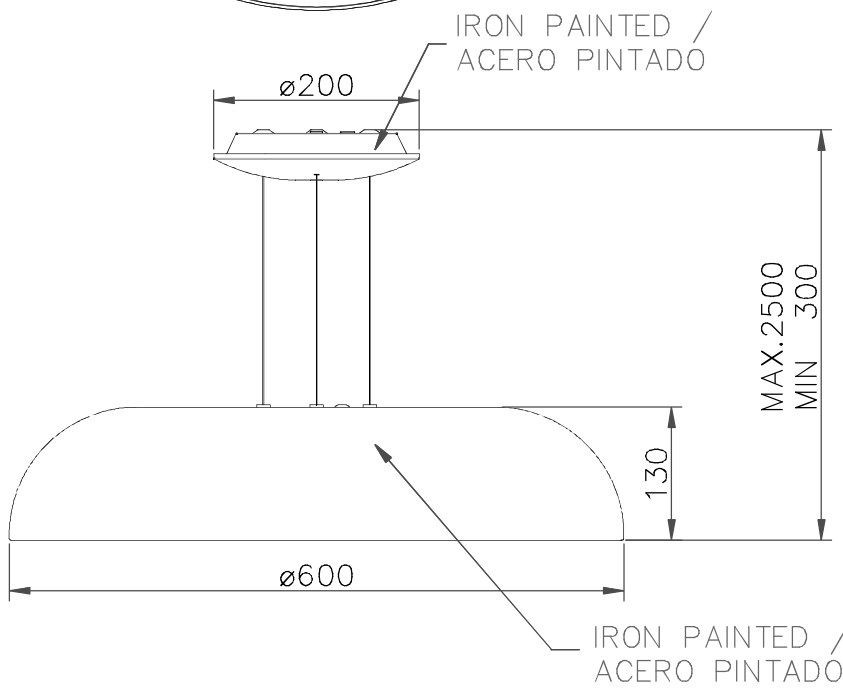
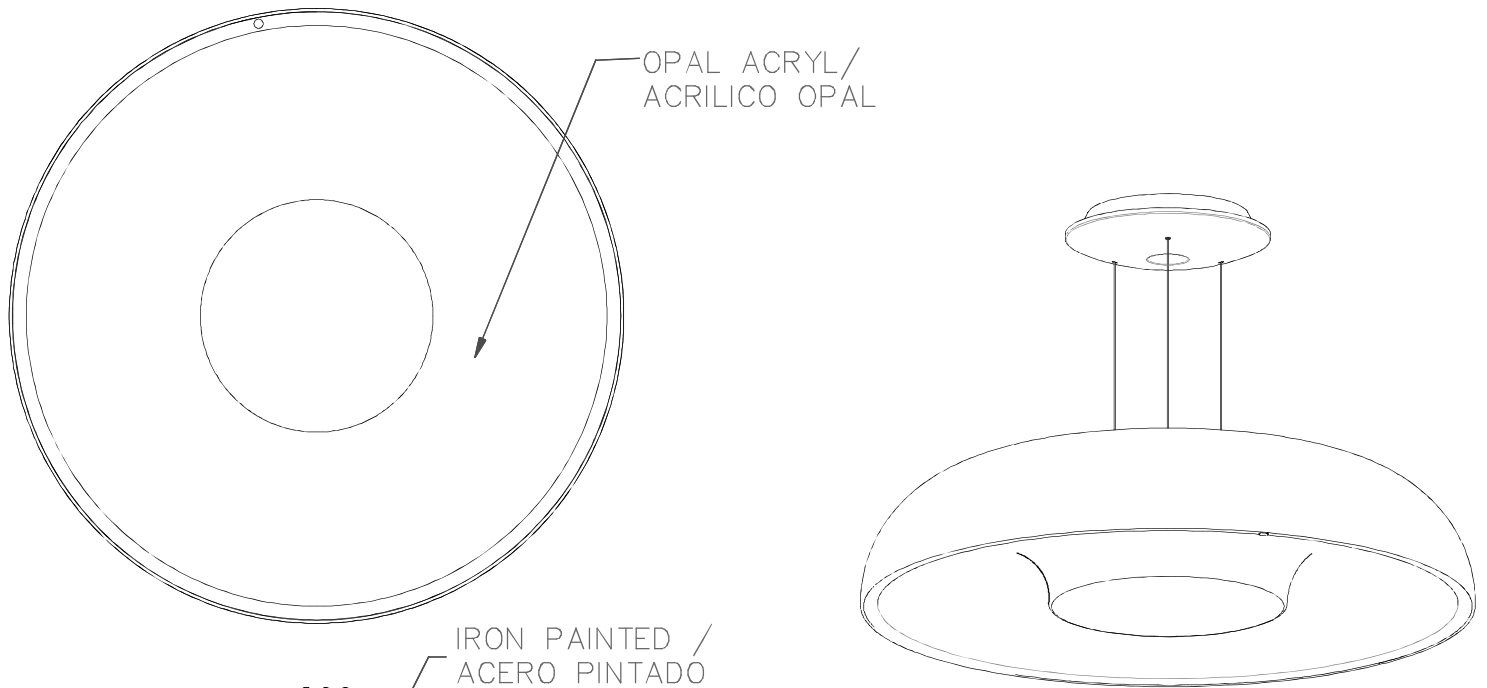


C Halfplanes

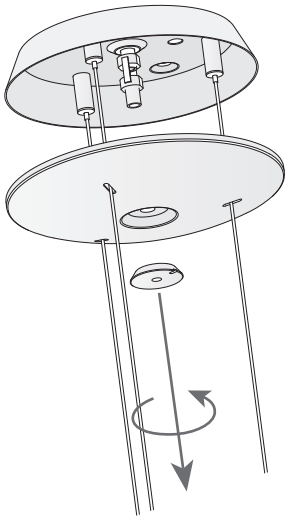
180.0 — 0.0
270.0 — 90.0

ULOR 0.00 %
DLOR 52.03 %
RN 0.00 %

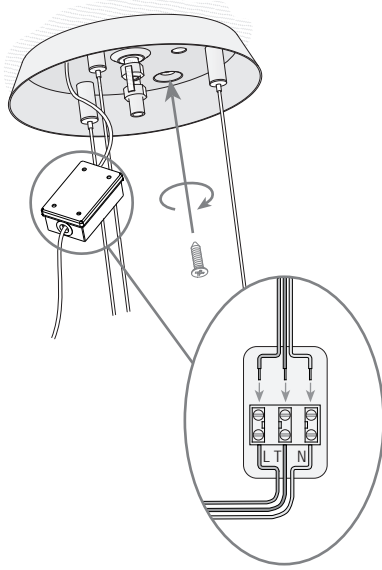




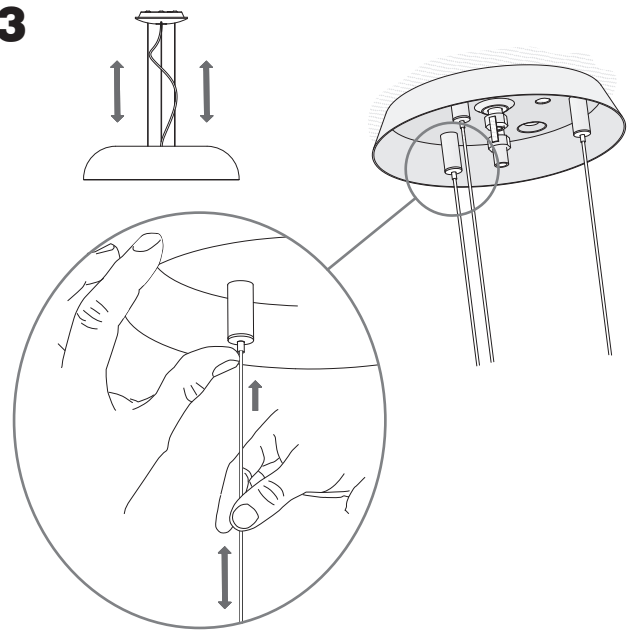
1



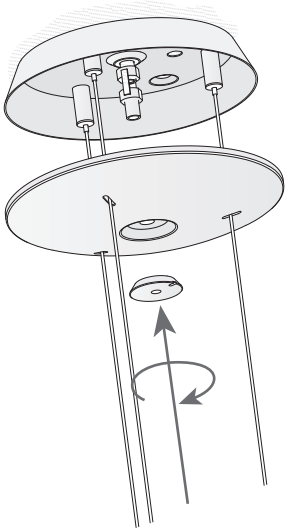
2



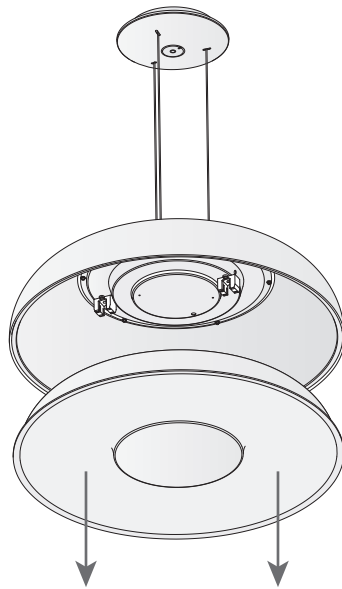
3



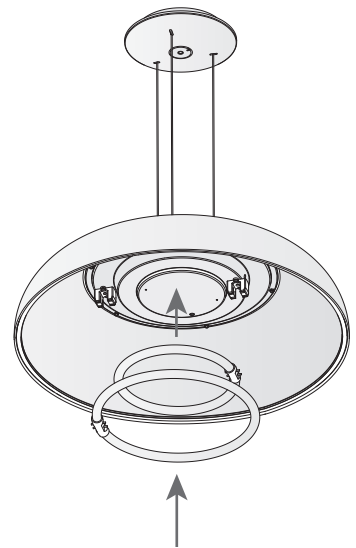
4



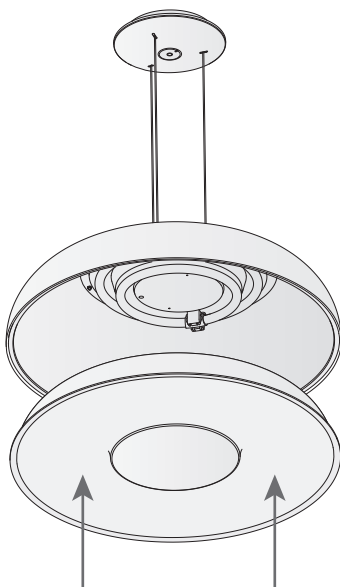
5



6



7



8

