



## UNO 8" WALL SCONCE

SCM411



The Uno Wall Sconce is a nod to our industrial roots. Designed around a single Uno socket and shade holder, with multiple shades in various materials, the options for this series are endless. These sconces are for interior use, great fixtures in a living area, bedroom or kitchen.

### FEATURES + BENEFITS

- White, acid-etched, oval, glass shade made in the USA.
- On-Off Switch on Socket.
- Polyester powder coat finish provides color retention and scratch resistance.
- UL Listed for Damp/Dry Location.
- Warranty: Limited 1 Year.
- Made in USA.

## SPECIFICATIONS

### Product Dimensions:

Width 8", Height 11 3/4", Depth 9 5/8", Canopy Dia. 5"

### Lamping:

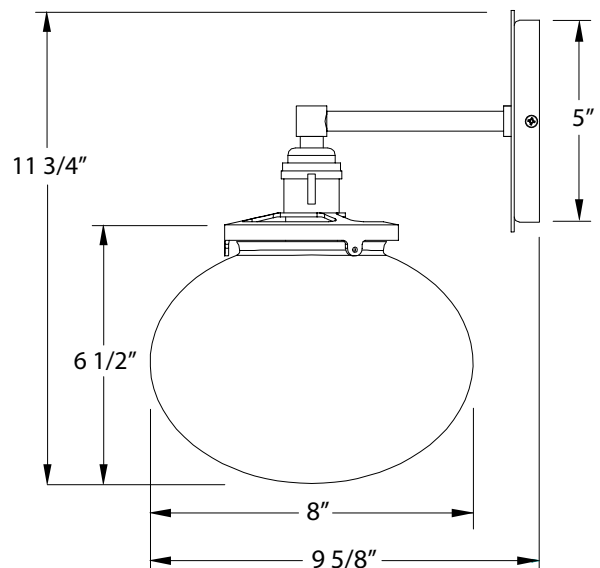
Max Wattage: 100W per socket

### Options:

- Finish: Brushed Brass or Brushed Nickel Hardware (Arm and Socket) with choice of Slate Gray, Black, Forest Green, White Gloss, Sea Green, Navy, Architectural Bronze, Light Blue, Barn Red Canopy

### Shipping:

At Montclair Light Works we proudly manufacture, assemble, and ship your lamp within 7-13 business days from our factory in Montclair CA.



JOB/LOCATION

QUANTITY

DATE

NOTES