

shown in Brushed Nickel
with Light Maple blades



T-24

Designed in 2019



The T-24 is Matthews' reserved, yet contemporary, 52" three-blade ceiling fan. The efficient 3-speed AC motor and Title 24 qualified LED Light Kit are operated by wall control. The T-24 is offered in Brushed Nickel, Matte White, Matte Black and Textured Bronze with reversible solid wood blades available in Matte White/Brushed Nickel, Gray Ash/Walnut, Old Oak/Matte Black or Light Maple/Barn Wood finishes.

Product Features

Title 24
Title 24
Compliant



NEW

T-24

FINISH AND BLADE OPTIONS

SKU#	T24-XXX-XXX (Model+Finish+Blade)	
Standard Finishes	Brushed Nickel	BN
	Matte Black	BK
	Matte White	MWH
Blade Finishes (Reversible)	Textured Bronze	TB
	Matte White / Brushed Nickel	MWH / BN
	Gray Ash / Walnut	GA / WA
	Light Maple / Barn Wood	MA / BW
	Old Oak / Matte Black	OO / BK

TECHNICAL SPECS

Fan Diameter	52 inches / 132 cm
Overall Drop	10 inches / 25 cm+ downrod length
Fan Weight	22 lbs
Voltage	110 or 220
Motor Type	AC
Downrod Diameter	1 inch
Environment	Damp locations for all finishes Neither coastal, saltwater nor chlorine compatible
Ambience	Silent
Safety Certification	UL / CUL
Warranty	Limited Lifetime

NEW JAN 21, 2020 DOE MOTOR EFFICIENCY DATA

RPM (Low / High)	68 / 169
CFM (Low / High)	1993 / 5185
Watts (High)	61.44
CFM/Watt (High)	93
Blade Pitch	14°

LIGHT KIT PHOTOMETRICS

Lamping (Replaceable)	Integrated LED
Remote Dimmable	Yes
Delivered Temperature in K	2899
Delivered Lumens	631.9
CRI	91.3
Watts	20
Hours	36,000

Light kit longevity if used 6 Hours/Day: 16.4 Years

STANDARD EQUIPMENT

One downrod of 10 inches / 13 cm

Vaulted ceiling canopy for up to 29°

Decora-style, 3-speed,
dimmable wall control



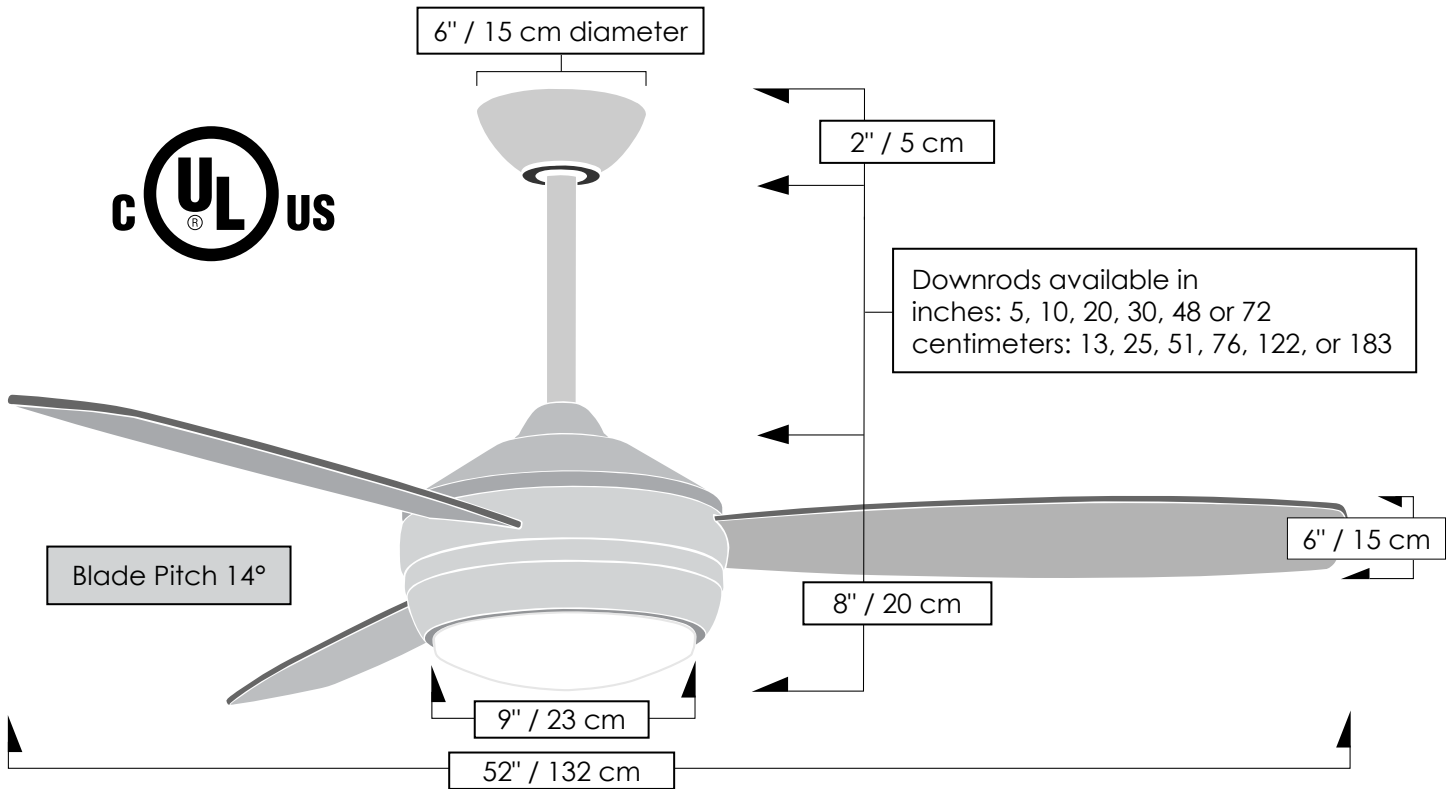
ACCESSORY

3-speed RF remote control in black



Blade Options (Reversible)





CEILING PITCH TABLE	
0/12	0 degrees
1/12	4.76 degrees
2/12	9.46 degrees
3/12	14.04 degrees
4/12	18.43 degrees
5/12	22.62 degrees
6/12	26.57 degrees
7/12	30.26 degrees
8/12	33.69 degrees
9/12	36.87 degrees
10/12	39.81 degrees
11/12	42.51 degrees

CEILING HEIGHT / DOWNROD TABLE	
Ceiling Height	Downrod Lengths <i>Field cuttable. Non-threaded</i>
10 ft or less	5 inches / 13 cm <i>Use safety cages if applicable</i>
10 - 12 feet	10 inches / 25 cm
13 feet	20 inches / 51 cm
14 feet	30 inches / 76 cm
15 feet	48 inches / 122 cm
16 feet +	72 inches / 183 cm

Matthews Fan Company

1881 Industrial Drive
 Libertyville, IL 60048
 Tele: 847.680.9043
 Fax: 847.680.8140
 www.matthewsfanco.com

© 2020 Matthews Fan Company. All rights reserved.

