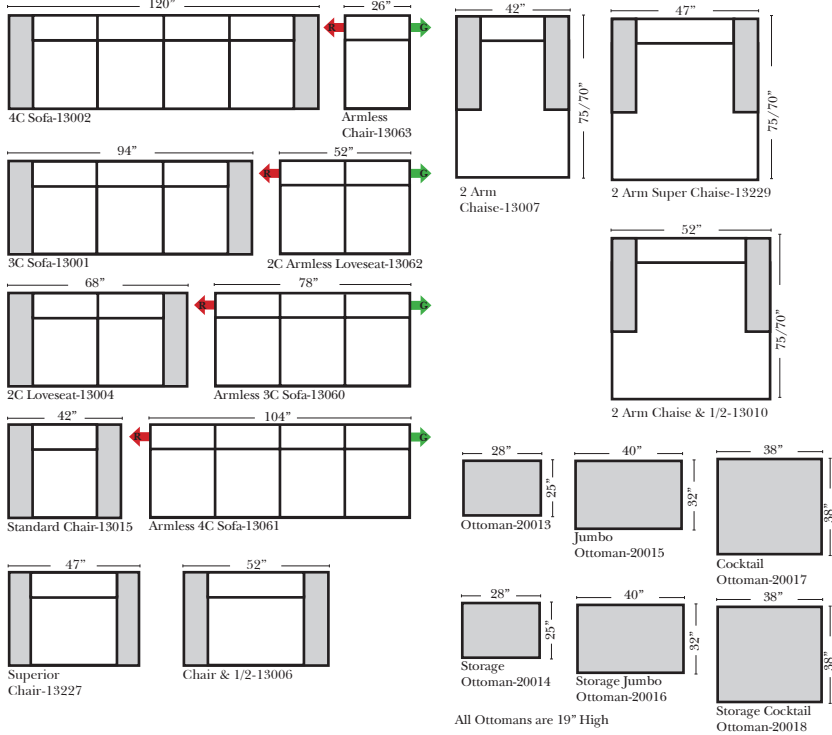
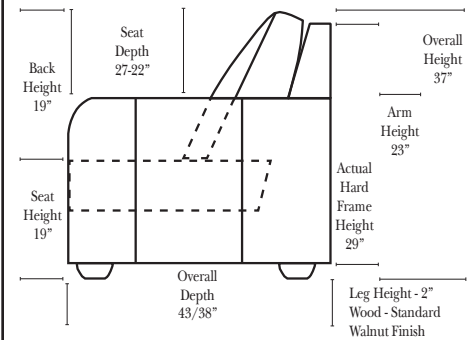
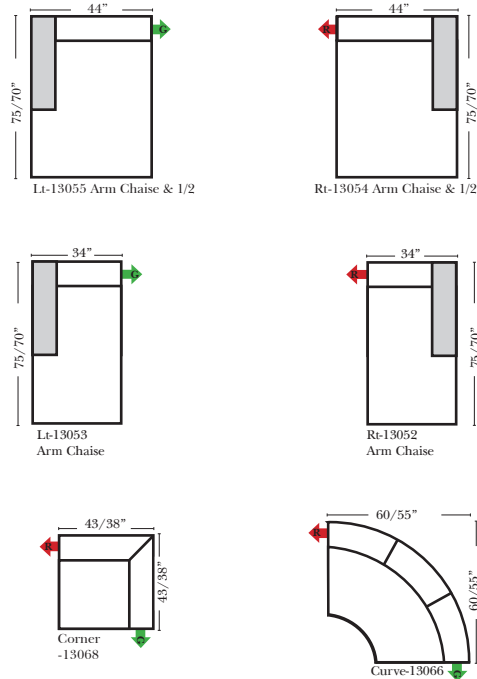


### Standard / Ottomans / Armless

Put Green Arrows with Red Arrows to Create Sectional Groups



### Additional Sectional Items



### Standard & options

#### Standard:

- Available in Full & Top Grain Leathers
- Available in Luxury Fabrics
- All Hardwood Frames
- Wood Leg Finish (Standard is Walnut)

#### Options: (No Additional Charge)

- No. 33 Firm Foam Cushions
- Wood Leg Finish (Available in Cherry, Chocolate, Espresso, Honey Oak, & Shadow)

#### Options: (additional Charge)

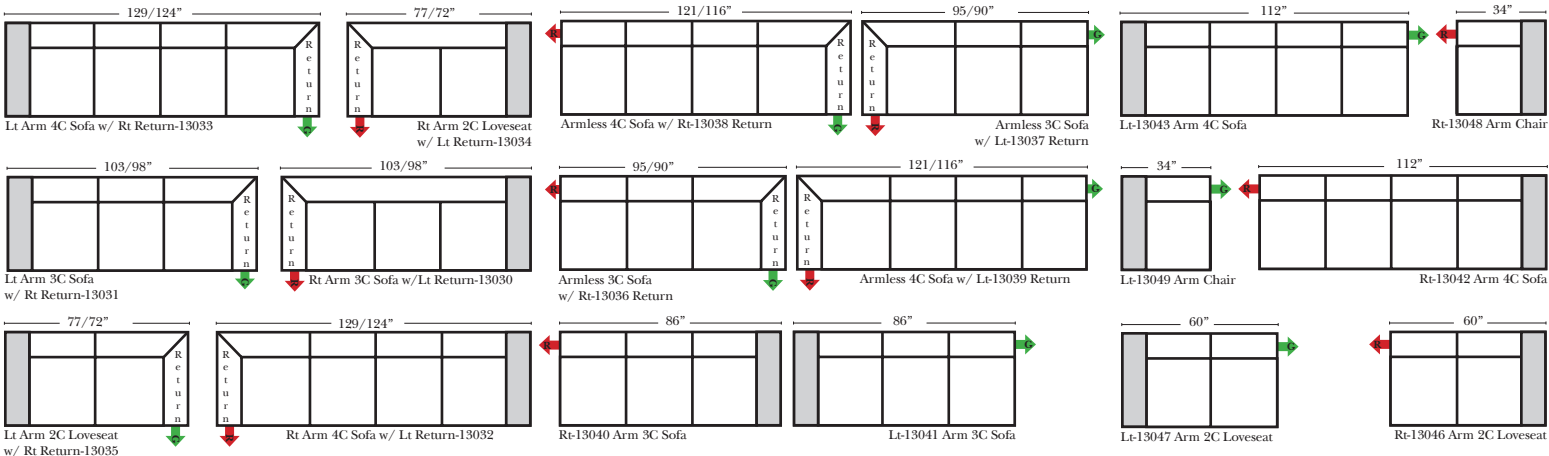
- Down Seats & Down Backs
- Upholstered Swivel Base (2 arm Chair Only) (Not available on Super Chair or Chair & 1/2)

#### Sleeper Options: (N/A on this Style)

### L-Shape / 90 Degree Sectional

(All 4 seat items ship as one piece if stationary, two pieces if motion installed)

Put Green Arrows with Red Arrows to Create Sectional Groups

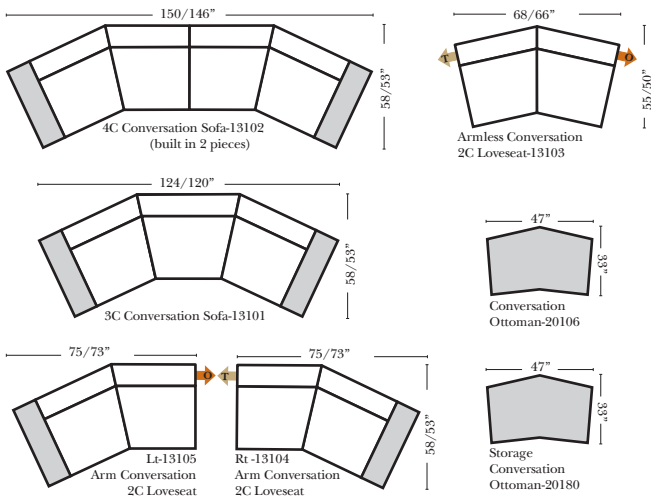
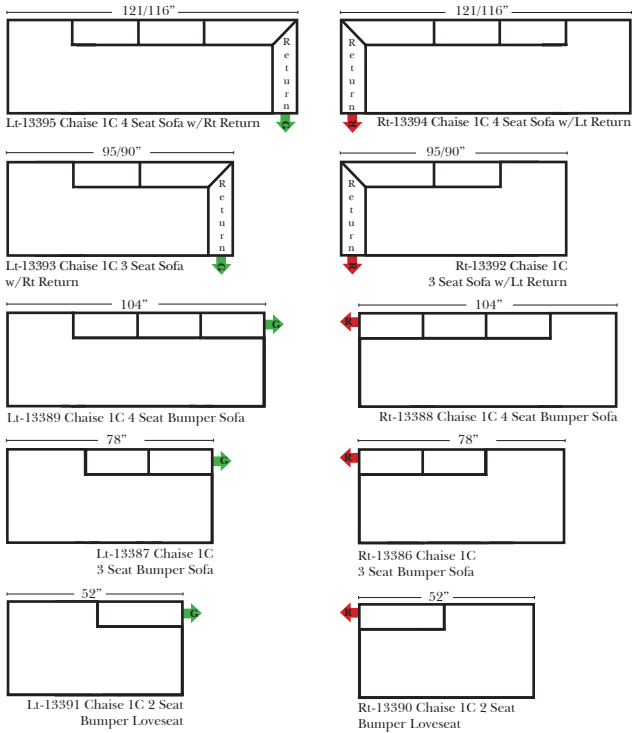


#### Note:

All Dimensions are approximate, if accuracy is crucial, please contact us for validation of the dimensions shown. However, a 1" to 2" variance can still apply due to foam and upholstery.

## Bumper / Return Chaise & Conversation Sofas

Put Green Arrows with Red Arrows to Create Sectional Groups → ←



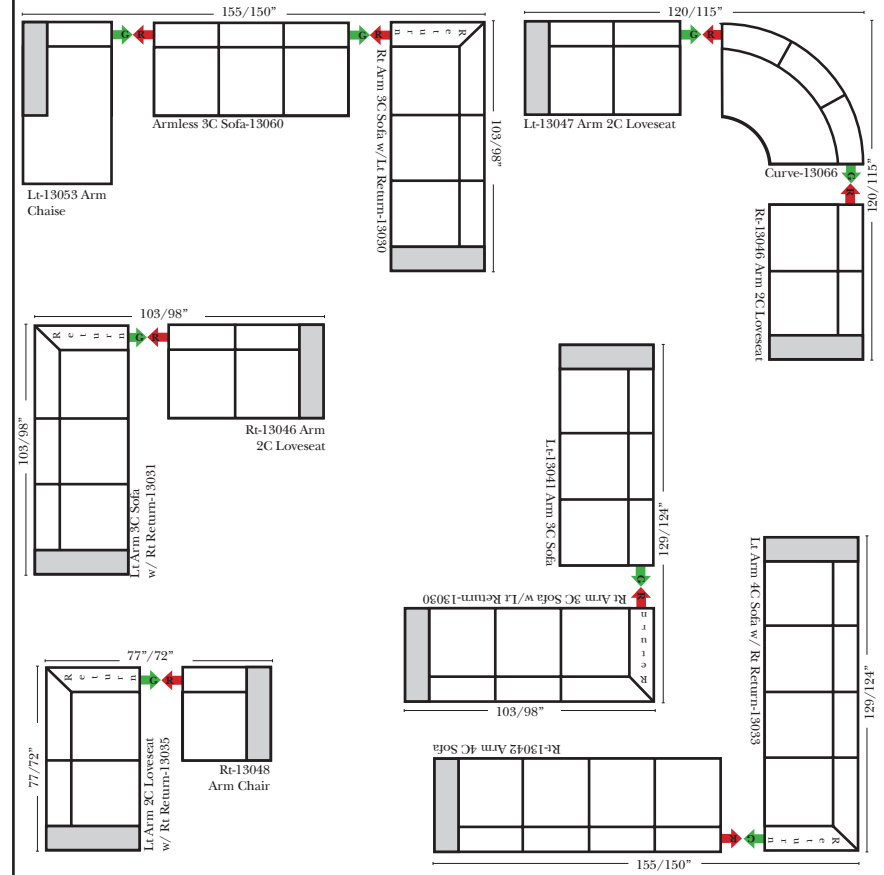
## Sleepers N/A

Sleepers not available for this style

## Suggested Configurations

v.03.09.21

The Suggested Configurations below are only a sample of what the imagination can create, please enjoy creating the configuration that fits your lifestyle, using the ideas below and from the items on the opposite page.

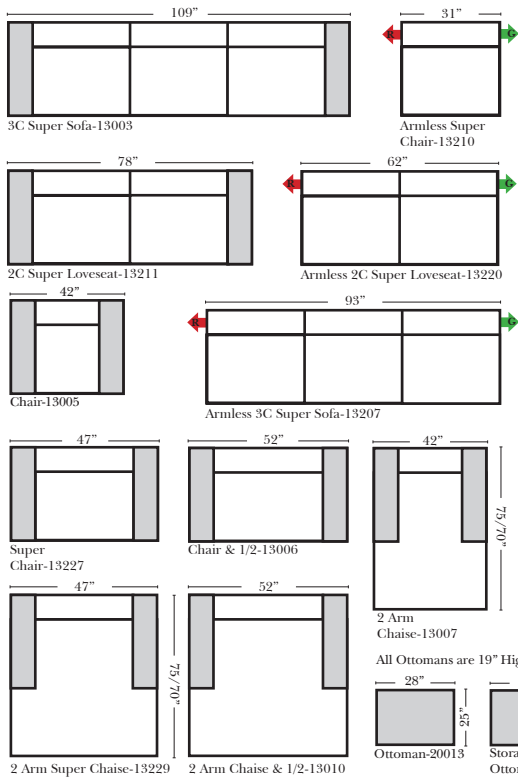


## Sleepers (Cont.)

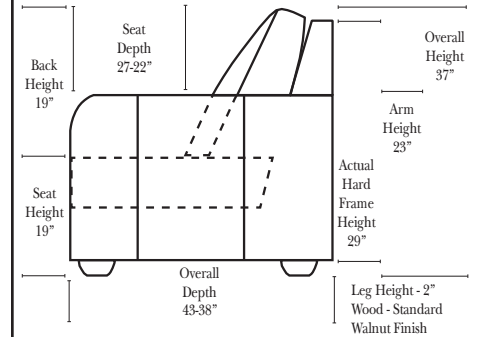
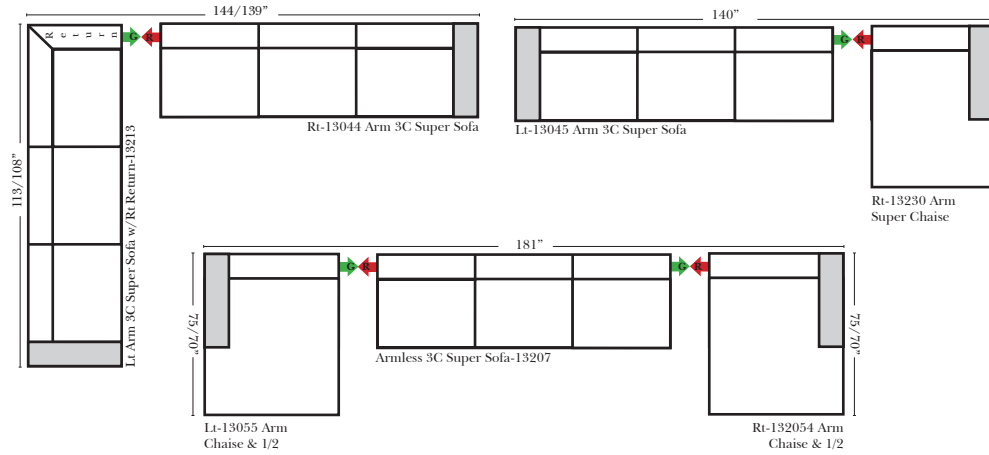
### Standard / Ottomans / Armless

### Suggested Configurations

Put Green Arrows with Red Arrows to Create Sectional Groups → ←



The Suggested Configurations below are only a sample of what the imagination can create, please enjoy creating the configuration that fits your lifestyle, using the ideas below.



### Standard & options

#### Standard:

- Available in Full & Top Grain Leathers
- Available in Luxury Fabrics
- All Hardwood Frames
- Wood Leg Finish (Standard is Walnut)

#### Options: (No Additional Charge)

- No. 33 Firm Foam Cushions
- Wood Leg Finish (Available in Cherry, Chocolate, Espresso, Honey Oak, & Shadow)

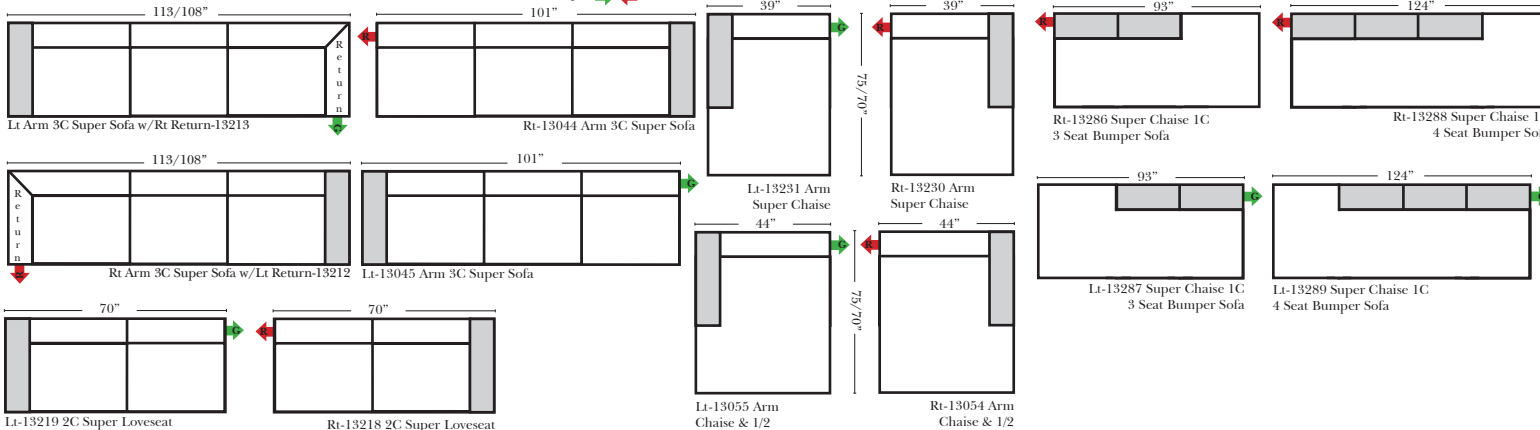
#### Options: (additional Charge)

- Down Seats & Down Backs
- Upholstered Swivel Base (2 arm Chair Only) (Not available on Super Chair or Chair & 1/2)

#### Sleeper Options: (N/A on this Style)

### L-Shape / 90 Degree Sectional

Put Green Arrows with Red Arrows to Create Sectional Groups → ←



#### Note:

All Dimensions are approximate, if accuracy is crucial, please contact us for validation of the dimensions shown. However, a 1" to 2" variance can still apply due to foam and upholstery.