

shown in Gloss White
with 42" Barn Wood blades



Irene-3H

Designed in 2013



The Irene-3H ceiling-mount fan is rustic, yet strikingly modern with three neatly joined, solid wood matte black, matte white, walnut, or barn wood tone blades. A cylindrical motor housing complements its minimal profile. Irene-3H is streamline while still appearing warm and natural. Constructed of cast aluminum and heavy stamped steel, the Irene-3H has a limited lifetime warranty.

Product Features



DC
Motor



Damp
Location



Silent



Remote
Control



Wall
Control



IRENE-3H

FINISH AND BLADE OPTIONS

SKU#	IR3H-XXXX-XXX-XX (Model+Finish+Blade+Diameter)	
NEW Standard Finishes	Barn Wood	BW
	Brushed Brass	BRBR
	Brushed Bronze	BB
	Brushed Nickel	BN
	Gloss White	WH
	Matte Black	BK
	Polished Chrome	CR
NEW Blade Finishes	Textured Bronze	TB
	Walnut	WN
	Barn Wood Tone	BW
	Matte Black	BK
Fan Diameter	Matte White	MWH
	Walnut Tone	WA
	42 inches / 107 cm	42
	52 inches / 132 cm	52
	60 inches / 152 cm	60

TECHNICAL SPECS

Fan Diameter	inches: 42, 52 or 60 centimeters: 107, 132 or 152
Overall Drop	10 inches / 25 cm
Fan Weight	11 lbs
Voltage	110 or 220
Motor Type	DC
Environment	Damp locations for all finishes Neither coastal, saltwater nor chlorine compatible
Ambience	Silent
Safety Certification	ETL / CETL
Warranty	Limited Lifetime

NEW JAN 21, 2020 DOE MOTOR EFFICIENCY DATA

Fan Diameter	42 inch / 107 cm	52 inch / 132 cm	60 inch / 152 cm
RPM (Low/High)	51 / 231	51 / 193	52 / 155
CFM (Low/High)	746 / 3746	1531 / 5326	1755 / 5720
Watts (High)	17.61	32.38	32.08
CFM/Watt (High)	212.53	164.47	178.31
Blade Pitch	15°	15°	15°

STANDARD EQUIPMENT

Black 6-speed RF remote control with reverse



White wireless Decora-style, 6-speed, wall control with reverse



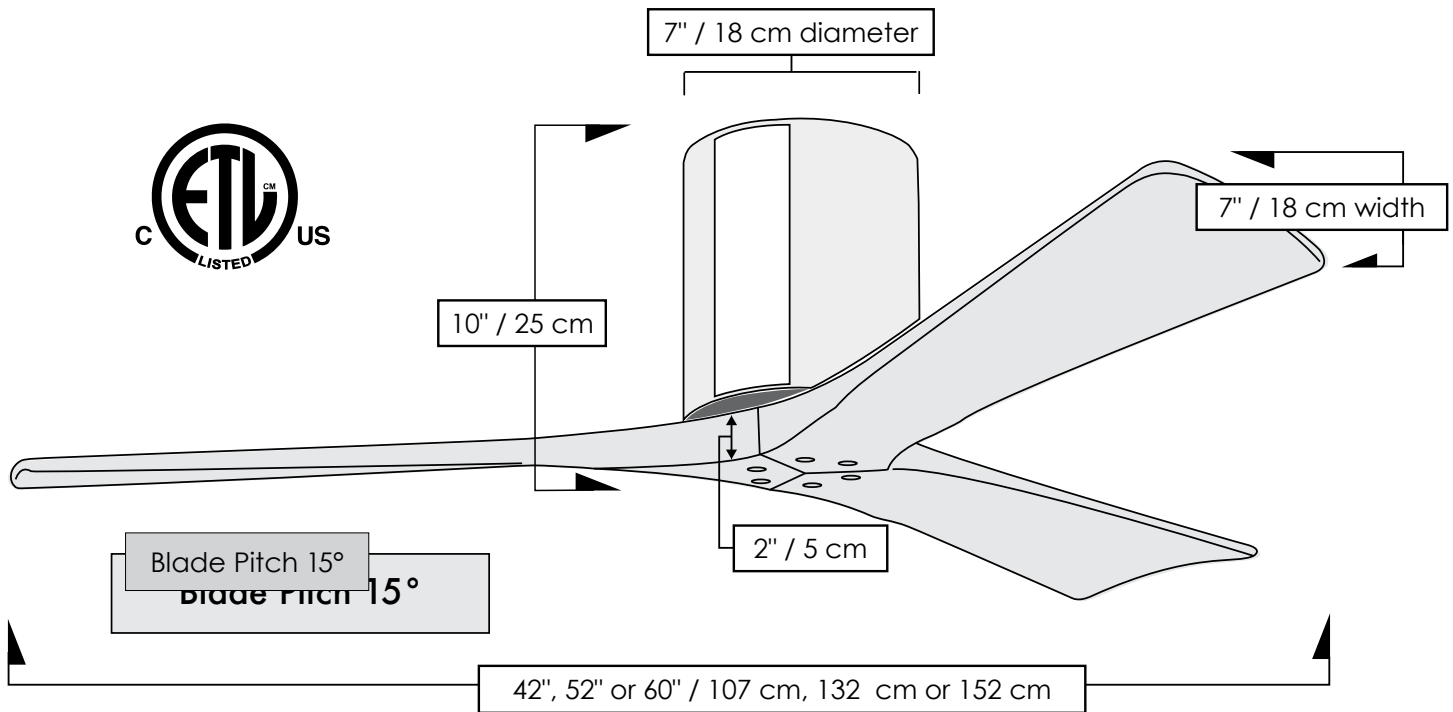
NOTE: Only compatible with included controllers.

Blade Options



Irene-3H

TECHNICAL SPECIFICATIONS



CEILING PITCH TABLE

0/12	0 degrees
1/12	4.76 degrees
2/12	9.46 degrees
3/12	14.04 degrees
4/12	18.43 degrees
5/12	22.62 degrees
6/12	26.57 degrees
7/12	30.26 degrees
8/12	33.69 degrees
9/12	36.87 degrees
10/12	39.81 degrees
11/12	42.51 degrees

CEILING HEIGHT TABLE

Suitable for ceiling heights 7'10" or greater

Matthews Fan Company

1881 Industrial Drive
 Libertyville, IL 60048
 Tele: 847.680.9043
 Fax: 847.680.8140
 www.matthewsfanco.com

© 2020 Matthews Fan Company. All rights reserved.

