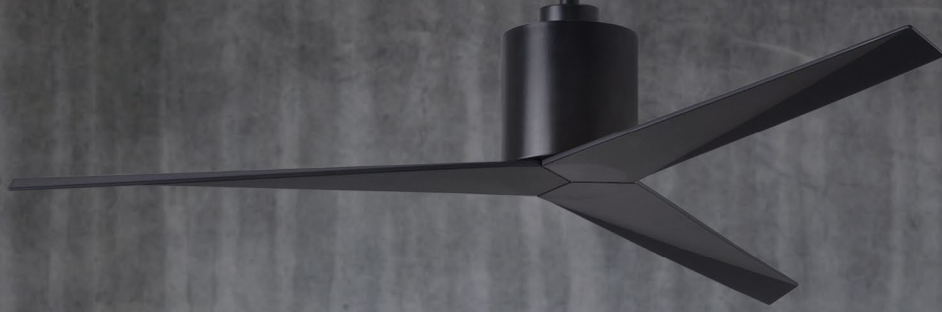


shown in Matte Black
with Matte Black blades



Eliza

Geometry in Motion
Designed in 2014



Designed by Chicago architect Stephen Katz in 2013, the wet location Eliza blends a beautiful technically derived form with superior function and movement. The unique blade shape is designed to maximize air movement at the outer edge of the blade. The result is more efficient air velocity rings, less blade drag and greater motor optimization. Equally important is Eliza's stationary visual statement which combines modern utility with minimalist geometry. Constructed of cast aluminum and heavy stamped steel, the Eliza has a limited lifetime warranty.

Product Features



DC
Motor



Wet
Location



Silent



Remote
Control



Wall
Control



Unipack
Shipping



shown in Gloss White with Gloss White blades

shown in Gloss White with Walnut blades

shown in Matte Black with Old Oak blades

shown in Gloss White with Barn Wood blades

shown in Brushed Nickel with Gray Ash blades

shown in Brushed Nickel with Brushed Nickel blades

shown in Matte Black with Matte Black blades

ELIZA

FINISH AND BLADE OPTIONS

SKU#	EK-XX-XX (Model+Finish+Blade)	
Standard Finishes	Brushed Nickel Gloss White Matte Black	BN WH BK
Blade Finish	Barn Wood Brushed Nickel Gloss White Gray Ash Matte Black Old Oak Walnut	BW BN WH GA BK OO WN



TECHNICAL SPECS

Fan Diameter	56 inches / 142 cm
Overall Drop	12 inches / 30 cm + downrod length
Fan Weight	17 lbs
Voltage	110 or 220
Motor Type	DC
Downrods Lengths <i>Field cuttable, non-threaded</i>	inches: 5, 10, 20, 30, 48, 72 centimeters: 13, 25, 51, 76, 122, 183
Downrod Diameter	1 inch
Environment	Wet locations for all finishes All weather blade system. Neither coastal, saltwater nor chlorine compatible
Ambience	Silent
Safety Certification	ETL / CETL
Warranty	Limited Lifetime

NEW JAN 21, 2020 DOE MOTOR EFFICIENCY DATA

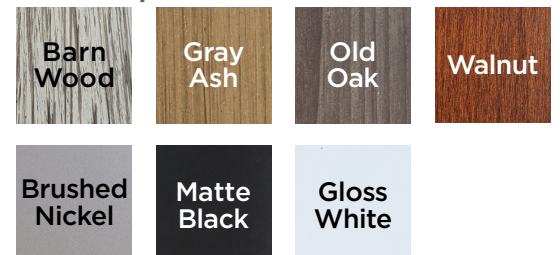
RPM (Low / High)	55 / 172
CFM (Low / High)	1633 / 5439
Watts (High)	33.13
CFM/Watt (High)	164.16
Blade Pitch	27°

STANDARD EQUIPMENT

One downrod of 10 inches / 13 cm	
Vaulted ceiling canopy for up to 30°	
 <p>Black 6-speed RF remote control with reverse</p>	 <p>White wireless Decora-style, 6-speed, wall control with reverse</p>

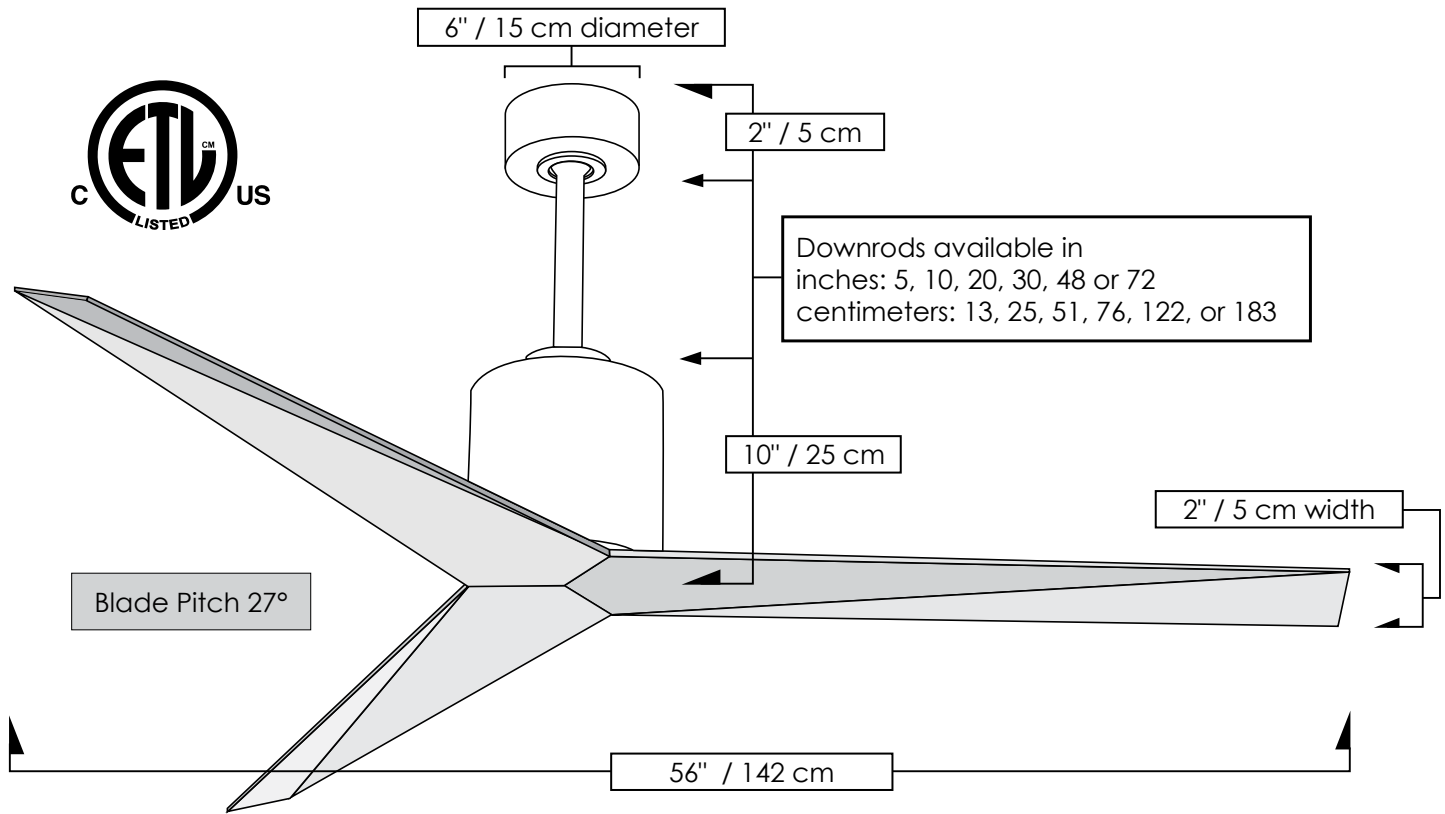
NOTE: Only compatible with included controllers.

Blade Options



Eliza

TECHNICAL SPECIFICATIONS



CEILING PITCH TABLE	
0/12	0 degrees
1/12	4.76 degrees
2/12	9.46 degrees
3/12	14.04 degrees
4/12	18.43 degrees
5/12	22.62 degrees
6/12	26.57 degrees
7/12	30.26 degrees
8/12	33.69 degrees
9/12	36.87 degrees
10/12	39.81 degrees
11/12	42.51 degrees

CEILING HEIGHT / DOWNROD TABLE	
Ceiling Height	Downrod Lengths <i>Field cuttable. Non-threaded</i>
10 ft or less	5 inches / 13 cm <i>Use safety cages if applicable</i>
10 -12 feet	10 inches / 25 cm
13 feet	20 inches / 51 cm
14 feet	30 inches / 76 cm
15 feet	48 inches / 122 cm
16 feet +	72 inches / 183 cm

Matthews Fan Company

1881 Industrial Drive
 Libertyville, IL 60048
 Tele: 847.680.9043
 Fax: 847.680.8140
 www.matthewsfanco.com

© 2020 Matthews Fan Company. All rights reserved.

