

shown in Gloss White  
with Barn Wood blades

*COASTAL WET LOCATION*   
100% 316 MARINE GRADE STAINLESS STEEL



# Donaire

*Designed in 2015*

With teardrop motor housing, the 52" Donaire 316 marine grade stainless steel coastal wet location ceiling fan is transitional in design. Donaire is finished in brushed bronze, brushed stainless, or gloss white, equipped with all weather blades and 16W LED dimmable light kit with optional metal cover. Constructed of entirely 316 marine grade stainless steel, the Donaire carries a limited lifetime warranty.

## Product Features



AC Motor



Coastal Environment



Wet Location



Silent



LED Lamp



Dimmable Lamp



Remote Control



Unipack Shipping



# DONAIRE

## FINISH AND BLADE OPTIONS

SKU#	DA-XX-XX (Model+Finish+Blade)	
Standard Finishes	Brushed Bronze Brushed Stainless Gloss White	<b>BB</b> <b>BS</b> <b>WH</b>
Blade Finish	Barn Wood Tone Brushed Bronze Brushed Stainless Gloss White	<b>BW</b> <b>BB</b> <b>BS</b> <b>WH</b>

## TECHNICAL SPECS

Fan Diameter	52 inches / 132 cm
Overall Drop	8.5 inches / 22 cm + downrod length
Fan Weight	29 lbs
Voltage	110 or 220
Motor Type	AC
Downrods Lengths <i>Field cuttable, Non-Threaded</i>	inches: 5, 10, 20, 30, 48, 72 centimeters: 13, 25, 51, 76, 122, 183
Downrod Diameter	1 inch
Environment	Coastal and wet locations All weather blade system
Ambience	Silent
Safety Certification	UL / CUL
Warranty	Limited Lifetime

## NEW JAN 21, 2020 DOE MOTOR EFFICIENCY DATA

RPM (Low / High)	55 / 172
CFM (Low / High)	1775 / 6013
Watts (High)	58.62
CFM/Watt (High)	102.57
Blade Pitch	14°

## LIGHT KIT PHOTOMETRICS

Lamping (Replaceable)	Integrated LED
Remote Dimmable	Yes
Delivered Temperature in K	3017
Delivered Lumens	725
CRI	90
Watts	16
Hours	60,000

Light kit longevity if used 6 Hours/Day: 27.4 Years

## STANDARD EQUIPMENT

One downrod of 10 inches / 13 cm

Vaulted ceiling canopy for up to 29°

Light cover

Black 3-speed  
RF remote  
control with  
reverse

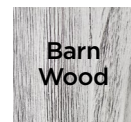
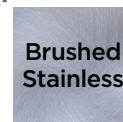
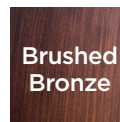


## ACCESSORY

Decora-style,  
3-speed,  
non-dimmable  
wall control

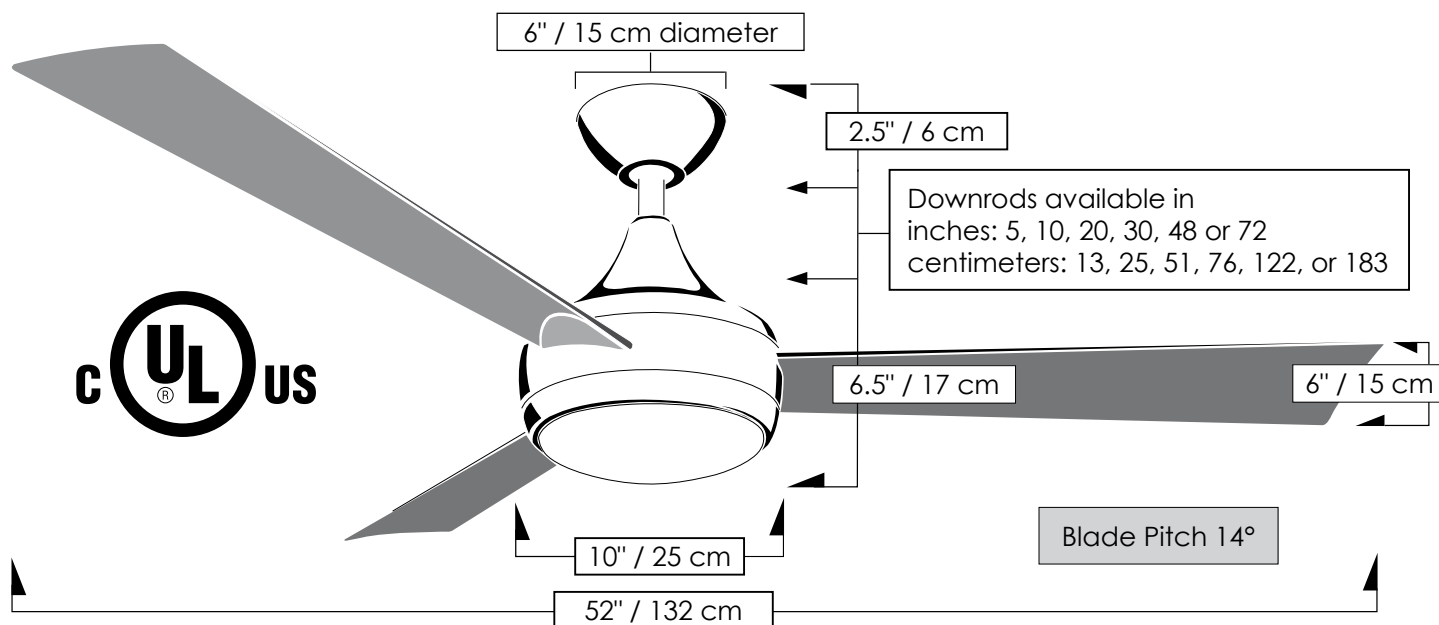


## Blade Options



# Donaire

## TECHNICAL SPECIFICATIONS



### CEILING PITCH TABLE

0/12	0 degrees
1/12	4.76 degrees
2/12	9.46 degrees
3/12	14.04 degrees
4/12	18.43 degrees
5/12	22.62 degrees
6/12	26.57 degrees
7/12	30.26 degrees
8/12	33.69 degrees
9/12	36.87 degrees
10/12	39.81 degrees
11/12	42.51 degrees

### CEILING HEIGHT / DOWNROD TABLE

Ceiling Height	Downrod Lengths <i>Field cuttable. Non-threaded</i>
10 ft or less	5 inches / 13 cm <i>Use safety cages if applicable</i>
10 -12 feet	10 inches / 25 cm
13 feet	20 inches / 51 cm
14 feet	30 inches / 76 cm
15 feet	48 inches / 122 cm
16 feet +	72 inches / 183 cm

#### Matthews Fan Company

1881 Industrial Drive  
Libertyville, IL 60048  
Tele: 847.680.9043  
Fax: 847.680.8140  
www.matthewsfanco.com

© 2020 Matthews Fan Company. All rights reserved.

