

shown in Brushed Nickel with  
Metal blades and Decorative Cage



# Diane

*Designed in 2008*

The Diane directional fan head provides maximum airflow with a sweeping 90° forward and reverse oscillation. The Diane can be hung in small, awkward spaces or in front of HVAC ducts to improve the efficiency of heating, ventilation or air conditioning of any space. Constructed of cast aluminum and heavy stamped steel, the Diane carries a limited lifetime warranty.

## Product Features



American  
Labor



AC  
Motor



90°  
Oscillation



Safety Cage  
Compatible



Damp  
Location



Soothing  
White Noise



Remote  
Control



Unipack  
Shipping

shown in  
Textured Bronze  
with Mahogany blades



shown in Textured  
Bronze with  
Metal blades and  
Decorative Cage



shown in  
Matte Black with  
Matte Black blades



shown in Polished Chrome  
with Metal blades and  
Decorative Cage



shown in  
Polished Chrome  
with Barn Wood blades



shown in Brushed Nickel  
with Mahogany blades



# DIANE

## FINISH AND BLADE OPTIONS

SKU#	DI-XX-XXXX (Model+Finish+Blade)	
Standard Finishes	Brushed Nickel Matte Black Polished Chrome Textured Bronze	BN BK CR TB
<b>NEW</b>	Solid Wood/Barn Wood Solid Wood/Mahogany Solid Wood/Matte Black Metal w/ Decorative Cage Metal w/ Safety Cage	WDBW WD WDBK MTL MSAF

## TECHNICAL SPECS

Fan Weight	12 lbs	
Voltage	110 or 220	
Motor Type	AC	
Oscillation	Yes	
Downrods Lengths <i>Field cuttable. Non-threaded</i>	inches: 5, 10, 20, 30, 48, 72 centimeters: 13, 25, 51, 76, 122, 183	
Downrod Diameter	1 inch	
Overall Drop	Metal Blades	14 inches / 36 cm + downrod length
	Wood Blades	12 inches / 30 cm + downrod length
Environment	Damp locations for all finishes Neither coastal, saltwater nor chlorine compatible	
Ambience	Soothing White Noise	
Safety Certification	ETL / CETL	
Warranty	Limited Lifetime	

## NEW JAN 21, 2020 DOE MOTOR EFFICIENCY DATA

Fan Head Options	Solid Wood	Metal with Guard
Fan Diameter	16 inches / 41 cm	13 inches / 33 cm
Fan Blade Diameter	16 inches / 41 cm	13 inches / 33 cm
Guard Options	No Cage Option	Decorative Cage or Safety Cage
RPM (Low / High)	915 / 1352	900 / 1377
CFM (Low / High)	1100 / 1623	1068 / 1345
Watts (High)	51.37	46.14
CFM/Watt (High)	31.60	29.16
Blade Pitch	19°	31°

## STANDARD EQUIPMENT

One downrod of 10 inches / 13 cm

Vaulted ceiling canopy for up to 29°

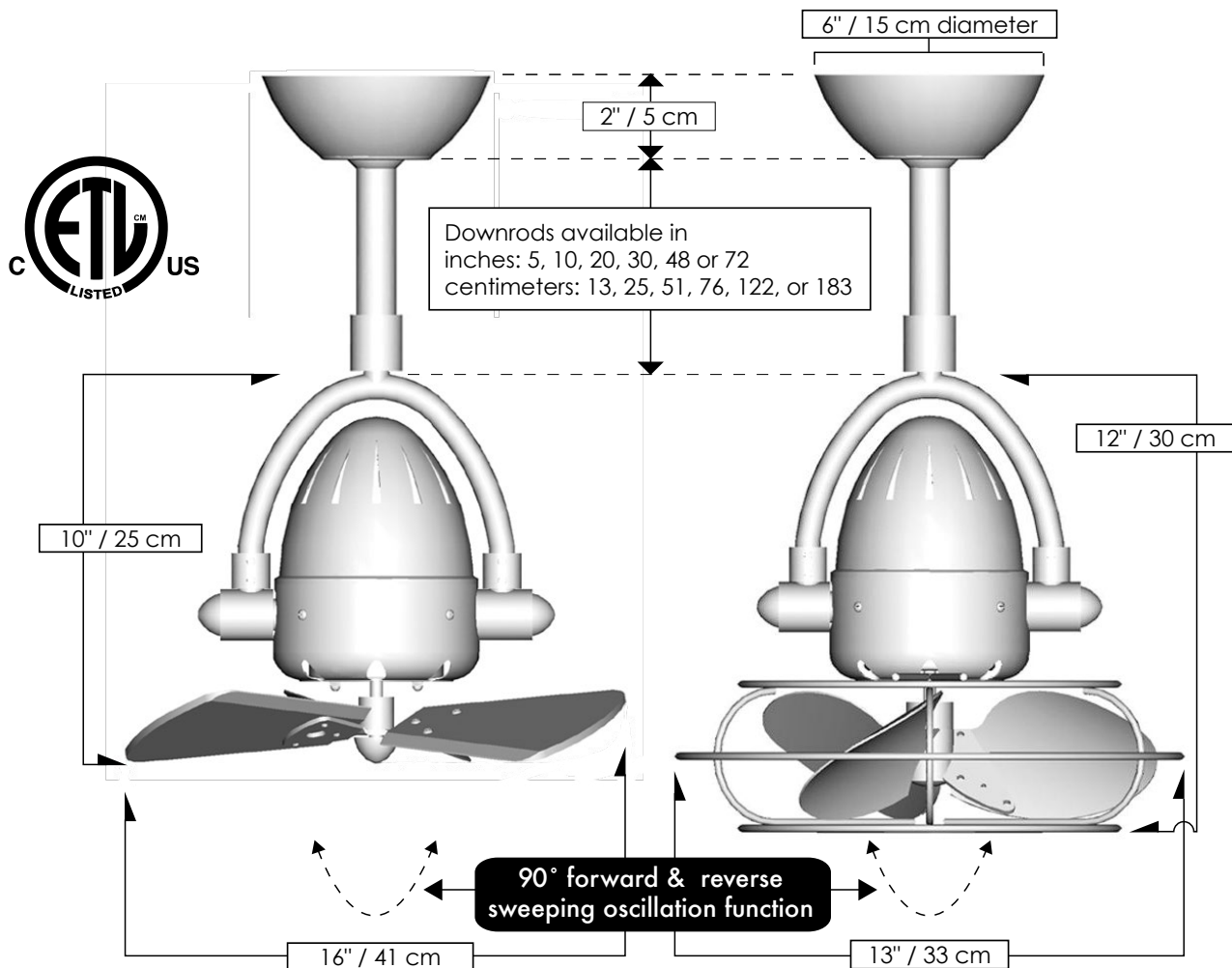
Black 3-speed  
RF remote  
control



## ACCESSORY

Decora-style,  
3-speed wall  
control in white





### CEILING PITCH TABLE

0/12	0 degrees
1/12	4.76 degrees
2/12	9.46 degrees
3/12	14.04 degrees
4/12	18.43 degrees
5/12	22.62 degrees
6/12	26.57 degrees
7/12	30.26 degrees
8/12	33.69 degrees
9/12	36.87 degrees
10/12	39.81 degrees
11/12	42.51 degrees

### CEILING HEIGHT / DOWNROD TABLE

Ceiling Height	Downrod Lengths <i>Field cuttable. Non-threaded</i>
10 ft or less	5 inches / 13 cm <i>Use safety cages if applicable</i>
10 -12 feet	10 inches / 25 cm
13 feet	20 inches / 51 cm
14 feet	30 inches / 76 cm
15 feet	48 inches / 122 cm
16 feet +	72 inches / 183 cm

#### Matthews Fan Company

1881 Industrial Drive  
Libertyville, IL 60048  
Tele: 847.680.9043  
Fax: 847.680.8140  
www.matthewsfanco.com

© 2020 Matthews Fan Company. All rights reserved.

