

shown in Brushed Brass



# Dana

*Designed in 2019*



Both ceiling fan and LED pendant, Dana is our most versatile fixture. Her diminutive blades and LED light kit are concealed by intricate, organically inspired metal work finished in Matte Black, Matte White, Brushed Bronze, or Brushed Brass. Constructed of cast aluminum and heavy stamped steel, the Dana carries a limited lifetime warranty.

### Product Features



AC Motor



Damp Location



Soothing White Noise



LED Lamp



Dimmable Lamp



Remote Control



Wall Control



Unipack Shipping

**NEW**

shown in Brushed Bronze



shown in Matte Black



shown in Matte White



shown in Brushed Brass



# DANA

## FINISH AND BLADE OPTIONS

SKU#	<b>DM-XXXX</b> (Model+Finish)	
Standard Finishes	Brushed Brass Brushed Bronze Matte Black Matte White	<b>BRBR</b> <b>BB</b> <b>BK</b> <b>MWH</b>

## TECHNICAL SPECS

Fan Diameter	20 inches / 51 cm
Overall Drop	16 inches / 41 cm + downrod length
Fan Weight	23 lbs
Voltage	110 or 220
Motor Type	AC
Downrods Lengths <i>Field cuttable, Non-Threaded</i>	inches: 5, 10, 20, 30, 48, 72 centimeters: 13, 25, 51, 76, 122, 183
Downrod Diameter	1 inch
Environment	Damp locations for all finishes Neither coastal, saltwater nor chlorine compatible
Ambience	Soothing White Noise
Safety Certification	UL / CUL
Warranty	Limited Lifetime

## NEW JAN 21, 2020 DOE MOTOR EFFICIENCY DATA

RPM (Low / High)	1095 / 1666
CFM (Low / High)	691 / 1100
Watts (High)	32
CFM/Watt (High)	42
Blade Pitch	31°

## LIGHT KIT PHOTOMETRICS

Lamping (Replaceable)	Integrated LED
Remote Dimmable	Yes
Delivered Temperature in K	2923
Delivered Lumens	516
CRI	93.8
Watts	24
Hours	49,000

Light kit longevity if used 6 Hours/Day: 22.4 Years

## STANDARD EQUIPMENT

One downrod of 10 inches / 13 cm
Vaulted ceiling canopy for up to 29°

Light cover

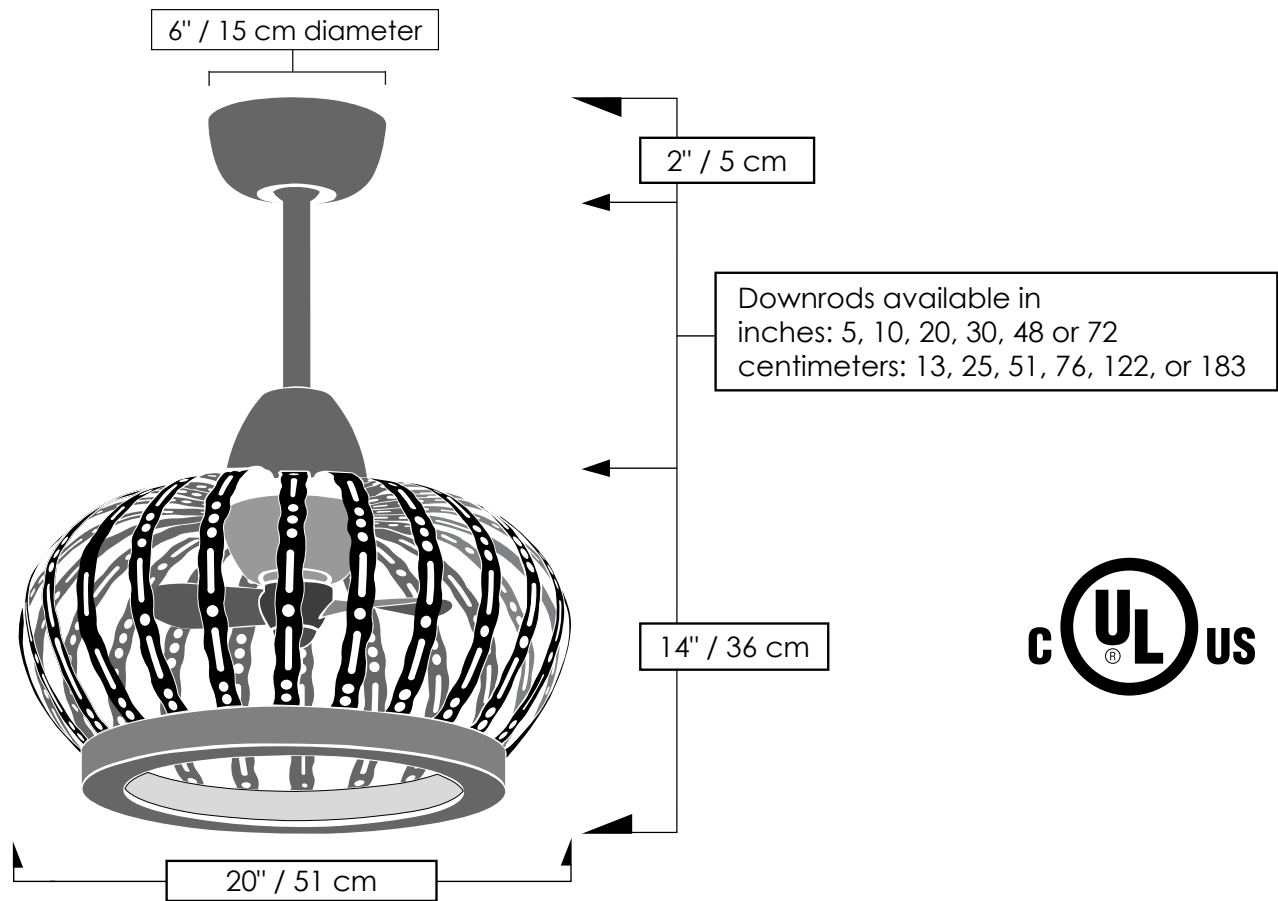
Black 3-speed RF remote control with reverse



## ACCESSORY

Decora-style, 3-speed, non-dimmable wall control





CEILING PITCH TABLE	
0/12	0 degrees
1/12	4.76 degrees
2/12	9.46 degrees
3/12	14.04 degrees
4/12	18.43 degrees
5/12	22.62 degrees
6/12	26.57 degrees
7/12	30.26 degrees
8/12	33.69 degrees
9/12	36.87 degrees
10/12	39.81 degrees
11/12	42.51 degrees

CEILING HEIGHT / DOWNROD TABLE	
Ceiling Height	Downrod Lengths <i>Field cuttable. Non-threaded</i>
10 ft or less	5 inches / 13 cm <i>Use safety cages if applicable</i>
10 -12 feet	10 inches / 25 cm
13 feet	20 inches / 51 cm
14 feet	30 inches / 76 cm
15 feet	48 inches / 122 cm
16 feet +	72 inches / 183 cm

### Matthews Fan Company

1881 Industrial Drive  
Libertyville, IL 60048  
Tele: 847.680.9043  
Fax: 847.680.8140  
www.matthewsfanco.com

© 2020 Matthews Fan Company. All rights reserved.

