



PADERNO™

User Manual 6-SLICE CONVECTION TOASTER OVEN

Model No. TOV007

Product No. 043-5267-4



PADERNO



Product No. 043-5267-4

The Paderno™ 6-slice Convection Toaster Oven is the perfect size for baking, roasting and cooking your family meals. The even-heat convection technology ensures efficient and consistent cooking performance. The pre-set functions take the guesswork out of programming cooking settings, for easy, convenient and delicious results!

Table of Contents

IMPORTANT SAFETY INSTRUCTIONS	4
Technical Information	6
Using Your Toaster Oven	8
Cleaning and Maintenance	13
Troubleshooting	14
Our Guarantee	15

IMPORTANT SAFETY INSTRUCTIONS

When using electrical appliances, basic safety precautions should always be followed including the following:

Important Safeguards

1. Read all instructions before using. Save these instructions for future reference.
2. DO NOT touch hot surfaces. Use handles or knobs.
3. To protect against electrical shock do not immerse toaster oven, cord or plugs in water or other liquid.
4. Close supervision is necessary when any appliance is used by or near children.
5. Unplug from outlet when not in use and before cleaning. Allow toaster oven to cool before putting on or taking off parts.
6. DO NOT operate any appliance with a damaged cord or plug or after the appliance malfunctions or has been damaged in any manner. This appliance should not be repaired or opened by an unlicensed person. Refer to the "Our Guarantee" section regarding the product's warranty before returning the appliance to the point of purchase.
7. The use of accessory attachments not recommended by the appliance manufacturer may cause injuries.
8. DO NOT use outdoors. DO NOT use near water.
9. DO NOT let cord hang over edge of table or counter, or touch hot surfaces.
10. DO NOT place on or near a hot gas or electric burner, or in a heated oven.
11. To turn the Toaster Oven power off, press and hold the Cancel button.
12. To disconnect, ensure that all controls are turned off, and then unplug the power cord from the wall outlet.
13. DO NOT use appliance for other than its intended use.
14. Use extreme caution when removing tray or disposing of hot grease.
15. DO NOT clean with metal scouring pads. Pieces can break off the pad and touch electrical parts, creating a risk of electric shock.
16. Oversize foods or metal utensils must not be inserted in a toaster oven as they may cause risk of fire or electric shock.
17. A fire may occur if the toaster oven is covered by or touching flammable material, including curtains, draperies, walls, and the like, when in operation. DO NOT store any items on top of the appliance when in operation.
18. Extreme caution should be exercised when using containers constructed of materials other than metal or glass. DO NOT put plastic containers in the toaster oven.

19. DO NOT store any materials, other than manufacturers recommended accessories, in this oven when not in use.
20. DO NOT place paper, cardboard or plastic materials in the toaster oven.
21. DO NOT cover crumb tray or any part of the oven with metal foil.
22. DO NOT modify this appliance in any manner. This appliance should not be repaired or opened by an unlicensed person.

This appliance should not be repaired or opened by an unlicensed person. Refer to the "Our Guarantee" section regarding the product's warranty before returning the appliance to the point of purchase.

**SAVE THESE
INSTRUCTIONS
THIS PRODUCT
IS INTENDED
FOR HOUSEHOLD
USE ONLY**

Technical Information

Notes on the Power Cord

CAUTION: To ensure continued protection against risk of electric shock, connect to properly grounded outlets only.

NOTE: A short power-supply cord is provided to reduce the risk of becoming entangled in or tripping over a longer cord. Extension cords are available and may be used if care is exercised in their use.

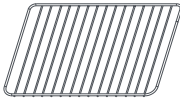
If an extension cord is used:

- The marked electrical rating of the extension cord should be at least as great as the electrical rating of the appliance.
- If the appliance is of the grounded type, the extension cord should be a grounding-type 3-wire cord.
- The longer cord should be arranged so that it will not drape over the counter top or tabletop where it can be pulled on by children or tripped over unintentionally.

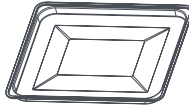
Product Specifications

Rated Voltage	120 V-60 Hz
Maximum Power	1750 W
Toaster Oven Capacity	25L / 6 Slices
Temperature Range	65–232°C (150–450°F)
External Dimensions	46 x 42.3 x 27.3 cm (18 1/8 x 16 11/16 x 10 3/4")
Net Weight	7.5 kg (16 lb 8 1/2 oz)

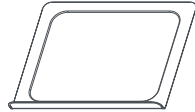
Toaster Oven Parts and Accessories



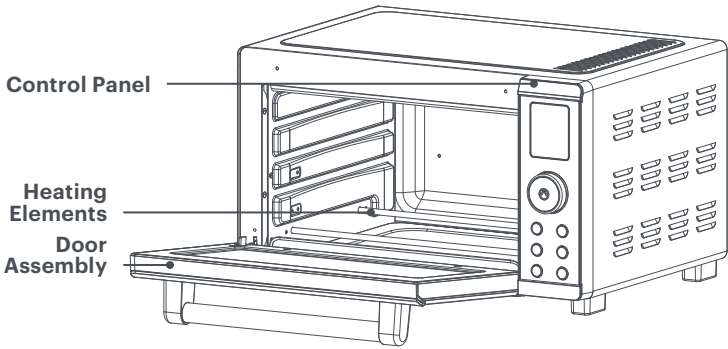
Baking Rack



Baking Tray



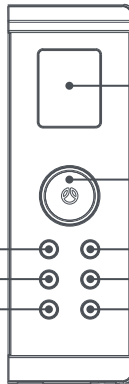
Crumb Tray



Control Panel

Heating Elements

Door Assembly



Display Screen

Dynamic Control Dial

Convection Button

Safety Lock Button

Start/Pause Button

Defrost Button

Setting Button

Cancel/Back Button

Note: Product may vary slightly from illustration.

Using Your Toaster Oven

Conveniently cook, bake or reheat delicious meals in your Paderno™ 6-slice Convection Toaster Oven.

Before First Use

Refer to the Cleaning & Maintenance section of this manual. Clean the appliance thoroughly before first use.

1. Remove all accessories and shipping materials packed inside the Oven.
2. Wash the Baking Rack and Baking Tray in warm water with soap. Wipe the inside of the Oven with a damp cloth or sponge. Blot dry with paper towels to be sure the unit is dry before using.
3. Place Oven on a flat counter or other stable surface. **DO NOT OPERATE ON THE SAME CIRCUIT WITH ANOTHER APPLIANCE.**
4. Make sure the Crumb Tray is properly installed before using.

For the first time only, using the Bake pre-set, turn the temperature to 450°F and set the timer to 15 minutes. This will burn off oils in the Oven.

NOTE: The Toaster Oven may smoke during this process. This is normal for a new toaster oven and will not last more than 10-15 minutes.

Setting the Clock

1. Press the Settings button on the control panel. The time will flash to indicate it can be selected.
2. Rotate the dial to adjust the hours, and click the dial to confirm the selection.

3. Rotate the dial to adjust the minutes, and click the dial to confirm the selection.
4. Rotate the dial to select between “AM” or “PM”, and click the dial to confirm the selection.

NOTE: During clock setting, if no action is taken for 1 minute, the oven will return to standby mode.

Setting the Temperature Units

1. After the clock has been set, the units will flash to indicate that they can be set.
2. Rotate the dial to select between “°F” or “°C”, and click the dial to confirm the selection.

NOTE: During temperature units selection, if no action is taken for 1 minute, the oven will return to standby mode.

Setting the Volume

1. After the temperature units have been set, the volume icon will flash to indicate the volume can be set.
2. Rotate the dial to select between four volume levels: High, Medium, Low and Mute. Click the dial to confirm the selection.

NOTE: During volume selection, if no action is taken for 1 minute, the oven will return to standby mode.

Setting the Control Screen Lock

1. Press and hold the Safety Lock button for 3 seconds.
2. The Lock icon will appear on the screen to indicate the screen is locked.
3. Press and hold the Safety Lock button for 3 seconds to deactivate the screen lock.

Sleep Mode

After 2 minutes of inactivity, the toaster oven will go into sleep mode, where only the time is illuminated. To wake up the toaster oven, rotate or click the dial, or press any button.

General Instructions

1. Place the Baking Rack in position that will accommodate the height of the food to be cooked.
2. Set the food on the rack. Make sure that you always use an ovenproof container in the oven. Never use plastic or cardboard containers in the oven.
3. Never use glass or ceramic pans or lids.
4. DO NOT let juices run to the bottom of the Oven. Use the crumb tray when cooking.
5. Set the temperature as suggested by the recipe or as desired.
6. Securely shut the door and set the cooking time to begin operating the Oven.

CAUTION: The oven surfaces are hot during and after use.

Product No. 043-5267-4

Quick Reference Guide

Below is a summary of the available pre-sets, their default settings and the available temperature ranges.

Menu	Rack Position	Preheating?	Default Setting	Setting Range
Toast	Middle	No	2 Slices, 4 Darkness	2-6 Slices 1-7 Darkness (1=Lightest, 7=Darkest)
Bagel	Middle	No	4 Slices, 4 Darkness	2-6 Slices 1-7 Darkness (1=Lightest, 7=Darkest)
Bake	Bottom	Yes	188°C (370°F) 30 minutes	71-232°C (160-450°F) Up to 2 hours
Broil	Top	Yes	171°C (340°F) 30 minutes	71-171°C (160-340°F) Up to 2 hours
Roast	Bottom	Yes	232°C (450°F) 30 minutes	71-232°C (160-450°F) Up to 2 hours
Pizza	Middle	Yes	210°C (410°F) 6" Pizza	210-232°C (410-450°F) 6", 9" or 12" Pizza
Keep Warm	Bottom	Yes	71°C (160°F) 1 hour	60-82°C (140-180°F) Up to 2 hours

Using the Toast and Bagel Pre-sets

1. Rotate the dial to select the desired pre-set. Click the dial to confirm the selection.
2. Rotate the dial to select the desired number of slices. Click the dial to confirm the selection.
3. Rotate the dial to select the desired browning level. Click the dial to confirm the selection.
4. Press the Start/Pause button to begin the toasting process. The time on the screen will count down, and an alert will sound when complete.
5. Rotate the dial during the toasting process to add or remove time.

NOTE: While selecting the desired settings, press the Cancel/Back button to return to the previous setting selection.

Using the Bake, Broil, Roast and Keep Warm Pre-sets

1. Rotate the dial to select the desired pre-set. Click the dial to confirm the selection.
2. Rotate the dial to select the desired temperature. Click the dial to confirm the selection.
3. Rotate the dial to select the desired cooking time. Click the dial to confirm the selection.
4. Press the Start/Pause button to begin the preheating process. "Preheating" will blink on screen to indicate this process has started. An alert will sound when the oven is preheated.
5. Carefully insert the food into the oven.
6. Press the Start/Pause button to begin the cooking process. The time on the screen will count down, and an alert will sound when complete.
7. Rotate the dial during the cooking process to add or remove time.

NOTE: While selecting the desired settings, press the Cancel/Back button to return to the previous setting selection.

Using the Pizza Pre-set

1. Rotate the dial to select "Pizza". Click the dial to confirm the selection.
2. Rotate the dial to select the desired temperature. Click the dial to confirm the selection.
3. Rotate the dial to select the desired size. Click the dial to confirm the selection.
4. Press the Start/Pause button to begin the preheating process. "Preheating" will blink on screen to indicate this process has started. An alert will sound when the oven is preheated.
5. Carefully insert the food into the oven.
6. Press the Start/Pause button to begin the cooking process. The time on the screen will count down, and an alert will sound when complete.
7. Rotate the dial during the cooking process to add or remove time.

NOTE: While selecting the desired settings, press the Cancel/Back button to return to the previous setting selection.

Using the Defrost Function

1. Select the Defrost button.
2. Rotate the dial to select the desired Defrost temperature. Click the dial to confirm the selection.
3. Rotate the dial to select the desired defrosting time. Click the dial to confirm the selection.
4. Press the Star/Pause button to begin the defrosting process. The time on the screen will count down, and an alert will sound when complete.
5. Rotate the dial during the defrosting process to add or remove time.

NOTE: While selecting the desired settings, press the Cancel/Back button to return to the previous setting selection.

Using the Convection Fan

Select the Convection button at any time to circulate the heat throughout the oven cavity for even toasting, cooking or baking.

Cleaning and Maintenance

Cleaning and Maintenance

1. Before cleaning, unplug the toaster oven and allow it to cool completely.
2. Wash all accessories with warm water and soap. This includes the Baking Rack and Baking Tray.
3. DO NOT use abrasive cleansers, scrubbing brushes, and chemical cleaners as this will cause damage to the non-stick coating of the Baking Tray.
4. Use a damp cloth to wipe the interior of the oven.
5. Use a damp cloth with soap to clean the door.
6. NEVER immerse the unit in water or other liquid.
7. This appliance should not be repaired or opened by an unlicensed person.

Disposal of Appliance

DO NOT dispose of this product in household waste. Many parts of this product are recyclable. Dispose of as per the requirements of your local municipality.

Troubleshooting

Check possible troubleshooting concerns below and potential solutions. If the toaster oven still does not work properly, contact customer service.

Problem	Possible Cause	Action
The power indicator or display window does not turn on even though it is plugged in.	The plug is not inserted properly.	Insert the power plug firmly into the outlet.
Cooking process does not occur even though time has started.	There is a problem with the main unit.	Contact customer service.
A burning smell is coming from the unit.	The baking time is too long.	Turn off the main unit.
	The fats and gravy on the Baking Tray or the Baking Rack may cause smoke during cooking, especially using Broil pre-set.	Clean the Baking Tray or Baking Rack after every use.
	There is fat, gravy, or crumbs on the Crumb Tray.	Clean the crumb tray.
Heater tubes turn off during cooking.	The heater tubes turn on/off to control temperature.	No action necessary, this is okay.
Smoke comes out.	The fat from the food sticking to the heater may cause smoke during cooking, especially using "Broil" menu.	Set lower temperature.

Our Guarantee

If you experience any issues with your Paderno™ 6-slice Convection Toaster Oven, please refer to the warranty terms below to determine the corrective course of action.

1-Year Limited Warranty

Padinox Inc. (“Paderno”) has been fuelling your passion for cooking since 1979. This iconic Canadian brand gives you outstanding durability and performance, so you can concentrate on the important things, like what to make next.

That’s why we stand by all our products! Starting from the date of purchase, Paderno warrants that your Kitchen Appliance is free from any manufacturing defects in materials or workmanship for a period of 1 year.

This warranty is only offered on Paderno appliances sold and used in Canada. The Paderno warranty covers all costs related to restoring the proven defective product through the repair or replacement of any defective part and necessary labour so that it conforms to its original specifications. A replacement product may be provided instead of repairing a defective product at Paderno’s discretion.

The Paderno warranty does not apply to appliances that have been used commercially or in non-household applications. The warranty does not cover damages resulting from misuse or abuse of the product and/or uses inconsistent with this Use and Care manual, attempts at repair, theft, use with unauthorized attachments or failure to follow the instructions provided with the product. This warranty becomes void if attempts at repair are made by non-authorized third parties and/or if spare parts, other than those provided by Paderno, are used. You may also arrange

for service after the warranty expires at an additional cost. **There are no other express warranties except as set forth herein and any applicable implied warranties of merchantability and fitness (or those provided for by law) are limited in duration to the period of coverage of this express written limited warranty.**

CONTACT:

If you have any trouble with the product during the warranty period, please visit us online at **www.Paderno.com** or contact us at: **1-800-263-9768** or via email **customer.service@padinox.ca**

Padinox Inc. Toronto Canada M4P 2V8

A receipt indicating the purchase date is required for any claims, so please keep it in a safe place. We recommend that you register your product on our website - **<https://www.paderno.com/pages/product-registration>**

Although greatly appreciated, the product registration is not required to activate any warranty and product registration does not eliminate the need for the original proof of purchase.



Cook. For life.

Valued by professional chefs and passionate home cooks alike, PADERNO™ offers an exceptional level of durability and performance guaranteed.

Connect with us at paderno.com to learn more and register your product.

For questions and concerns, please contact:
Customer.service@padinox.ca
1-800-263-9768