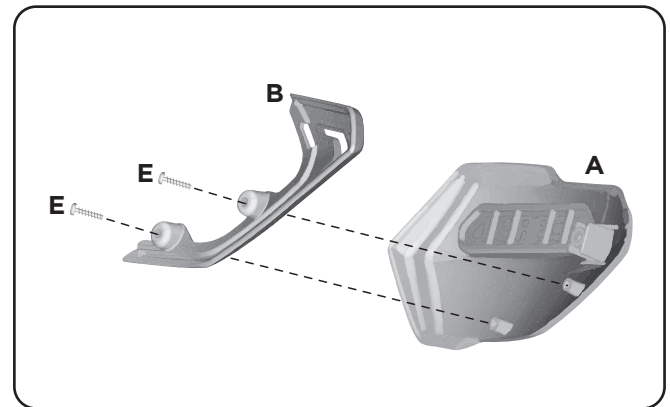
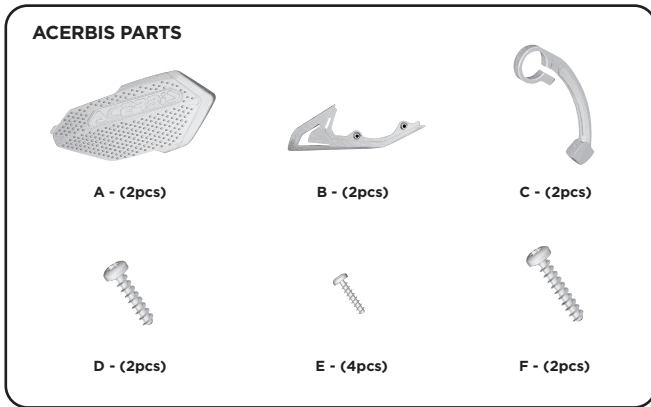


# MOUNTING KIT X-ELITE

## KIT DI MONTAGGIO X-ELITE

**ACERBIS**

COD. 500007836



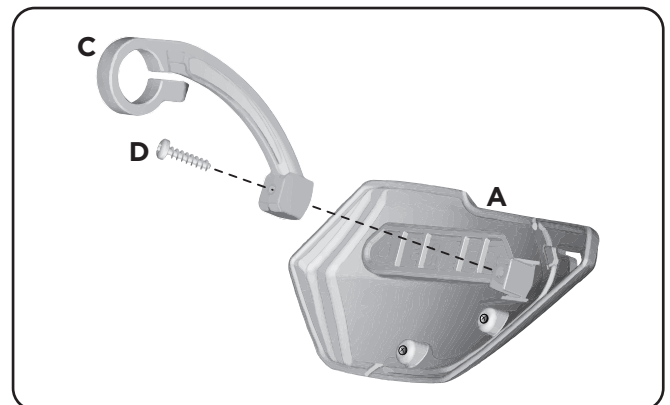
**1 - Tighten the spoiler (B) to the cover (A) using the screws (E).**

1 - Avvitare lo spoiler (B) alla cover (A) attraverso le viti (E).



**2 - Choose the position of the bracelet (position 1 or position 2).**

2 - Scegliere la posizione del bracciale (posizione 1 o posizione 2).



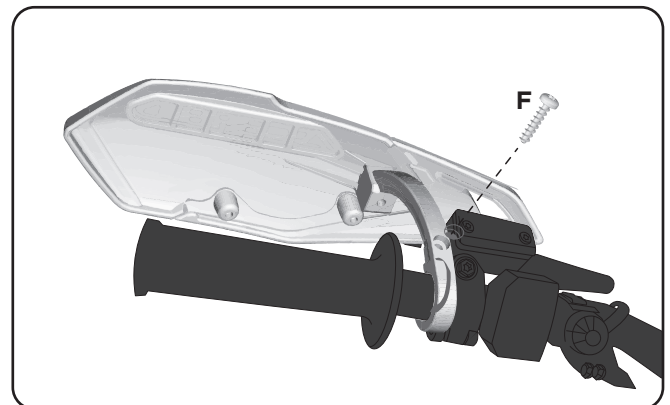
**3 - Tighten the brackets (C) to the cover (A) using the screws (D).**

3 - Avvitare il bracciale (C) alla cover (A) attraverso la vite (D).



**4 - Widen the brackets and put them on the handlebar.**

4 - Allargare il bracciale e infilarlo sul manubrio.



**5 - Tighten the brackets using the screws (F).**

5 - Avvitare il bracciale con la vite (F).

### WARNING!

Follow mounting instruction exactly. Ensure that the mounting is secure before riding. These handguards will not prevent injury in the event of a crash. They are designed to protect the hands from cold weather. Be sure that you follow the instruction for installing the handguards. Do not ride with a broken tie wrap. Check to be sure the throttle and other controls are free every time you ride. Failure to heed instruction and this

**ACERBIS ITALIA S.P.A.** VIA SERIO, 37 - 24021 ALBINO (BG) - ITALY

Phone +39 035773577 - Fax +39 035773570 - INFOMOTO@ACERBIS.IT - WWW.ACERBIS.COM

**ACERBIS U.S.A. Inc.**

MAIL P.O. BOX 2030 SUN VALLEY, ID 83353 SHIP 110 LINDSAY CIRCLE KETCHUM, ID 83340

Phone (800) 659-1440 - Fax (208) 726-7039 - INFOUSA@ACERBIS.COM

**ACERBIS U.K. Ltd**

UNIT 2 LUTON ENTERPRISE PARK SUNDON PARK ROAD LUTON, BEDFORDSHIRE LU3 3GU GREAT BRITAIN

Phone +44 1582491076 - Fax +44 1582499639 - UKINFO@ACERBIS.IT