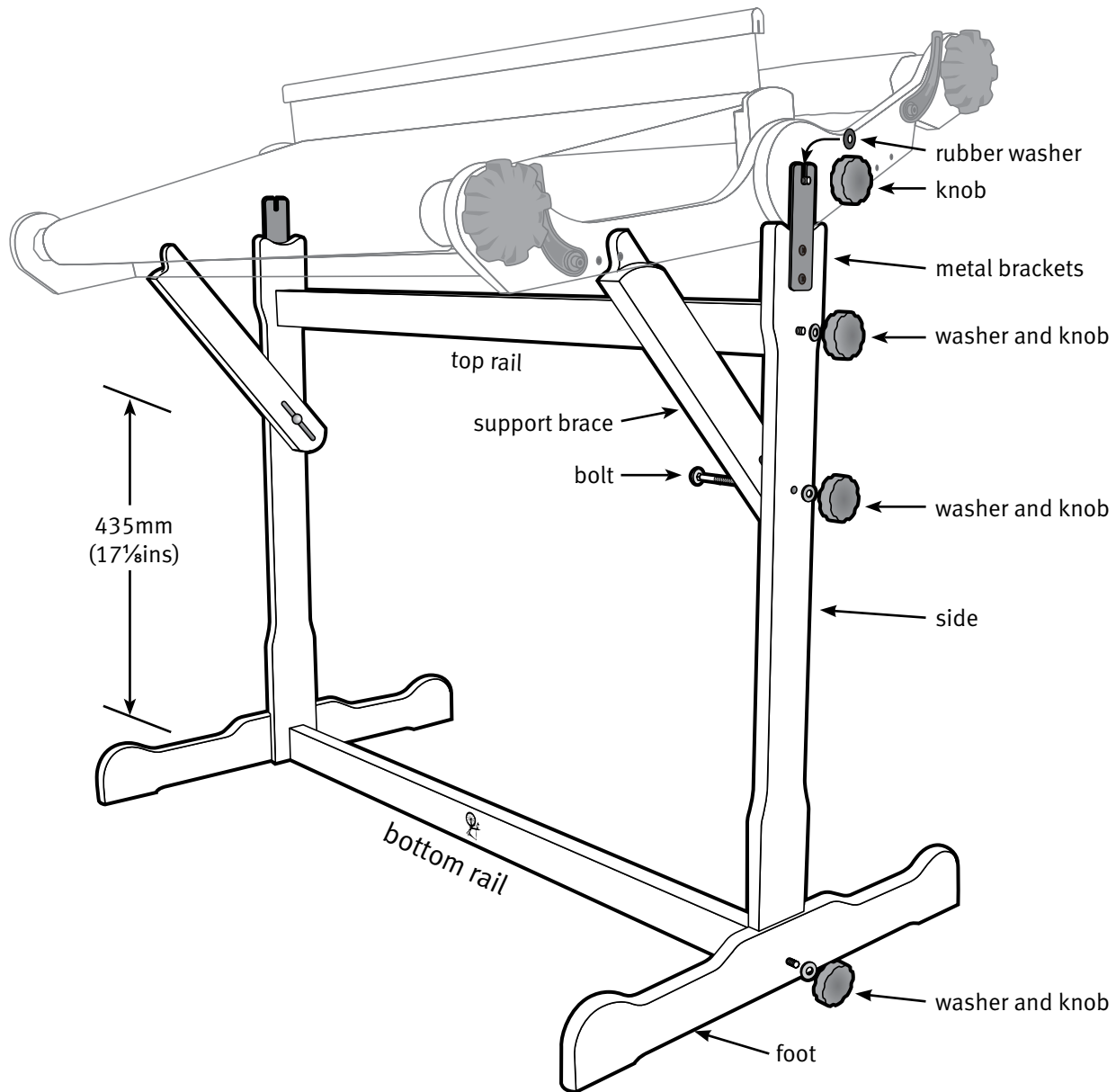


## KNITTERS LOOM STAND SUPPORT BRACE KIT 30cm (12ins) and 50cm (20ins)



1. Locate the support braces under the Knitters Loom front cross rail and then attach them to the Loom Stand sides with bolts, washers & knobs.
2. Adjust the angle of the Knitters Loom to suit you. Lift the support braces up under the front cross rail and tighten all knobs.
3. If your loom stand was manufactured before 2013 you may need to drill holes in the sides. Drill a 6mm (1/4") hole in the centre of the rail 435mm (17 1/8") up from the bottom.