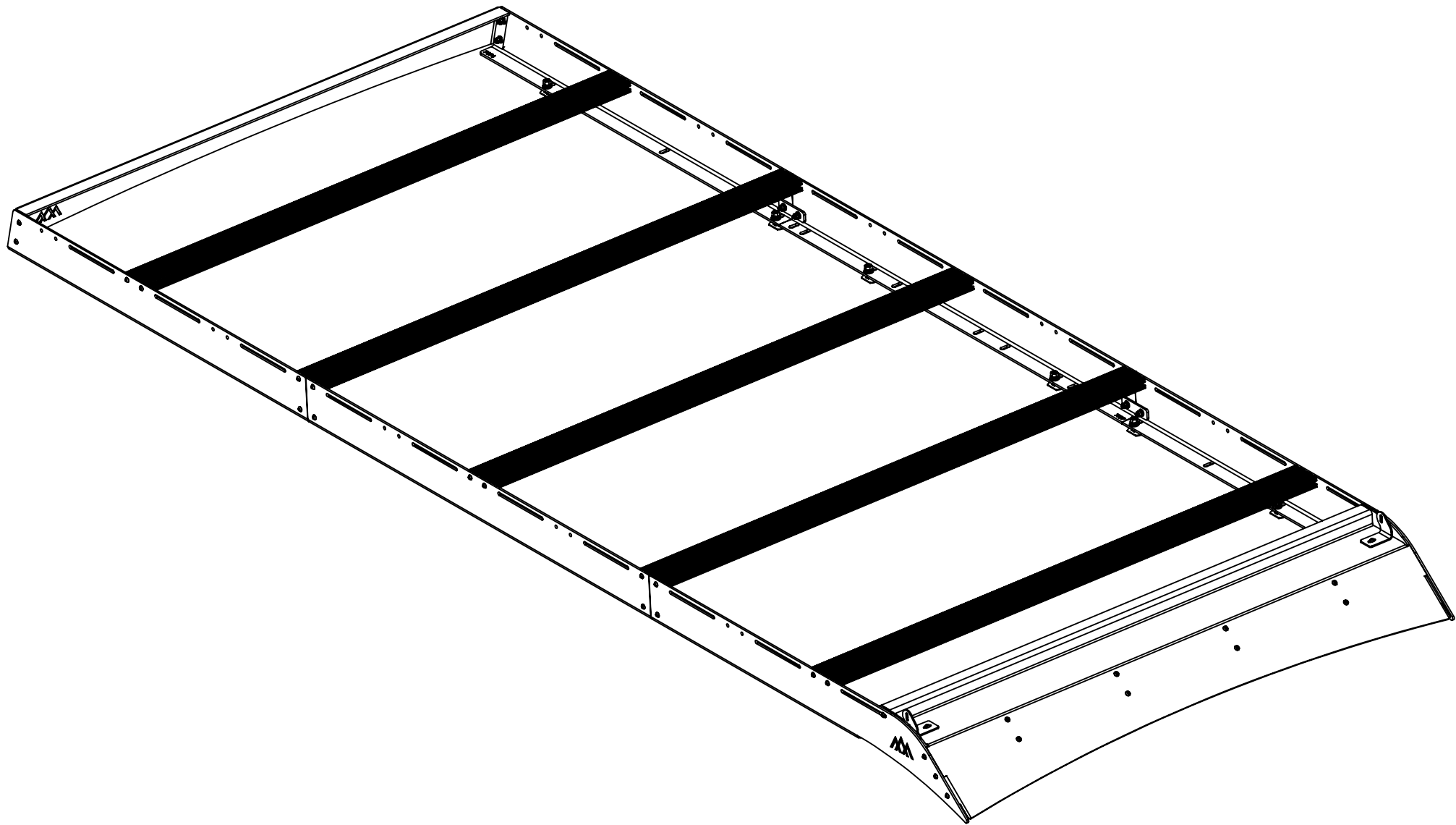
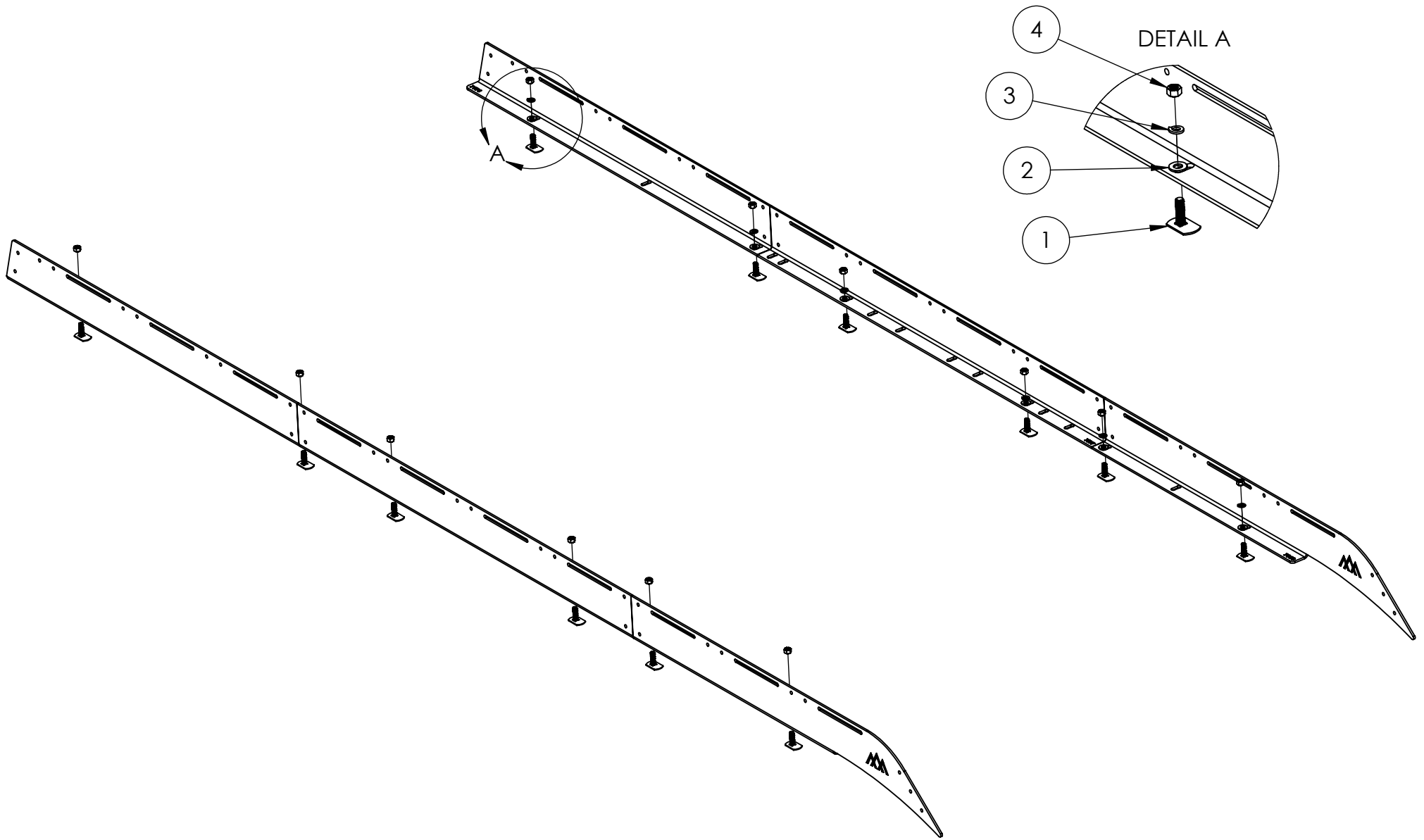


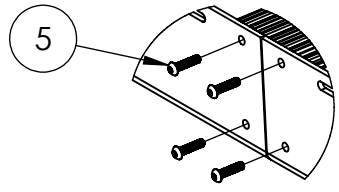
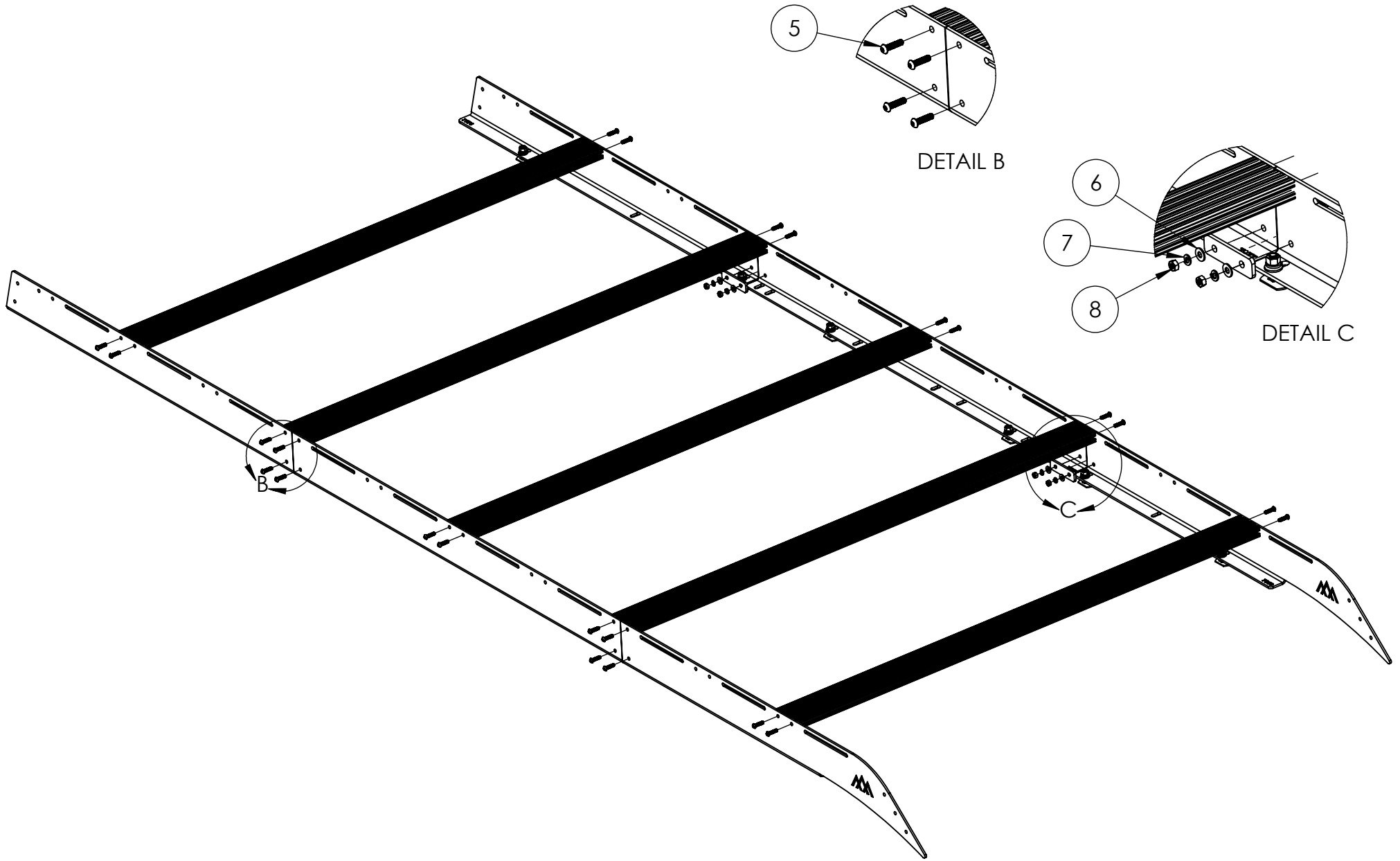
SPRINTER HARDWARE

BW00-0057 HARDWARE KIT		
ITEM	NO.	QTY
3/8-16 X 1.25 TRACK STUD	(1)	12
3/8 FLAT WASHER	(2)	12
3/8 LOCK WASHER	(3)	12
3/8-16 HEX NUT	(4)	12

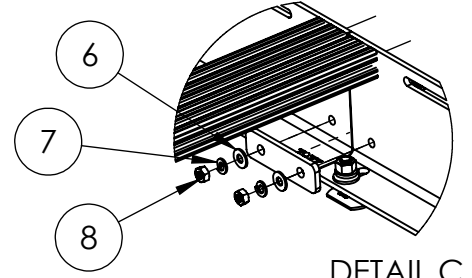
BW00-0140 HARDWARE KIT		
ITEM	NO.	QTY
1/4-20 X 3/4 BUTTON HEAD BOLT	(5)	54
1/4 FLAT WASHER	(6)	36
1/4 LOCK WASHER	(7)	36
1/4-20 HEX NUT	(8)	36
1/4-20 X 1/2 BUTTON HEAD BOLT	(9)	10
1/4-20 T-NUT	(10)	10







DETAIL B



DETAIL C

