

INSTALLATION INSTRUCTIONS

NOMAD™ SERIES SWING OUT CABINET BOX



Application: Add On Accessory for Nomad Series Rear Swing Out

Thank you for choosing Backwoods Adventure Mods for your bumper! We value our customers and the off road lifestyle.

Safety First! Thoroughly read all instructions and warnings before beginning the installation. Use your own judgment and, if necessary, have the installation done by a professional.

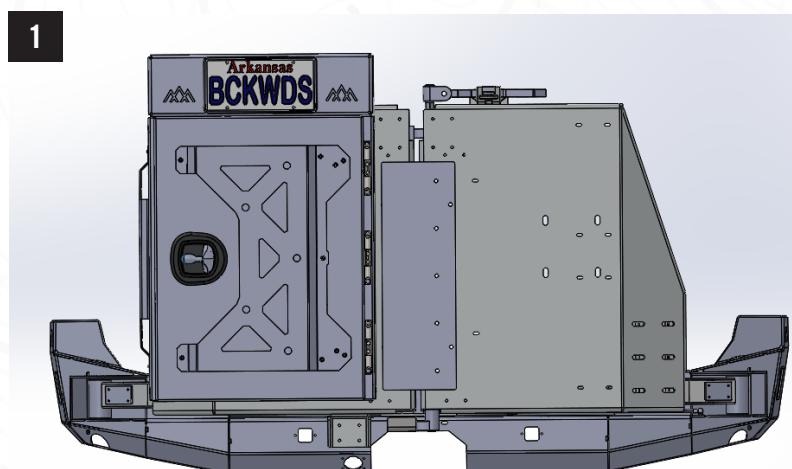
This bumper is intended for off-road use only. The owner assumes all liability for installation and use. Any sensor will have an altered view when installed in an after-market bumper.

Hardware Kit Included:

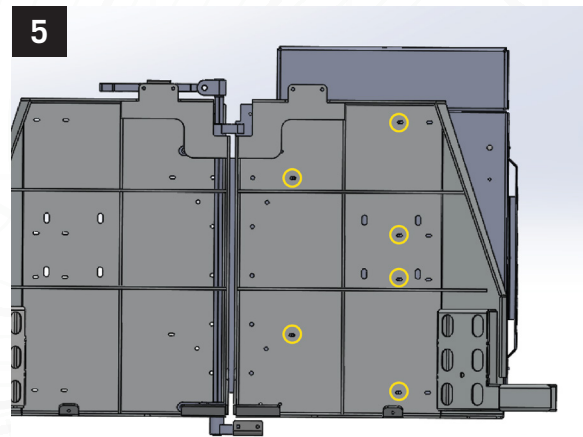
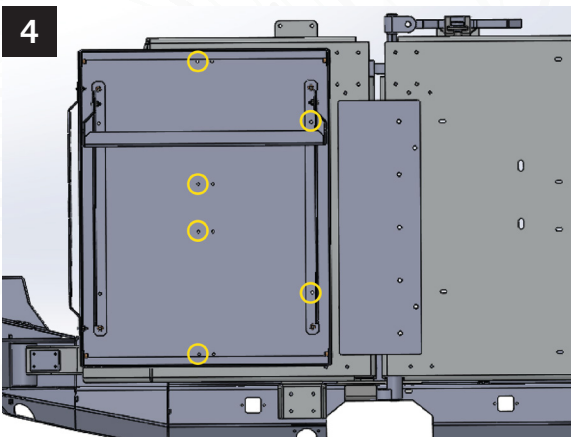
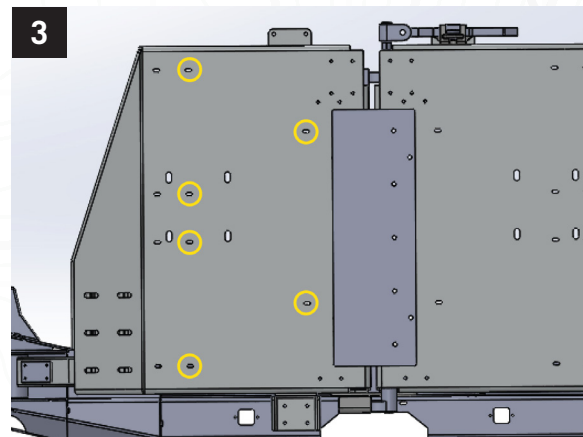
BW00-0029

Accessories are designed to be installed after the bumper install is completed. Please refer to the bumper installation manual.

1. Determine which side you want to place the cabinet. We recommend you install the cabinet box on the opposite side of the swing out latch. Typically, this would be the driver side of the van. **Picture 1**



2. The hardware provided is designed to create a weather-tight seal. Install the bolts from inside of the box. The rubber-backed washer is installed onto the bolt first. The rubber side should come into contact with the box. The flat washer, lock washer, and nut are installed from the outside. See **Picture 2** for the correct order. Refer to **Pictures 3-5** for the correct bolt locations.



3. Depending on the orientation of your cabinet box and accessories added, you may need to take additional steps in completing the installation.

Hardware Included:

- (12) ¼-20 X 1" SS Button Head Bolts
- (12) ¼-20 Nylon Locknuts
- (2) 5/16-18 Hex Nut
- (2) 5/16-18 Lock Washer

Tools Needed:

- ½ Wrench (for 5/16 hardware)
- 7/16 Wrench (for 1/4 hardware)
- 5/32 Allen Key (for ¼ hardware)

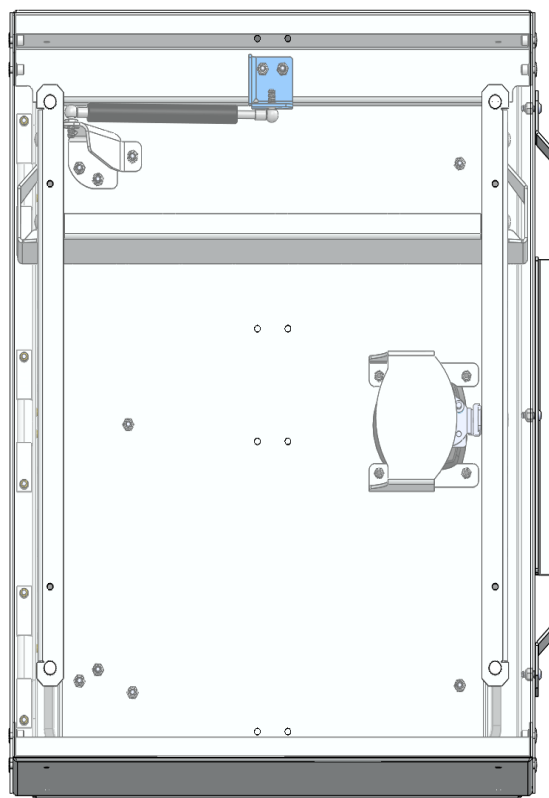


Figure 1

To get the best performance from the cabinet box, the gas strut should be orientated at the top of the cabinet box. Mount the gas strut bracket to the inside of the box in the location highlighted in **Figure 1**.

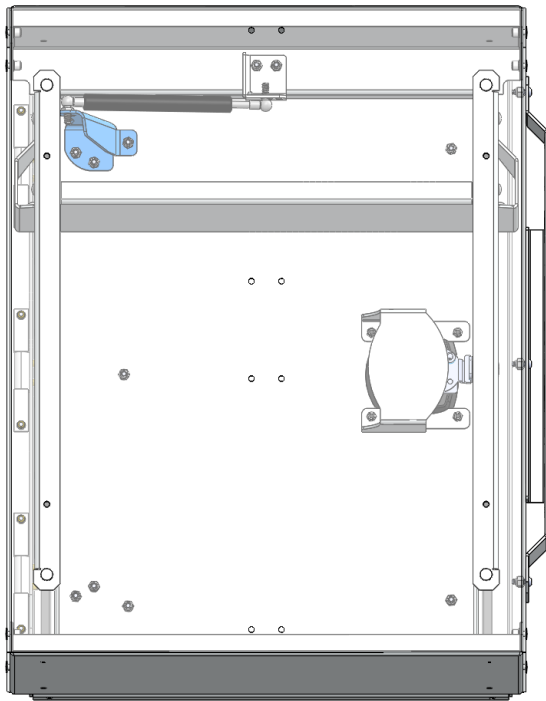


Figure 2

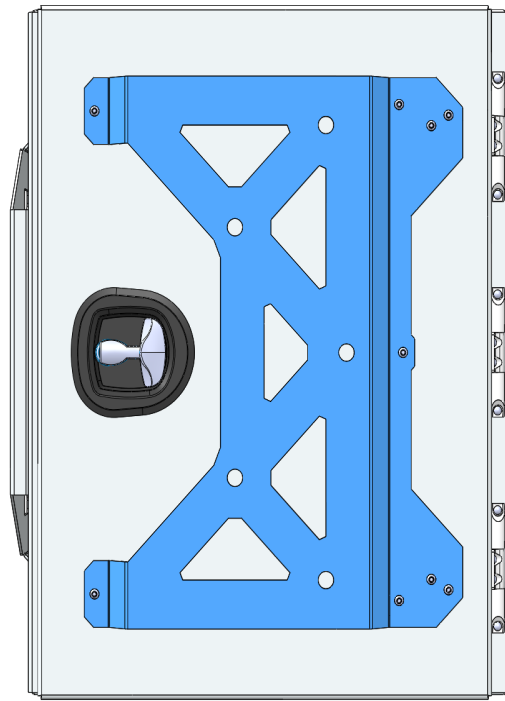


Figure 3

1. Place gas strut mount (door side) on the inside of the door and hold into place as seen in **Figure 2**.
2. Place Front Panel on the outside of the door and fasten the gas strut mount (door side) and front panel together to the door using (9) ¼-20 hardware as seen in **Figure 3**.

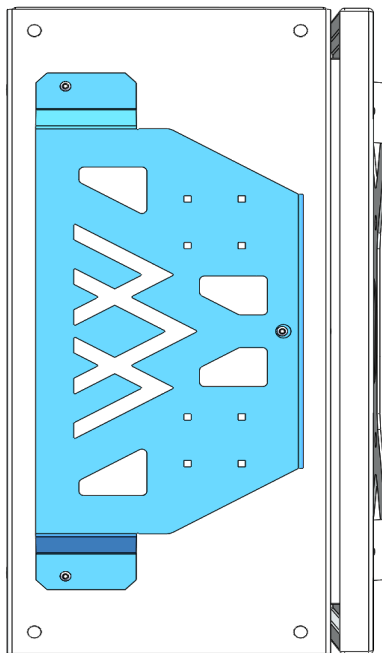


Figure 4

Fasten Side Panel using $\frac{1}{4}$ -20 hardware as seen in **Figure 4**.

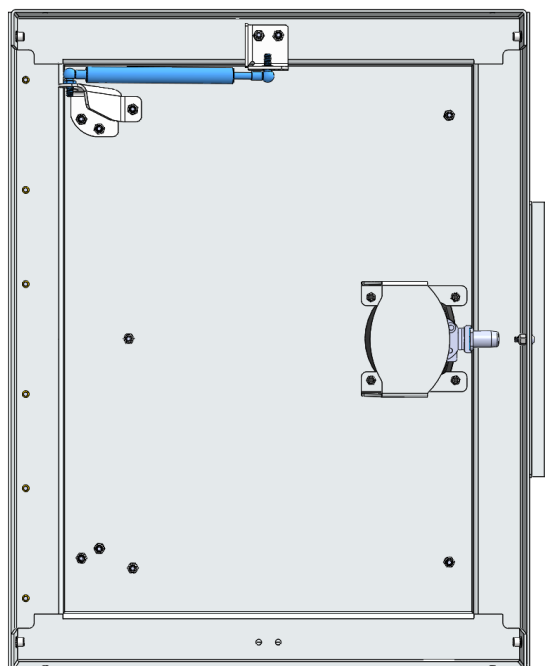


Figure 5

Orientate Gas Strut where the fixed end is mounted to the door and the actuated end is mounted to the toolbox. Fasten together using $\frac{5}{16}$ -18 hardware as seen in **Figure 5**