

INSTALLATION INSTRUCTIONS

NOMAD™ SERIES FRONT BUMPER



Application: 2014-17 Mercedes Sprinter

Thank you for choosing Backwoods Adventure Mods for your bumper! We value our customers and off road lifestyle.

Safety First! Thoroughly read all instructions and warnings before beginning the installation. Use your own judgment and, if necessary, have the installation done by a professional.

This bumper is intended for off-road use only. The owner assumes all liability for installation and use. Any sensor will have an altered view when installed in an after-market bumper.

To Begin:

1. Disconnect battery (both, if equipped) prior to performing any electrical work.
2. Remove the grille. Remove the bumper and all bumper components. Be sure to remove the plastic bumper retaining clip from under each highlight.

Install Your New Bumper:

1. Using a step bit, drill an appropriate sized hole in the plastic just below the passenger side headlight and insert the ambient temperature sensor. See picture **SF1** and **SF2**.



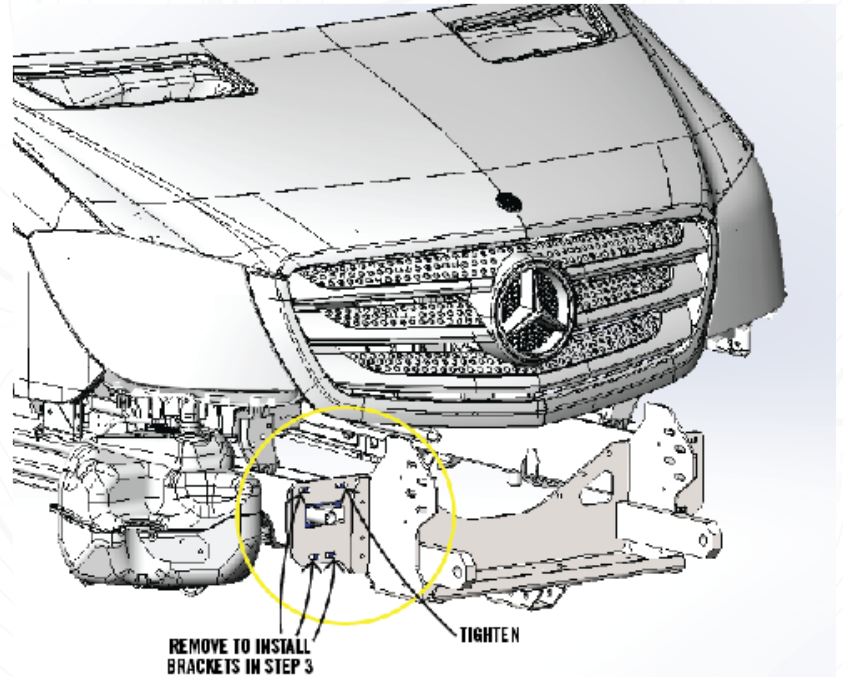
SF1



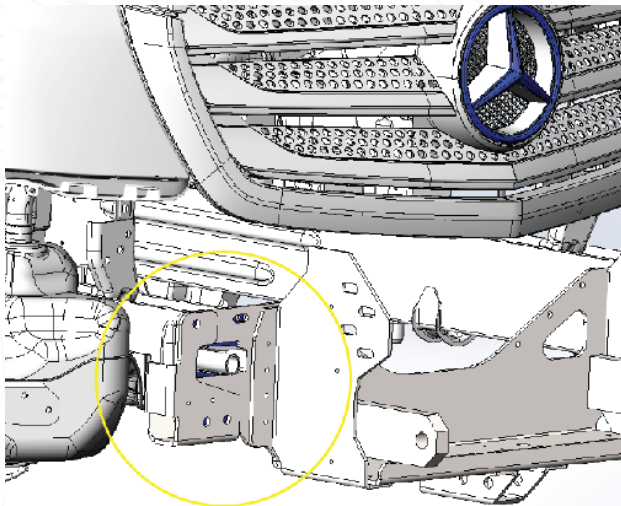
SF2

2. Install the main mounting bracket (winch mount) with (8) supplied M8 bolts and washers from hardware kit BW00-0004. See picture **SF3**. With the bolts loose, center the bracket and tighten the upper, inner bolt on each side. Temporarily remove the other 3 bolts on each side.

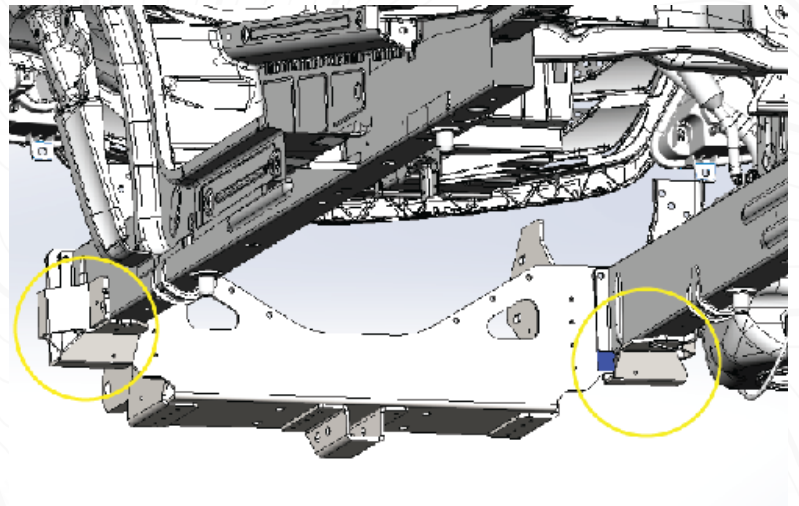
3. Install the auxiliary frame brace brackets with the 3 bolts per side that were just removed (leave loose). Install the (4) supplied M12 bolts and washers from hardware kit BW00-0005 into the frame. See picture **SF4** and **SF5**. If the lower DEF tank bolt is still installed, it will need to be removed to be replaced with one of the supplied bolts (make sure to reattach the DEF tank during this step). The van may be equipped with a sheet metal bracket that spans the frame rails. This will need to be removed first because the auxiliary brackets use same bolt location. Tighten the (6) M8 bolts first, then tighten the (4) M12 bolts.



SF3



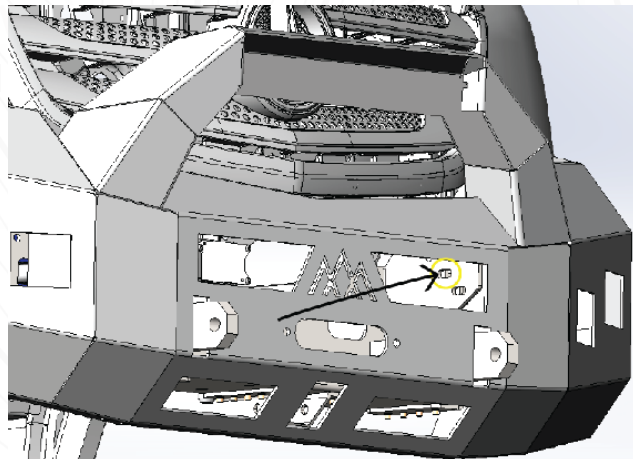
SF4



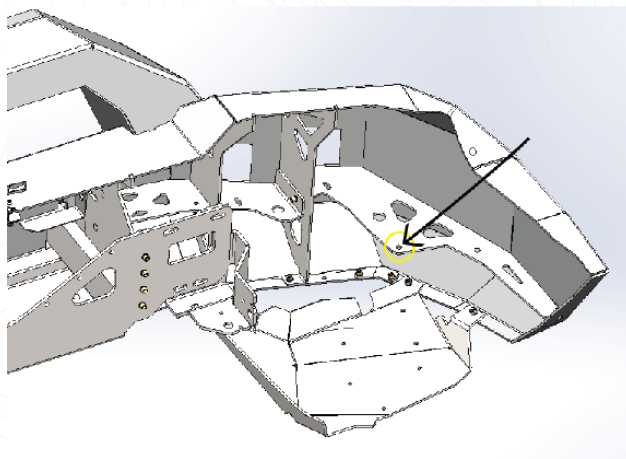
SF5

4. Install the winch now if applicable, according to the manufacturer instructions. There are holes for cable ties cut into the back of the winch mount to assist with securing wires, cables, and hoses.

5. Install the bumper with the (8) supplied bolt/nut sets in hardware kit BW00-0003. The easiest access point is through the airflow holes in the front of the bumper. See picture **SF6**. Leave loose, then adjust the bumper to the desired location and tighten the bolts.



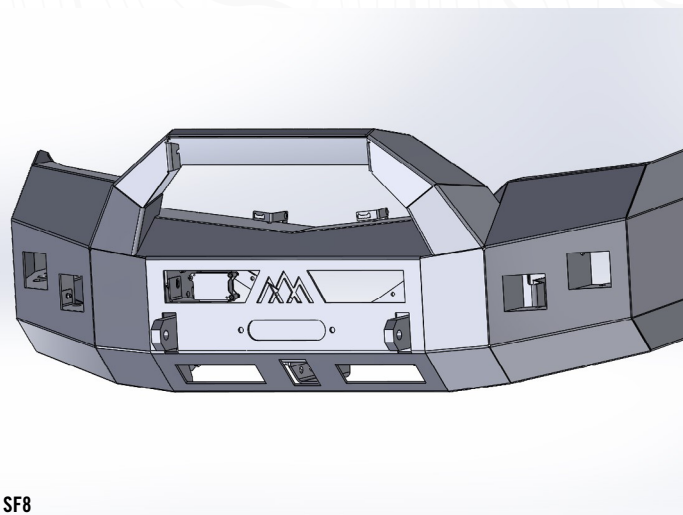
SF6



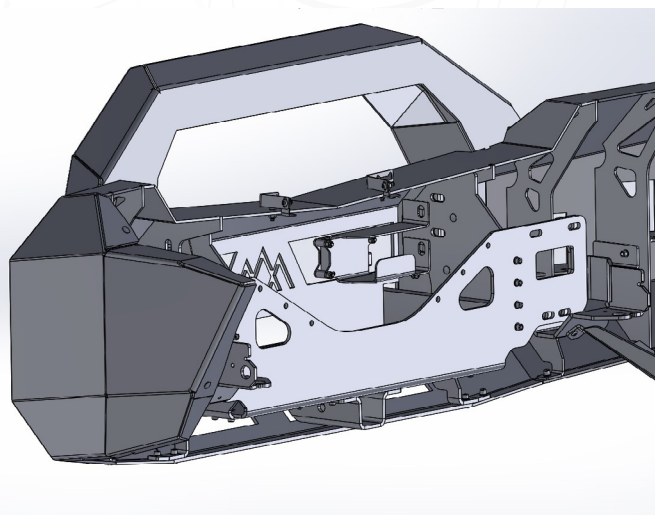
SF7

6. Using the remaining bolt and hardware from kit BW00-0003, secure the DEF/SCR tank to the passenger side wing of the bumper. See picture **SF7**.
7. Install any lighting now (if applicable) using the lighting manufacturer's instructions and wiring. There are wiring pass-through holes in the bumper to assist in securing wires.
8. If you have the CPA sensor system (collision prevention assist), use hardware kit BW00-0013 to attach the CPA sensor to the supplied bracket, then attach the plastic cover plate over the sensor, then attach the assembly to the passenger side mounting bracket using the two forward bolts. Center the bracket vertically and tighten the bolts. See picture **SF8** and **SF9**.

**Note: Results vary when moving the CPA sensor from the OEM location. Drive with care until you have verified that the system functions correctly. Adjustments may be necessary for the system to function correctly. We cannot guarantee our product is compatible with this system.

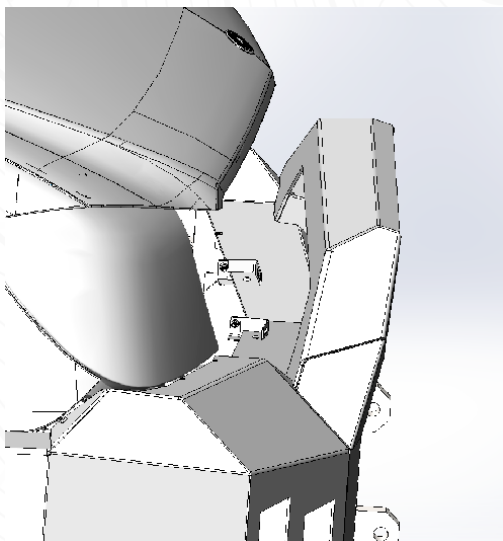


SF8

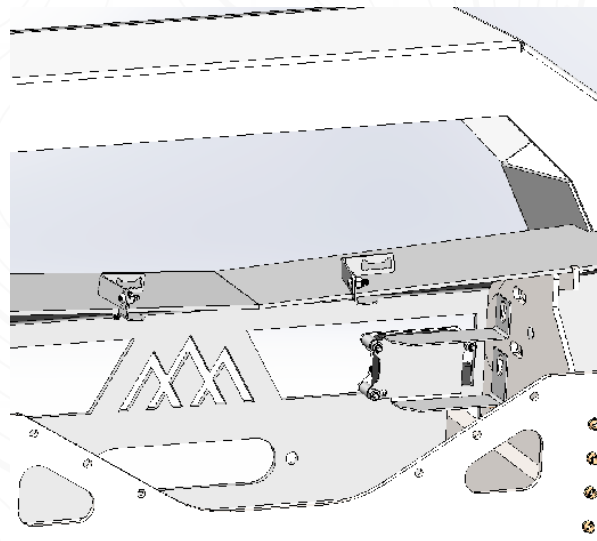


SF9

9. If you have the park assist system, use the supplied sensor housings from hardware kit BW00-0009. Install the original sensors into the supplied housings after installing the housings into the bumper. Make sure that all 6 sensors are in the same location and oriented in the same direction as they were in the original bumper.
10. Install the lower grille retaining brackets using hardware from kit BW00-0006. See picture **SF10** and **SF11**. Install the grille using factory hardware and push into the lower supplied brackets. Brackets may need to be adjusted for optimal grille fitment.

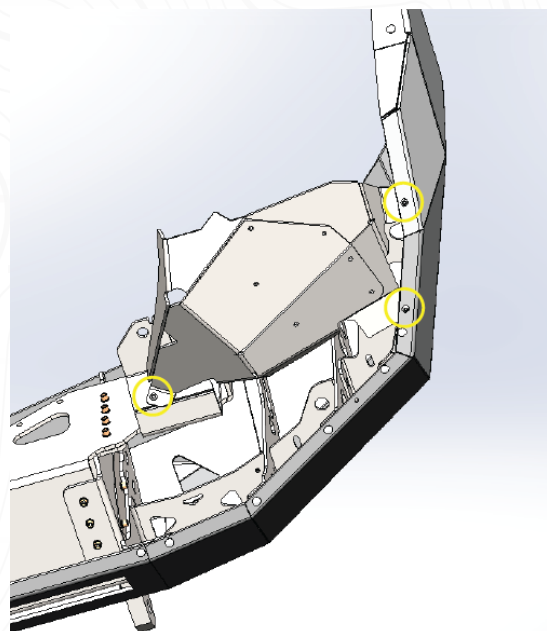


SF10

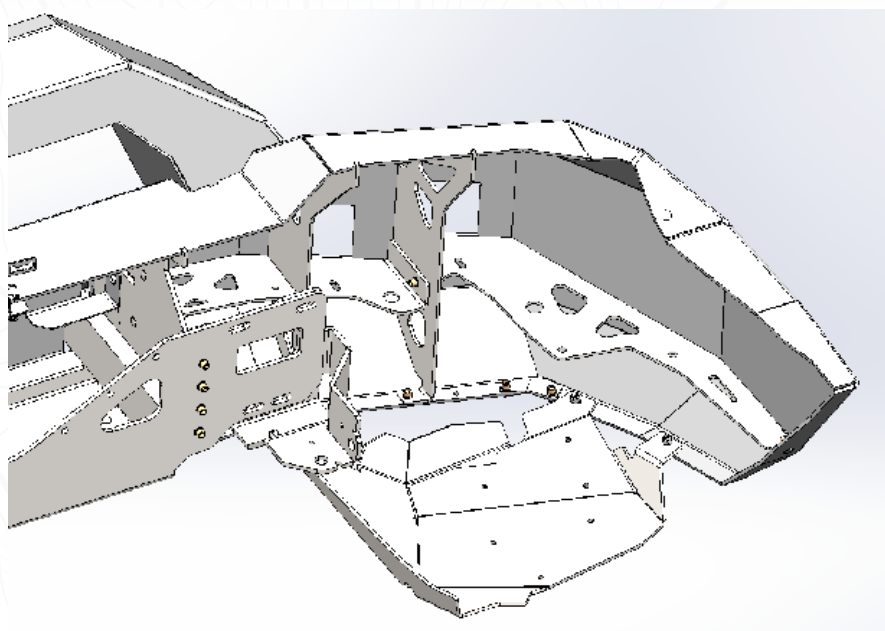


SF11

11. If you ordered the DEF (SCR) tank skid plate, attach it now using the supplied hardware in kit BW00-0007. See picture **SF12** and **SF13**.
12. Check all hardware and re-torque to specs if necessary.



SF12



SF13