

INSTALLATION INSTRUCTIONS

BRUTE™ SERIES REAR BUMPER



Application: 2017-19 Ford F250 / F350 Rear

Thank you for choosing Backwoods Adventure Mods for your bumper! We value our customers and off road lifestyle.

Safety First! Thoroughly read all instructions and warnings before beginning the installation. Use your own judgment and, if necessary, have the installation done by a professional.

This bumper is intended for off-road use only. The owner assumes all liability for installation and use. Any sensor will have an altered view when installed in an after-market bumper.

Tools Needed:

- ¾" Socket and Driver
- ¾" Open End Wrench
- 1½" Wrench or Socket
- ⅜" Hex Key
- ⅞" Socket or Wrench
- ⅝" Hex Key
- ¾" Stubby Wrench*
- ¾" Ratcheting Wrench*

*Not Required, but Helpful

Hardware Included

- (8) ½"-13x2" Grade 8 Bolts
- (8) ½"-13 Lock Nuts
- (16) ½" Flat Washers
- (2) ¼"-20 x .75" Stainless Button Head Bolts
- (2) ¼"-20 Lock Nuts
- (4) ¼" Flat Washers
- (4) #8-32 x .75" Stainless Button Head Bolts
- (4) #8 Flat Washers
- (4) #8 Lock Nuts

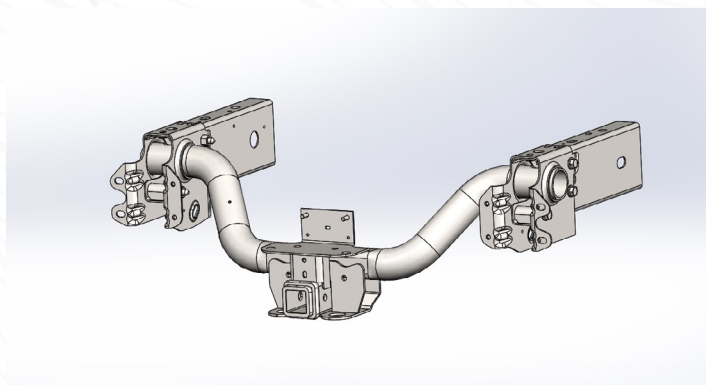
Before You Begin Bumper Installation:

1. Disconnect battery (both if equipped) prior to performing any electrical work.
2. Remove original bumper and all bumper mounts and brackets:
 - Unplug all wiring connected to the bumper
 - Remove the license plate.
 - Remove the bolts that secure the bumper to the hitch. Retain the hardware.
 - Carefully remove the bumper.
 - Remove the wiring harness, parking sensors, and sensor housings from the bumper. Be sure to note the orientation of the sensors so that they are installed in the new bumper the same way. Check to be sure the rubber o-ring is on the sensor.
 - Remove the trailer plug, spare tire lock, and license plate from the bumper.

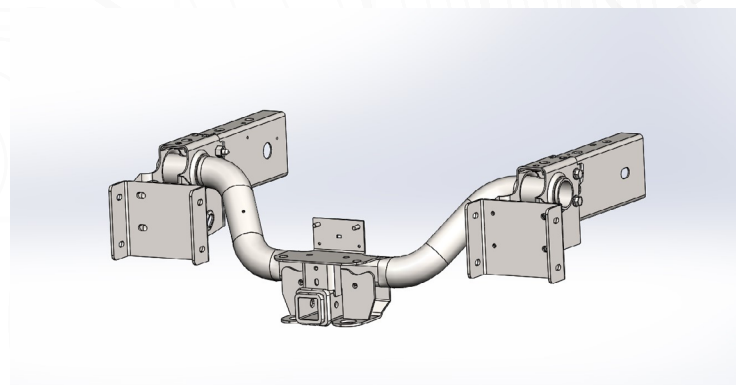
Install Your New Bumper:

1. If equipped with parking sensors, install the OEM sensor housings first from the outside of the bumper. Install the parking sensors and wiring from the inside of the bumper. Be sure the o-rings are still installed and be sure to clock the sensors in the same direction as in the OEM bumper. There are internal holes for routing the wires.*
2. Install the license plate with the supplied hardware from kit BW00-0002
3. Install the trailer wiring plug.
4. Install the license plate lights with the supplied hardware kit BW00-0002.
5. Using the OEM hardware and supplied hardware, attach the first set of brackets on the OEM receiver hitch. See pictures 1 and 2.

1

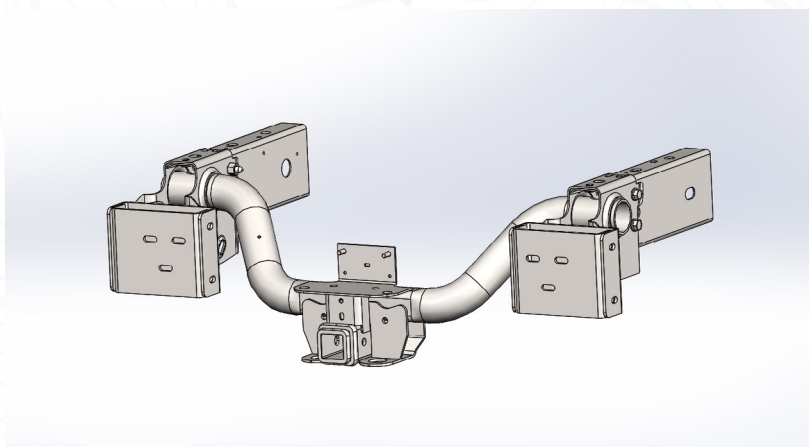


2



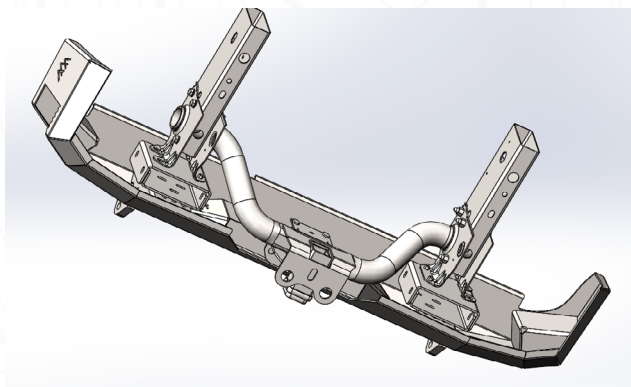
6. Using the supplied hardware, attach the 2nd set of brackets to the first set of brackets. See picture 3.

3

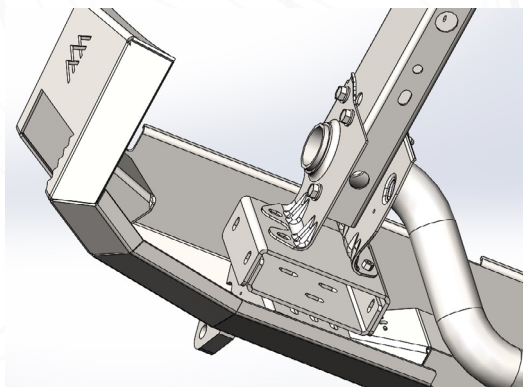


7. You can now hang the bumper on the mounts. Raise the bumper to the desired position and loosely install the other supplied bolts that secure the bumper to the mounts. See pictures 4 and 5.

4

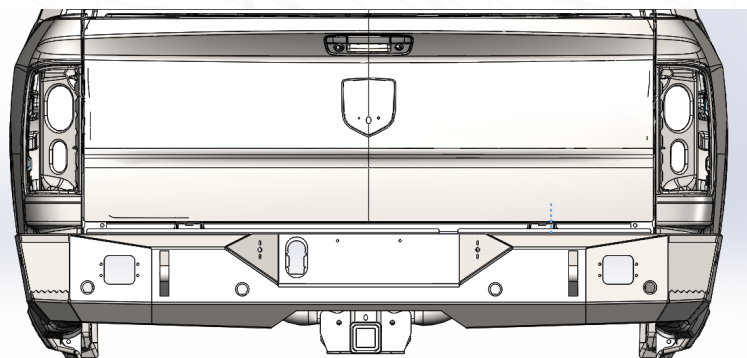


5

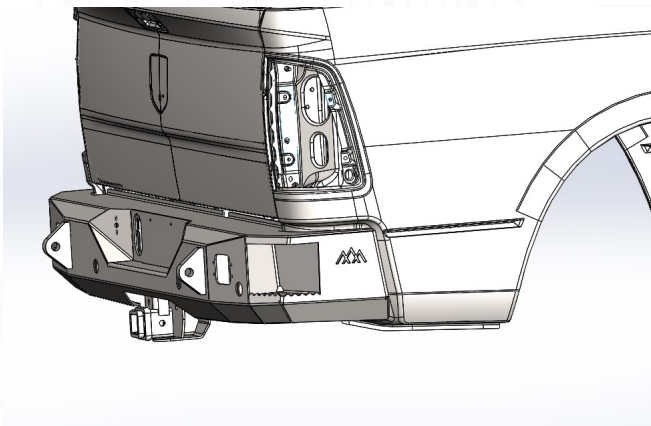


8. Adjust the bumper until desired fitment is achieved. Tighten the bolts to 80 ft-lbs. See picture 6 and 7.

6



7



9. If you ordered LED lighting, install the lights and connect the wiring as instructed by the manufacturer.

10. Reconnect the OEM wiring harness, complete a final adjustment, and make sure all hardware is tightened.

* Parking sensor functionality is not guaranteed. You may experience varying results depending on your lift, mounting angle, type of vehicle, or other contributing factors. The sensors may need calibration or may ultimately not work on the aftermarket bumper.