

CHEVY COLORADO / GMC CANYON

2015-2022

INSTALLATION INSTRUCTIONS

INSTALLATION TAKES 15-20 MINUTES.

FIGURE 1

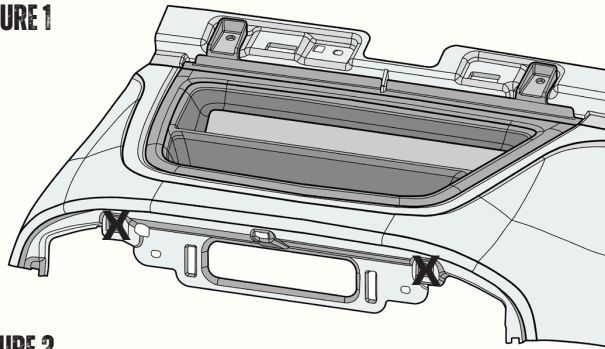


FIGURE 2

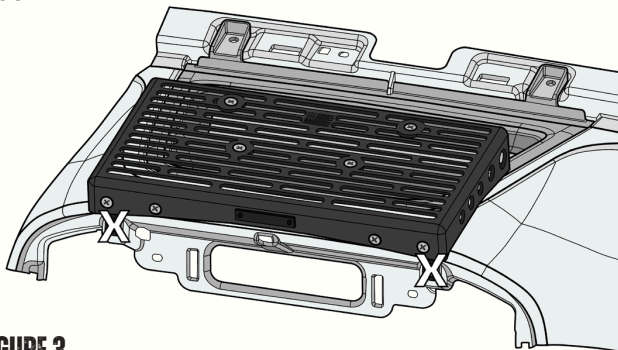


FIGURE 3

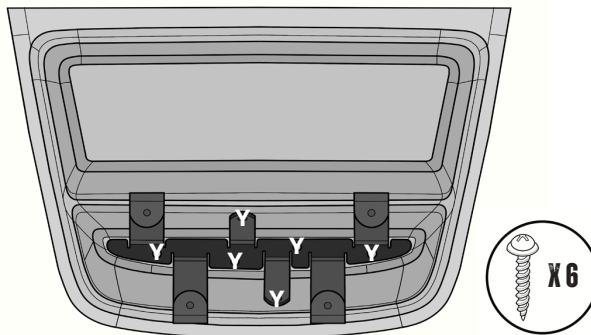
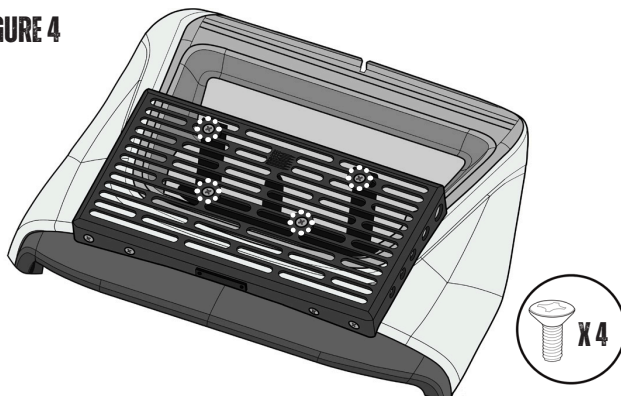


FIGURE 4



WHAT'S INCLUDED

- 1 X RubiGrid® Base
- 1 X Installation Hardware Kit
- 1 X F-it Tool
- 1 X 20mm AMPS ball with hardware
- 1 X Bulletpoint Bottle Opener

1. Use the included trim removal tool to carefully pry away any corner of the radio bezel to release the clips that hold it in place. Carefully work your way around until it is completely released from the dash. Set aside for later.
2. Use a 7mm wrench to remove the 2 factory bolts marked as X in **Figure 1**. Set these aside for later.
3. Thoroughly clean the dash tray area where the adhesive tape will make contact. Remove the backing from the adhesive tape on the bottom of the mounting base.
4. Place the RubiGrid® onto the dash ensuring the 2 front holes of the mount are aligned with the 2 factory bolt locations marked as X in **Figure 2**. The back of the RubiGrid® mount should sit flush in the dash tray.
5. Reinstall the 2 factory bolts removed in step 2 with the included wrench. Bolts should be snug. Be careful not to overtighten.
6. Use the included screwdriver and 6 self-tapping screws to secure the back of the RubiGrid® base to the dash tray in the hole locations marked as Y in **Figure 3**.
7. Reattach the radio bezel into the vehicle by firmly pressing down, making your way around the edge of the bezel listening for the audible sound of the clips.

PLEASE NOTE - In some instances, the support bracket may prevent the bezel from sitting 100% flush as it did prior to adding the support. In these instances, we recommend making 1/4" notches in the bezel where the support brackets are. You may use a utility knife to create the notches which will provide the necessary clearance for the bezel to sit flush during reassembly.

8. Determine where you would like the mounting balls to be located for optimal device usage. Once you have determined the ideal mounting locations, remove the top portion of the RubiGrid® mount by removing the 4 set screws with the included screwdriver.
9. Using the supplied bolts, washers and nylon nuts, secure the AMPS balls in the desired locations. Bolts drop in from above and washers go on the underside of the RubiGrid® top followed by the nylon nuts. Tighten the nuts using the supplied tools.
10. Once the mounting balls are in the desired locations, attach the RubiGrid® top to the lower portion of the base with the 4 set screws removed in step 8. **See Figure 4**.
11. With the RubiGrid® dash mount installed, attach the mounting arm, phone holder and other device holders to the mounting balls. **NOTE** - during the first 30 days, it is normal to find that you need to periodically tighten the mounting arm.
12. Take pics of your installed mount and post them to Instagram or Facebook. Use the hashtags **#bulletpointmounts** and **#mountit** to be featured on our social media pages!