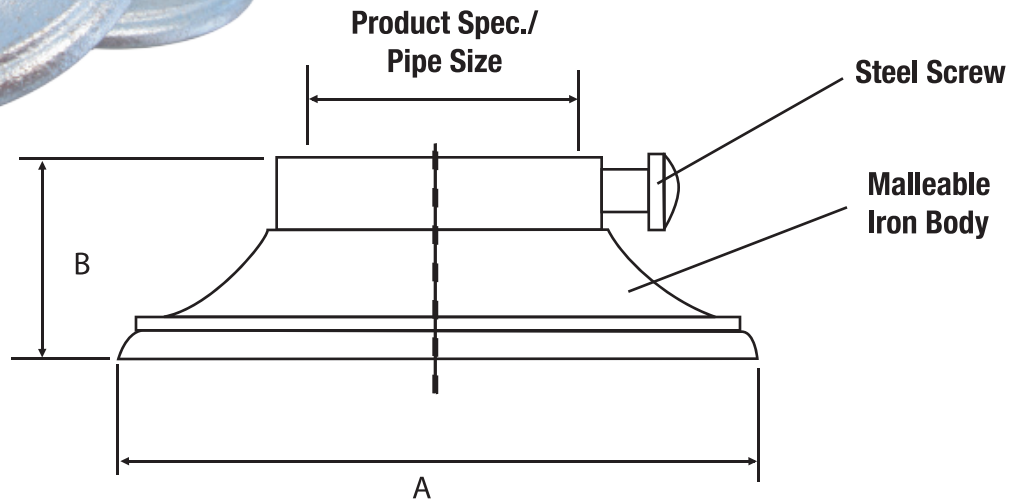


# ***GALVANIZED WALL PLATE***



Available for Pipe Sizes: 1", 1¼", 1½", 2", 2½", 3", 4", 6"

Material : Malleable Iron ASTM A47 Grade 32510  
 Surface Finish : Plain / Hot Dipped Galvanized



Size	1"	1¼"	1½"	2"	2½"	3"	4"	6"
A	3.6"	4"	4.25"	4.7"	5.7"	6"	7"	9.8"
B	1"	1"	1"	1"	1.1"	1.1"	1.1"	1.3"

PROJECT INFORMATION		APPROVAL STAMP	
Project:		<input type="checkbox"/> Approved	
Address:		<input type="checkbox"/> Approved as noted	
Contractor:		<input type="checkbox"/> Not approved	
Engineer:		Remarks:	
Submittal Data:			
Notes 1:			
Notes 2:			