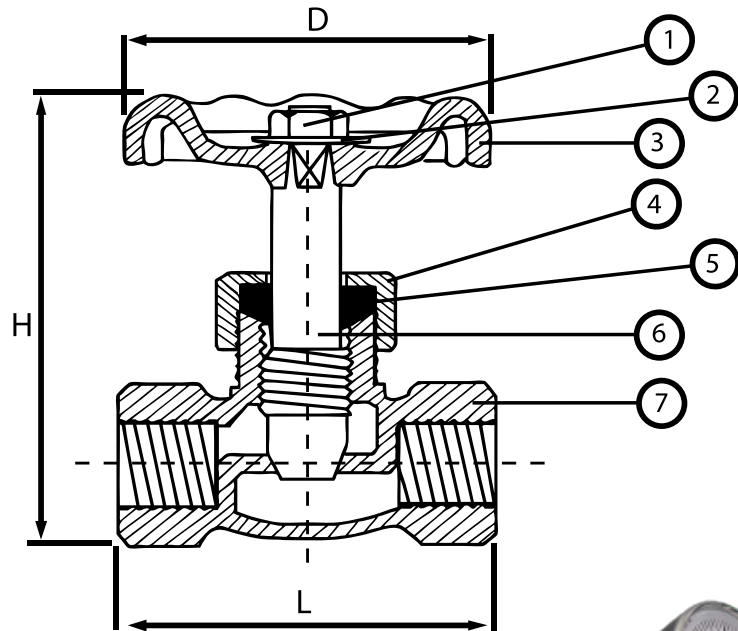


3-WAY BRONZE VALVE

1/4" IPS 3-Way female threaded valve, bronze body, brass seat, iron handwheel.

Finish: Rough Brass

Working Pressure: 300 WOG



MATERIAL LIST		
NO.	DESCRIPTION	MATERIAL
1	Wheel Nut	Hot Rolled (SAEE 101R)
2	Name Plate	Aluminum (A1100)
3	Handwheel	Cast Iron (JIS ZZ2202)
4	Packing Nut	Brass (ASTM-UNS B16 C36000)
5	Packing	Graphite (LK 33 NAFG)
6	Stem	Brass (ASTM-UNS C584 C84400)
7	Body	Bronze (ASTM-UNS C584 C8440)



	SIZE	H	L	D
	1/4" Female	2.48"	1.65"	2.10"

PROJECT INFORMATION		APPROVAL STAMP	
Project:		<input type="checkbox"/>	Approved
Address:		<input type="checkbox"/>	Approved as noted
Contractor:		<input type="checkbox"/>	Not approved
Engineer:		Remarks:	
Submittal Data:			
Notes 1:			
Notes 2:			