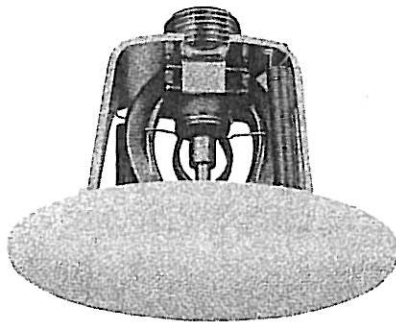


Product Data: UNSPOILER SPRINKLER

5209
WRENCH



UNSPOILER MODEL "H"

GENERAL DESCRIPTION

The **MODEL "H" UNSPOILER** is designed for use in finished ceiling areas where the ultimate in aesthetic appeal is necessary. The entire unit is easily installed in the ceiling and is covered from view. The only visible evidence of the sprinkler's presence in a room is the cover plate, available in Bright Chrome, Polished Brass, White, or special painted finishes to blend with the ceiling decor.

OPERATION

The simple two-step operation of the **UNSPOILER** sprinkler makes it one of the most dependable available. The cover plate is attached to the sprinkler by two springs so that the plate stays flush with the ceiling and resists movement from vibration. A eutectic alloy holds spring clips to the cover plate. At the designated temperature, the alloy melts and the cover plate falls away revealing the sprinkler already in position for action. The operating mechanism of the sprinkler fuses at the designated temperature and a spray of water is released.

TECHNICAL DATA

Approvals:

Listed by UL and ULC; Approved by FM (Light Hazard Only) and NYCBSA Cal. # 177-79-SA.

Discharge Coefficients

1/2" (12.7mm) orifice:

K = 5.6 (81)

Maximum Working Pressure:

175 psi (1206 kPa)

Temperature Ratings

Cover Plate		Sprinkler	
F°	C°	F°	C°
135°	57°	135°	57°
135°	57°	165°	74°
165°	74°	212°	100°

Physical Characteristics

1/2" (12.7mm) orifice with 1/2" NPT (15mm BST).

Finishes:

Cover plates are stocked in Bright Chrome, Polished Brass, as well as Flat White. Covers will be painted any color desired, provided a paint match sample is provided by the purchaser.

**WARNING
DO NOT
PAINT COVER PLATES!**

**ONLY
FACTORY APPLIED
FINISHES ARE APPROVED.**

MAINTENANCE

Sprinkler inspections should be made on a regular basis to detect possible damage or alterations. Automatic sprinklers should be replaced if they are painted, corroded, damaged, or if they have been in service over 50 years. A sprinkler that has been fused cannot not be reassembled and reused. Replacement must be made with a sprinkler of the same size, type and temperature rating. Refer to National Fire Protection Association Pamphlet 13 for further information.

INSTALLATION

Concealed sprinklers should be installed in accordance with the latest published standards of the National Fire Protection Association or governing jurisdictional authorities. They can be easily installed on wet pipe systems and require no special fittings. Use only the **UNSPOILER** installation wrench and spring connecting tool to install the **UNSPOILER** sprinkler and cover plate. Install in standard 1/2" (15mm) pipe outlets. Provide ceiling recess and clearances as illustrated in Figure 1. Install gauge plate flush to bottom of ceiling. To install cover, use the slotted end of the spring connecting tool. Grasp lower loop of each spring and slide under the spring clip on cover. Do not press the cover plate projections into the ceiling.

ORDERING INFORMATION

Please specify:

1. Sprinkler Temperature
2. Cover plate temperature rating
3. Cover Plate Finish
4. Quantity
5. Wrench Quantity
6. Spring Connecting Tool

Note

135°F Cover Plate must be used with 135°F and 165°F Sprinkler.
165°F Cover Plate must be used with 212°F Sprinkler.

SHIPPING INFORMATION Sprinkler

Quantity
50

Box Size
14 1/2" x 14 1/2" x 6 3/4"
(368mm x 368mm x 171mm)

Weight
22 lbs. (10 kgs)

Cover Plate

Quantity
50

Box Size
22" x 7" x 5"
(558mm x 177mm x 127mm)

Weight
7 lbs. (3.2 kgs)

CAUTION

Star sprinklers are shipped with a factory applied coating of Vibra-Seal® sealant on the threads. Star Sprinkler recommends that no additional coating such as tape or dope be used. Always store unused sprinklers in a cool dry place. **Never hang objects from sprinklers.**

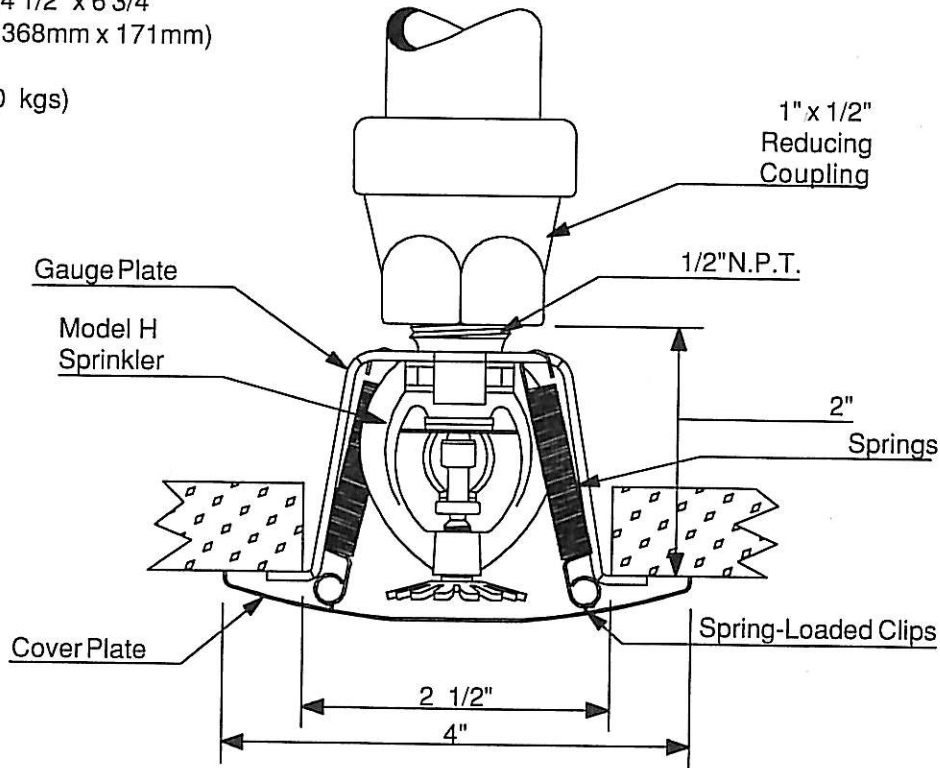
WARRANTY

Seller warrants for a period of one year from date of shipment (warranty period) that the

products furnished here-
under will be free of defects
in material and workmanship.

K = 5.6 (81.2 Metric)

	PSI	GPM	PSI	GPM	PSI	GPM	PSI	GPM
1	5.60	26	28.55	51	39.99	76	48.82	
2	7.92	27	29.10	52	40.38	77	49.14	
3	9.70	28	29.63	53	40.77	78	49.46	
4	11.20	29	30.16	54	41.15	79	49.77	
5	12.52	30	30.67	55	41.53	80	50.09	
6	13.72	31	31.18	56	41.91	81	50.40	
7	14.82	32	31.68	57	42.28	82	50.71	
8	15.84	33	32.17	58	42.65	83	51.02	
9	16.80	34	32.65	59	43.01	84	51.32	
10	17.71	35	33.13	60	43.38	85	51.63	
11	18.57	36	33.60	61	43.74	86	51.93	
12	19.40	37	34.06	62	44.09	87	52.23	
13	20.19	38	34.52	63	44.45	88	52.53	
14	20.95	39	34.97	64	44.80	89	52.83	
15	21.69	40	35.42	65	45.15	90	53.13	
16	22.40	41	35.86	66	45.49	91	53.42	
17	23.09	42	36.29	67	45.84	92	53.71	
18	23.76	43	36.72	68	46.18	93	54.00	
19	24.41	44	37.15	69	46.52	94	54.29	
20	25.04	45	37.57	70	46.85	95	54.58	
21	25.66	46	37.98	71	47.19	96	54.87	
22	26.27	47	38.39	72	47.52	97	55.15	
23	26.86	48	38.80	73	47.85	98	55.44	
24	27.43	49	39.20	74	48.17	99	55.72	
25	28.00	50	39.60	75	48.50	100	56.00	



**Figure 1
Model H Unspoiler
Installation Detail**

Vibra-Seal® is a registered trademark of the Loctite Corporation.



**STAR
SPRINKLER
CORPORATION**

Box 511 • 307 West Layton Avenue
Milwaukee, WI 53201
(414) 769-5500 • 1-800-558-5236