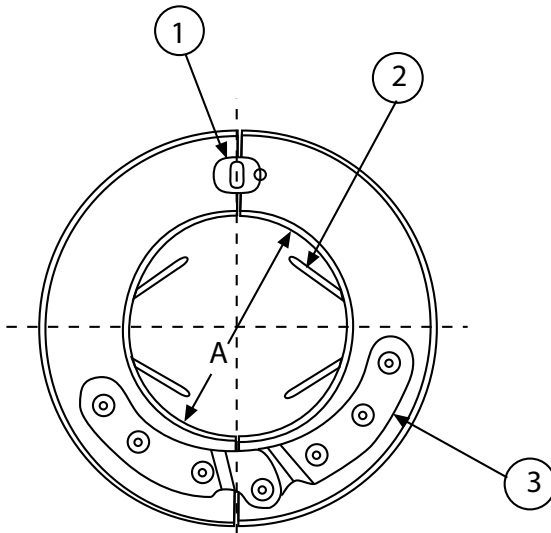
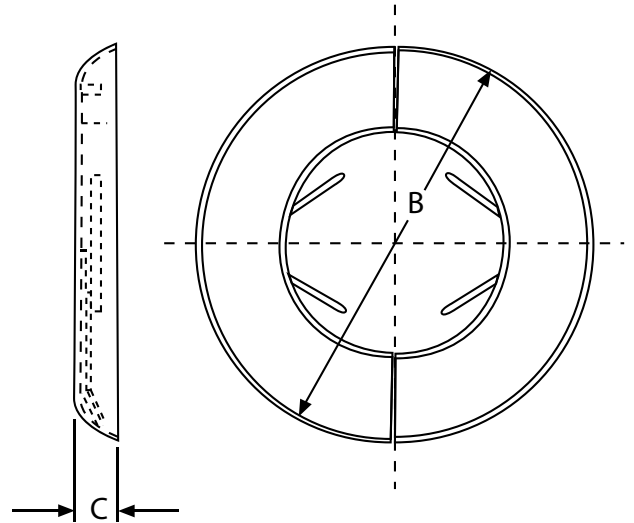


STEEL FLOOR AND CEILING PLATE SPEC SHEET



- | | | |
|---|--------|------------|
| 1 | Buckle | Cast Brass |
| 2 | Spring | Brass |
| 3 | Hinges | Brass |

Size	A	B	C
.5"	.88"	2.63"	.33"
.75"	1.135"	2.842"	.32"
1"	1.417"	3.299"	.346"
1.25"	1.771"	3.58"	.362"
1.5"	2.007"	3.86"	.315"
2"	2.47"	4.5"	.342"
2.5"	2.992"	5.22"	.33"
3"	3.6"	5.9"	.362"
4"	4.645"	7.086"	.362"
5"	5.9"	8.976"	.39"
6"	6.889"	9.842"	.417"
8"	8.858"	13.188"	.393"

PROJECT INFORMATION	APPROVAL STAMP
Project:	<input type="checkbox"/> Approved
Address:	<input type="checkbox"/> Approved as noted
Contractor:	<input type="checkbox"/> Not approved
Engineer:	Remarks:
Submittal Data:	
Notes 1:	
Notes 2:	