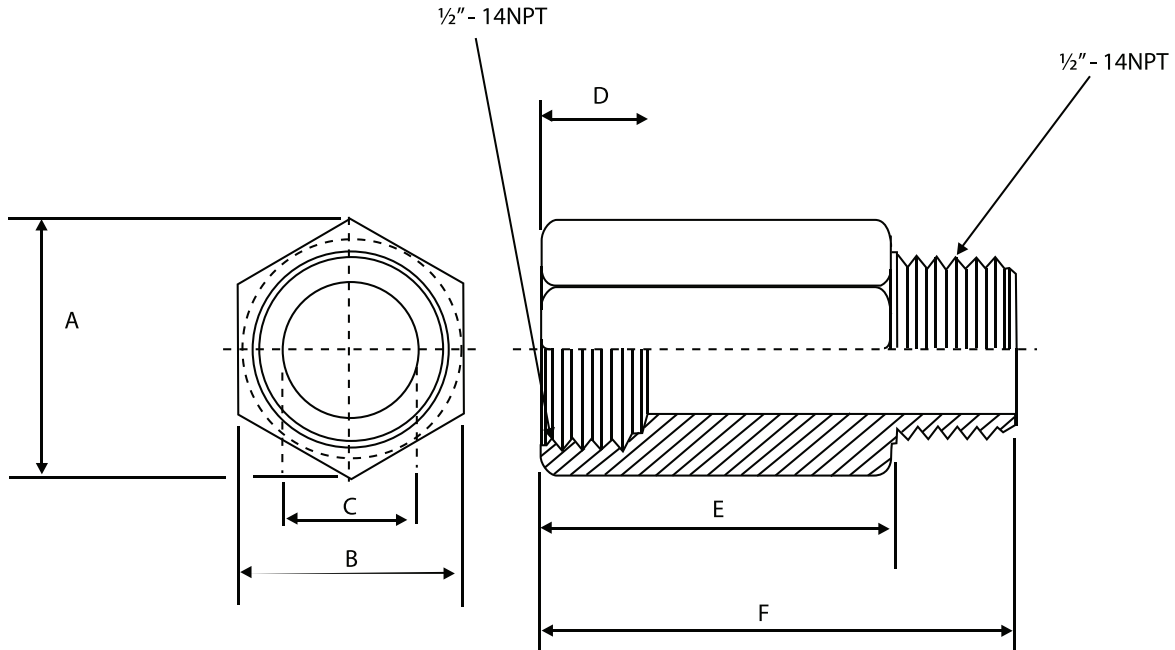


BRASS EXTENSIONS



Size	A	B	C	D	E	F
$\frac{1}{2}'' \times \frac{1}{2}''$	1.079"	.949"	.567"	.516	.535"	1.031"
$\frac{1}{2}'' \times \frac{3}{4}''$	1.079"	.949"	.567"	.531	.787"	2.016"
$\frac{1}{2}'' \times 1''$	1.079"	.949"	.567"	.547	.965"	1.5"
$\frac{1}{2}'' \times 1\frac{1}{2}''$	1.079"	.949"	.567"	.547	1.488"	2.016"
$\frac{1}{2}'' \times 2''$	1.079"	.949"	.567"	.535	2.008"	2.532"
$\frac{3}{4}'' \times \frac{1}{2}''$	1.346"	1.181"	.709"	.524"	.539	1.035"
$\frac{3}{4}'' \times \frac{3}{4}''$	1.346"	1.181"	.709"	.62"	.68	1.27"
$\frac{3}{4}'' \times 1''$	1.346"	1.181"	.709"	.62"	.91	1.5"

Caution: Do not exceed 15 foot pounds torque. Over tightening will cause the sprinkler extension to crack and leak. See additional warnings regarding waiver of liability and use.

PROJECT INFORMATION	APPROVAL STAMP
Project:	<input type="checkbox"/> Approved
Address:	<input type="checkbox"/> Approved as noted
Contractor:	<input type="checkbox"/> Not approved
Engineer:	Remarks:
Submittal Data:	
Notes 1:	
Notes 2:	

BRASS EXTENSIONS

WARNING

THIS PRODUCT IS SOLD AS IS AND WITH ALL FAULTS, PROPER INSTALLATION IS REQUIRED TO AVOID RISK OF FAILURE, WE MAKE NO WARRANTY OF ANY KIND FOR THIS PRODUCT. USE THIS PRODUCT AT YOUR OWN RISK. WE WILL NOT PROVIDE FOR REPLACEMENT OF THIS PRODUCT NOR WILL WE BE RESPONSIBLE FOR ANY DIRECT OR CONSEQUENTIAL DAMAGES ASSOCIATED WITH THE USE OF THIS PRODUCT.

This product should only be used when no other installation option is available and then only installed under controlled and supervised conditions. The following disclosure should be considered when determining whether you should use brass sprinkler extensions as identified in our full product catalog. The product is manufactured in 1/2" IPS sizes in "take out" lengths of 1/2", 3/4", 1', 1 1/2", 2".

This product has neither been tested nor approved by any agency or authority as being a universally accepted product for the extension of sprinklers. The shortness of both the male and female threads of the brass sprinkler extensions require ideal installation conditions to be assured of successful use. Proper installation requires ideal installation conditions to be assured of successful use. Proper installation requires the proper use of tools and an adequate amount of thread sealant as well as mating the extensions with properly threaded components such as the sprinkler and the reducer to which the extension may be installed. Great care must be taken not to over-tighten the sprinkler/extension/reducer assembly. Over-tightening will cause failure of the brass sprinkler extensions in almost every case. Evidence of failure may not be visible inspection. The absence of apparent leaks during hydro-testing may not reveal product failure.

By installing this product you acknowledge that you have read this warning and disclosure and that you understand the statements contained herein and furthermore accept responsibility for use of this product.