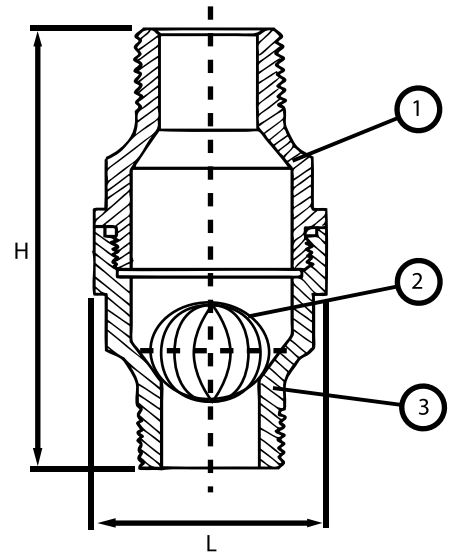
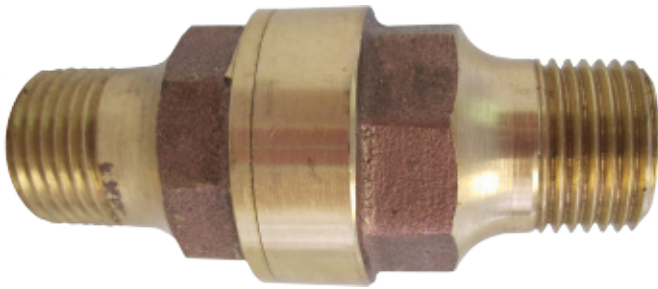


BALL DRIP

Ball drips feature a bronze construction. Prevents moisture accumulation on 'dry' side of FDC when used with an approved check valve.



MATERIAL LIST		
NO.	DESCRIPTION	MATERIAL
1	Bonnet	Brass (ASTM-UNS B584 C85710)
2	Ball	Brass (ASTM-UNS B124 C37700)
3	Body	Brass (ASTM-UNS B584 C85710)

	SIZE	L	H
	1/2" Male	1.36"	3.07"
	3/4" Male	1.36"	2.88"

PROJECT INFORMATION	APPROVAL STAMP
Project:	<input type="checkbox"/> Approved
Address:	<input type="checkbox"/> Approved as noted
Contractor:	<input type="checkbox"/> Not approved
Engineer:	Remarks:
Submittal Data:	
Notes 1:	
Notes 2:	