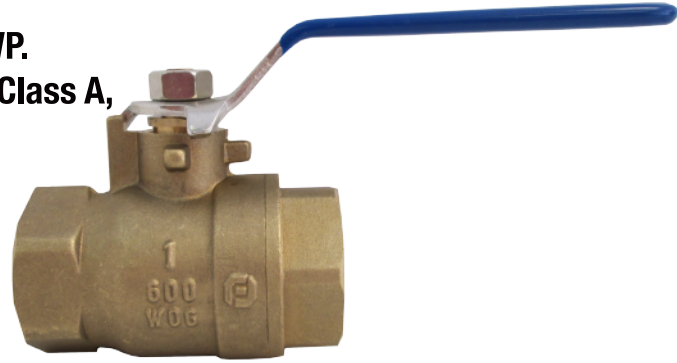
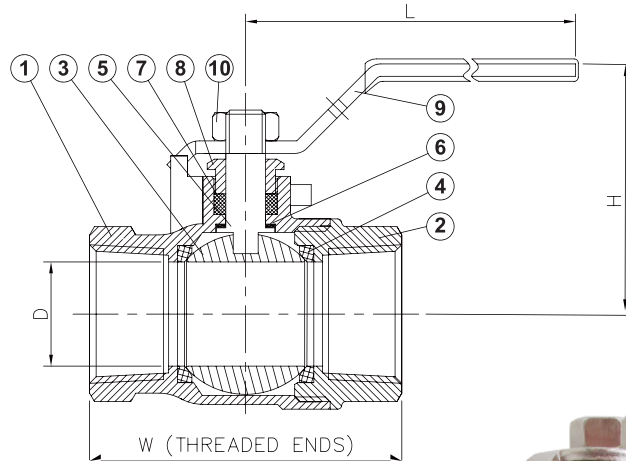


BALL VALVE -FULL PORT

- Full-Port threaded ends (1/4" to 2" with CSA/UL/FM/NSF61 Approval).
- 2-Piece Forged Brass.
- Female NPT Inlet and Outlet.
- 600 WOG (2 1/2" to 4": 400 WOG/600 WOG Optional), 150 SWP.
- Valves conform to Federal Specification WW-V-35, Type II Class A, Style 3 and MSS SP-110.



| MATERIAL LIST | |
|-----------------|---------------------|
| NO. | MATERIAL |
| 1 Body | Forged Brass |
| 2 End Cap | Forged Brass |
| 3 Ball | Brass |
| 4 Seat | PTFE |
| 5 Stem | Brass (ASTM B16) |
| 6 Thrust Washer | PTFE |
| 7 Packing | PTFE |
| 8 Gland | Brass |
| 9 Handle | Carbon Steel Plated |
| 10 Nut | Carbon Steel Plated |



| SIZE | D | W | H | L |
|--------|-------|-------|-------|-------|
| 1/2" | 0.50" | 2.12" | 1.45" | 3.23" |
| 3/4" | 0.75" | 2.41" | 1.78" | 3.94" |
| 1" | 0.98" | 2.96" | 2.29" | 4.72" |
| 1 1/4" | 1.22" | 3.28" | 2.44" | 4.72" |
| 1 1/2" | 1.50" | 3.67" | 3.00" | 7.09" |
| 2" | 1.97" | 4.21" | 3.30" | 7.09" |

UL Approval:

- Trim and Drain (300psi)
- Compressed Gas Shut-off Valves (600psi)
- Flammable Liquid Shut-Off Valves (600psi)
- Gas Shut-Off Valves (600psi)
- LP-Gas Shut-Off Valves (600psi)
- Manual Valves (600psi)

FM Approval:

- 600 psi Rating



| PROJECT INFORMATION | APPROVAL STAMP |
|---------------------|--|
| Project: | <input type="checkbox"/> Approved |
| Address: | <input type="checkbox"/> Approved as noted |
| Contractor: | <input type="checkbox"/> Not approved |
| Engineer: | Remarks: |
| Submittal Data: | |
| Notes 1: | |
| Notes 2: | |