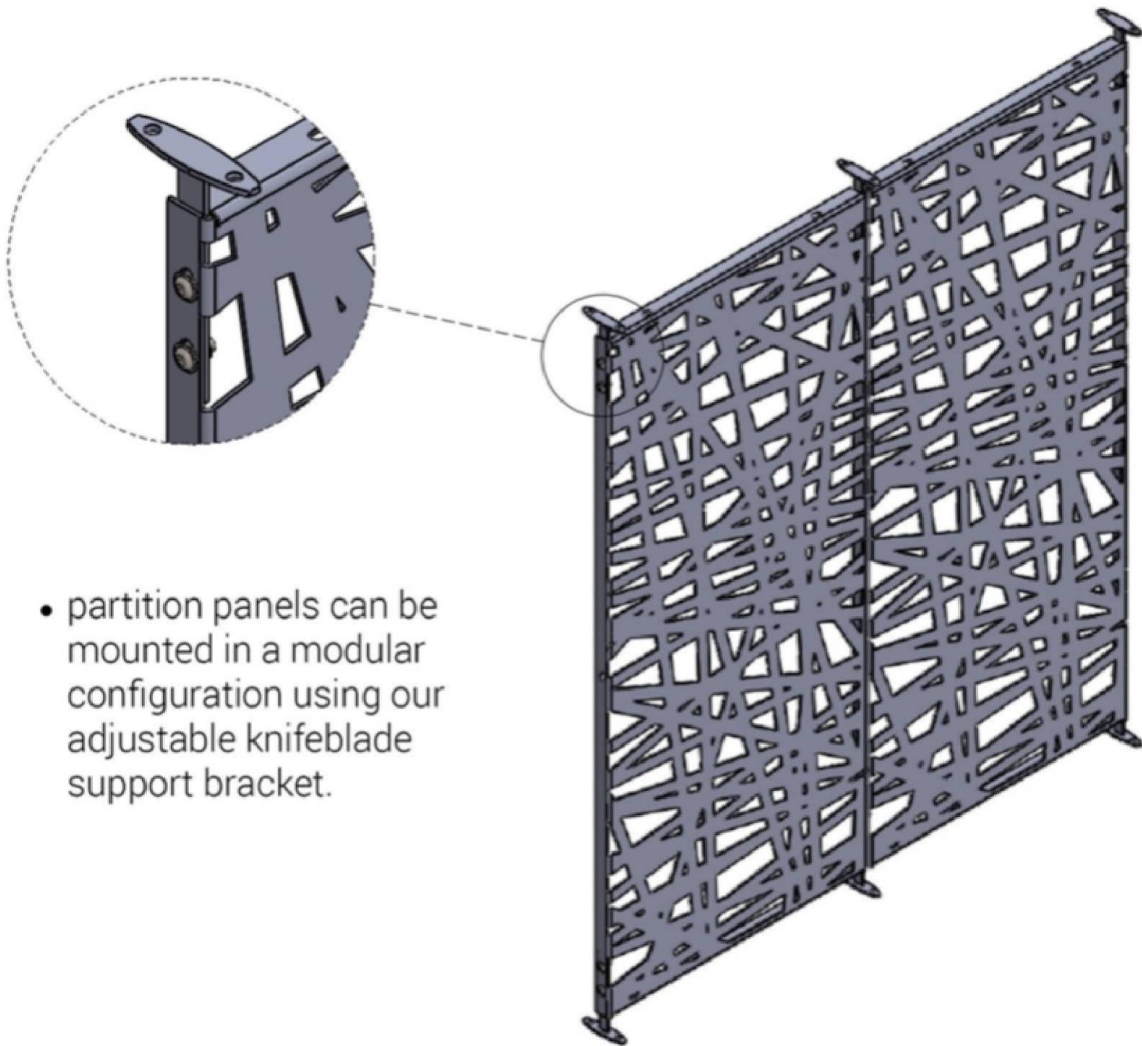




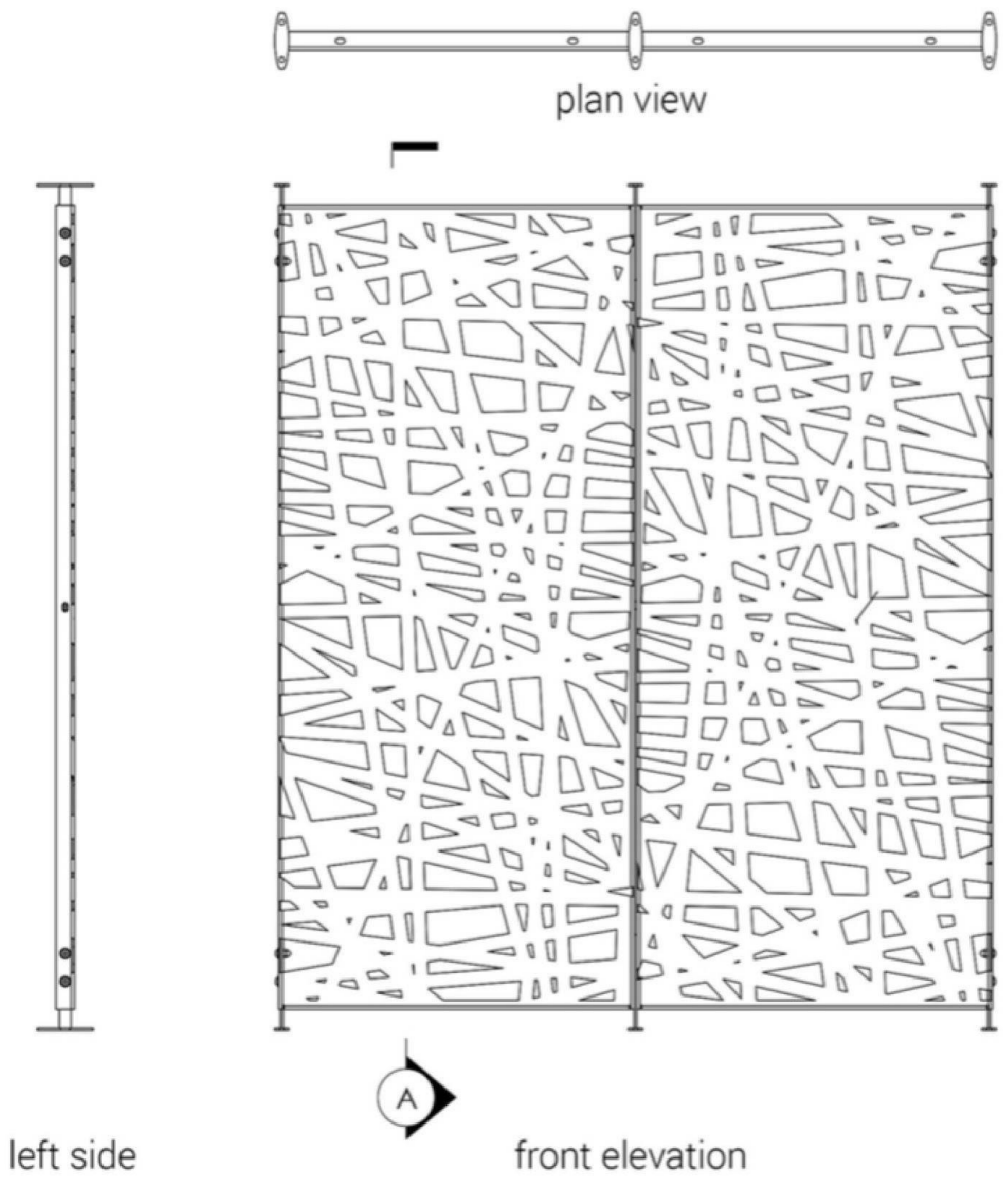
installation guide
partition screens

Description

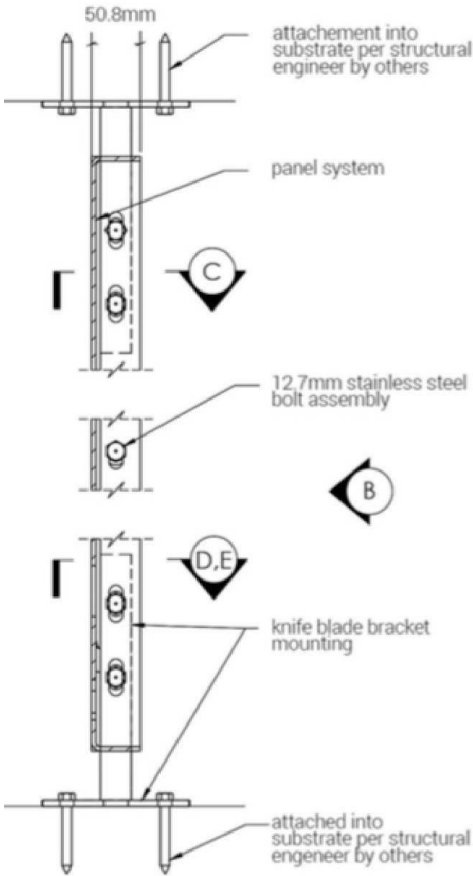


- partition panels can be mounted in a modular configuration using our adjustable knifeblade support bracket.

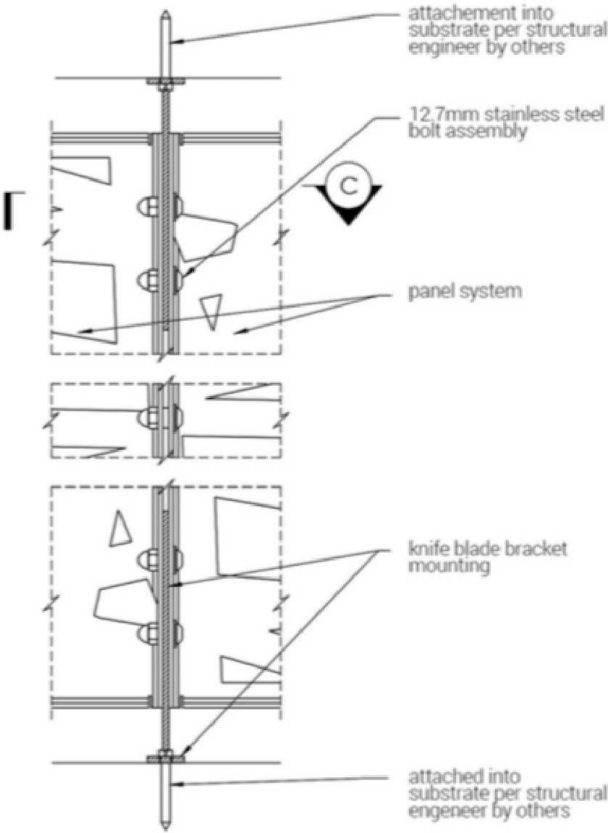
Plans & Elevations



Details

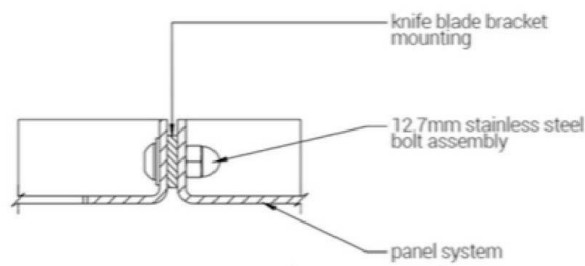


a. section detail

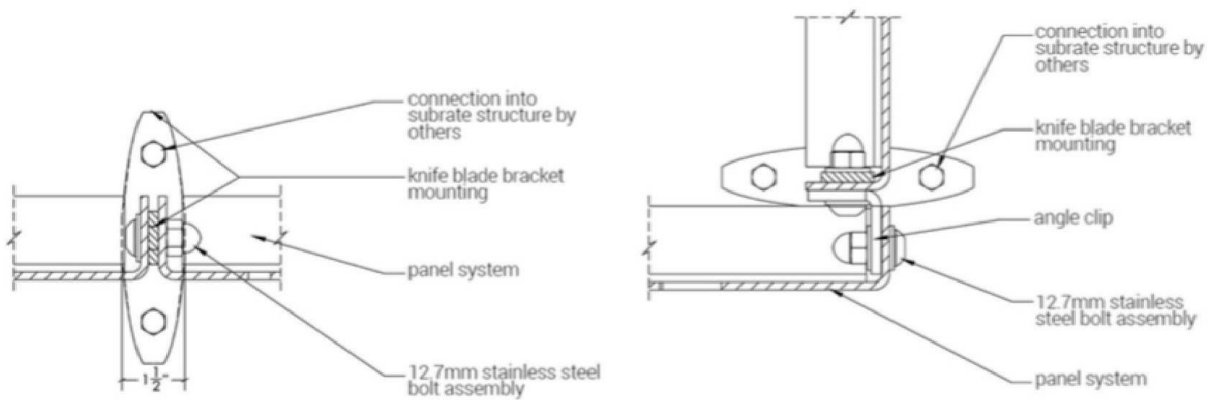


b. elevation detail

Details



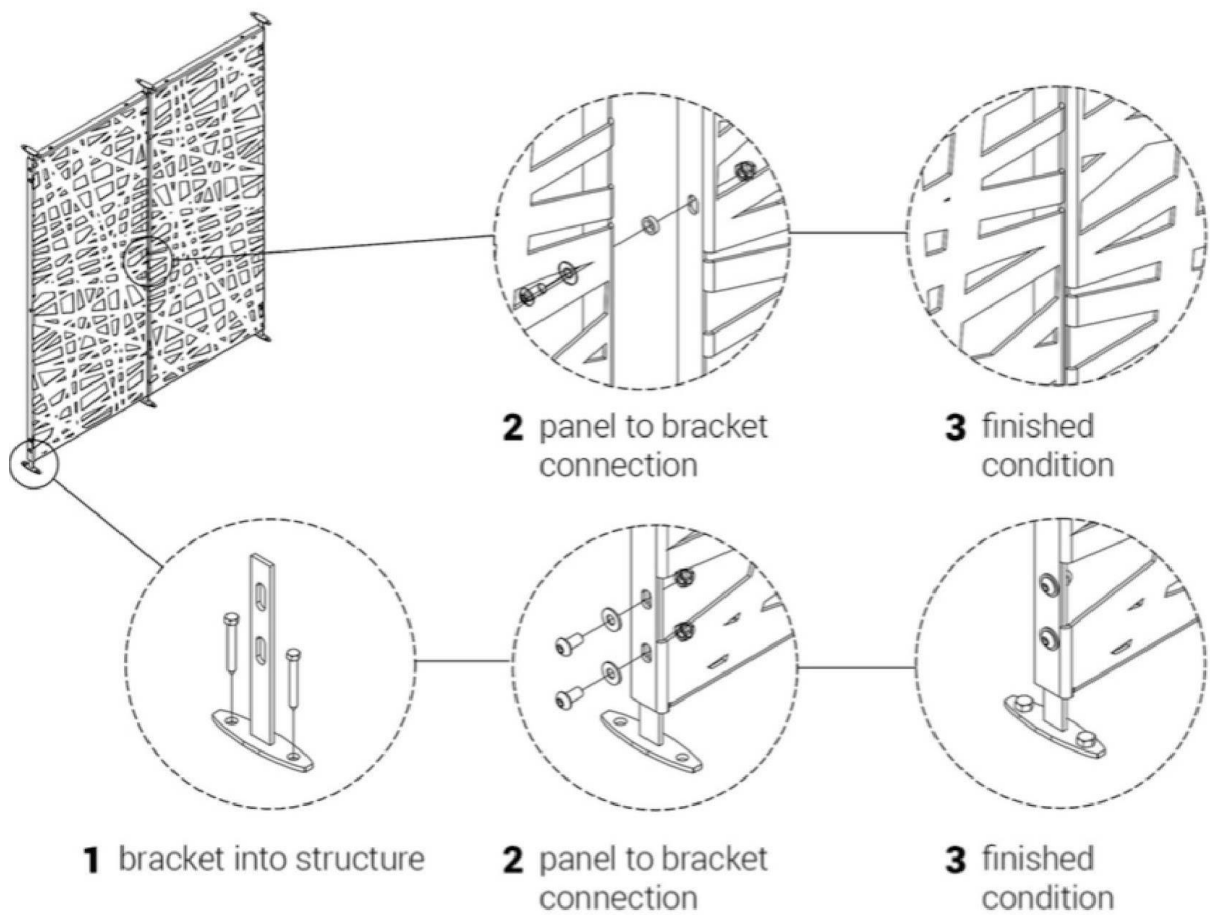
c. upper panel connection



d. plan detail

b. plan-corner section

Installation Sequence





that's it...!
call us if you need help!

www.design11.co.za | info@design11.co.za | 021 851 20 35
