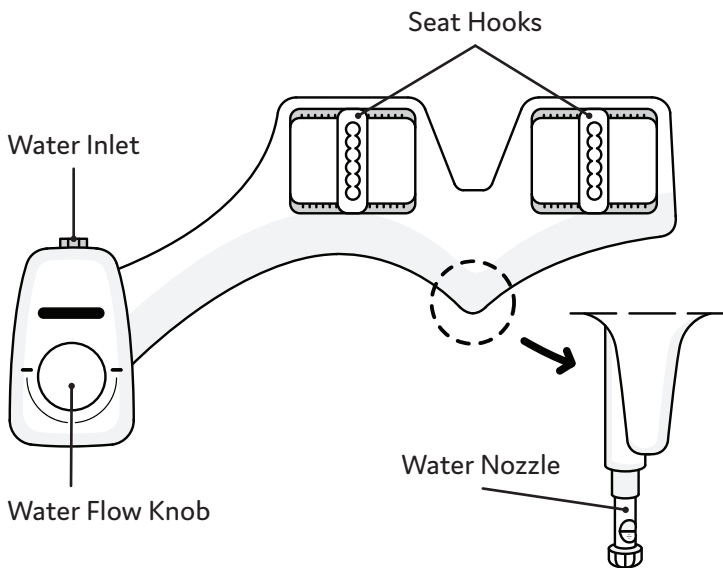


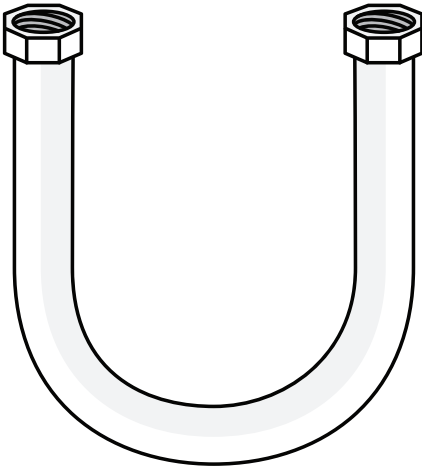
WHISPER

installation guide

Meet Whisper.



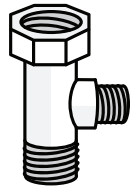
Included parts.



Hose



Washer

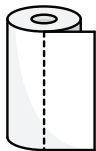


T- Adapter

Gather helpful supplies.



Cleaning Spray



Paper Towels



Towel



Flathead Screwdriver



Wrench

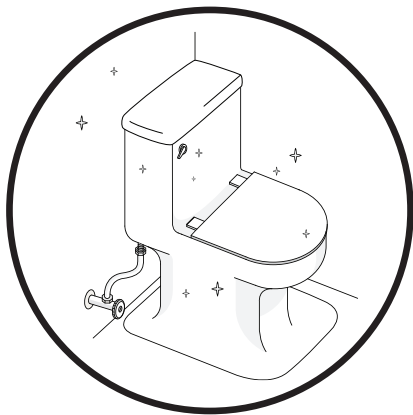


Patience

Say out loud:

**“Righty-tighty,
aka clockwise.
Lefty-loosey aka
counterclockwise.”**

Step 1

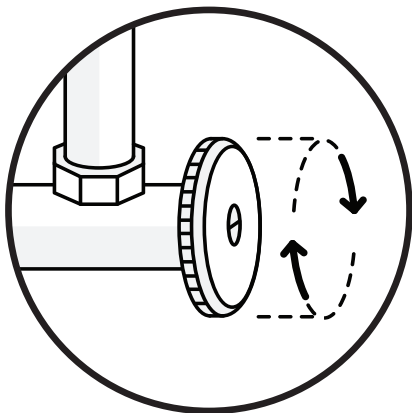


Clean toilet.

You don't wanna be face-to-face with a dirty toilet bowl.

****We won't be taking the seat off until Step 11.****

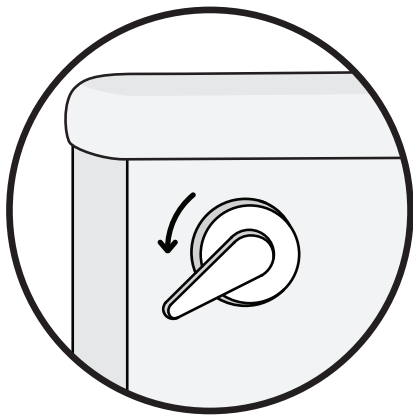
Step 2



Carefully turn water supply off.

Find the water supply on the wall near your toilet and slowly turn the water valve clockwise until you can't turn it anymore.

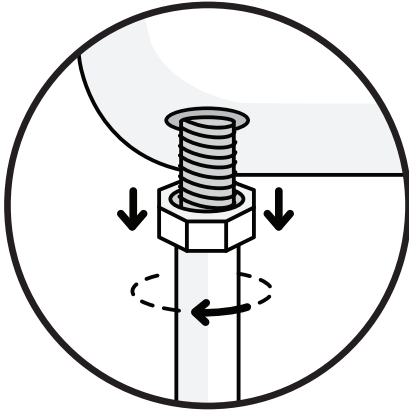
Step 3



Flush toilet.

Hold toilet handle down for 10 seconds to empty as much water from the tank as possible.

Step 4



Unscrew water supply hose from toilet tank.

Expect a small amount of water remaining in the hose to spill out.

Important Interruption

Over the next several steps, make sure you screw everything on straight and even to prevent damage to parts and leaking.

Another Important Interruption

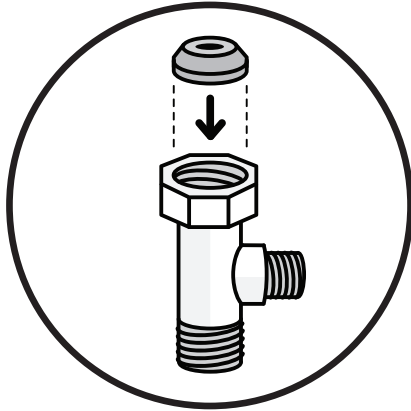
Tighten connections with hand power. If a tool is needed, tighten in increments of less than a quarter rotation.

Overtightening can damage parts and cause leaking.

IMPORTANT

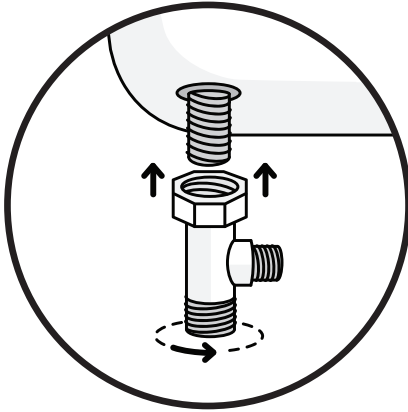
If your T-adapter already has a flat black wash inside of it you can skip this step. Use only the flat black washer.

Step 5



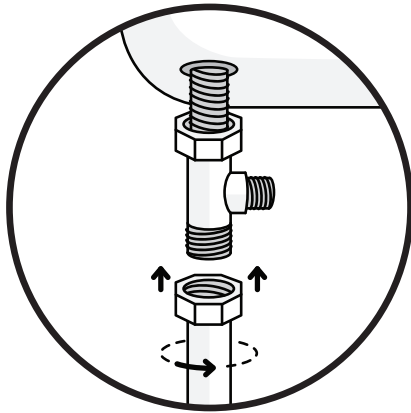
**Place washer
inside T-adapter.**

Step 6



**Screw T-adapter to
toilet tank water inlet.**

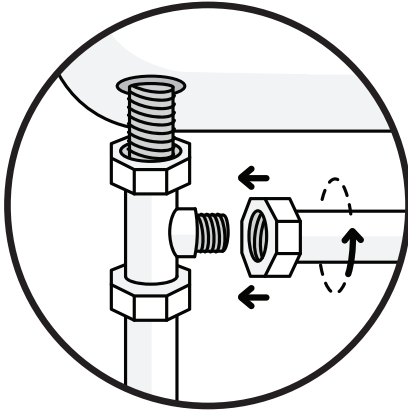
Step 7



Screw water supply hose to T-adapter.

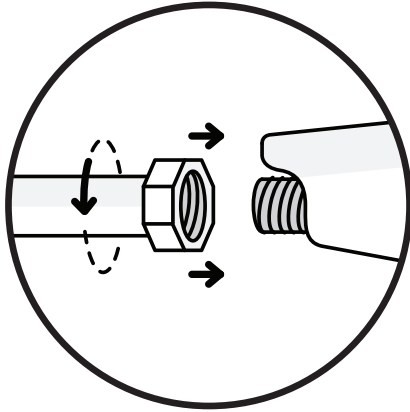
The hose coming from the water supply, not the included hose.

Step 8



**Screw included
hose to T-adapter.**

Step 9



**Screw included
hose to Whisper
water inlet.**

The moment of truth. Test for leaks.

Set Whisper on toilet with nozzle in bowl. Slowly turn water supply on the wall counterclockwise until water is flowing.

Check all connection points. If there are leaks, turn water supply off and go to page 28.

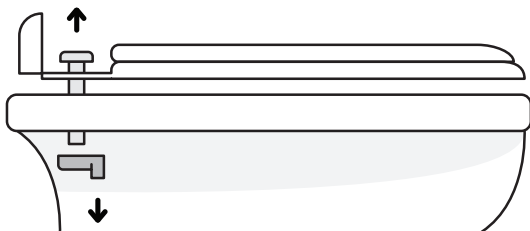
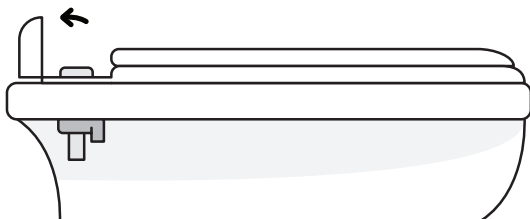
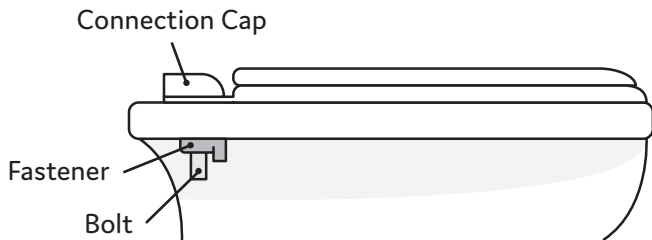
If there are no leaks, slowly turn the water flow knob on your Whisper toward "NOZZLE." This should shoot water straight into toilet. If there are no leaks, turn your Whisper off and proceed to the next step!

Remove toilet seat.

Set Whisper aside. Flip seat connection caps up by hand or with flathead screwdriver.

To unscrew the bolt, you'll need to reach to the underside of the seat connection with your other hand and spin off the seat fasteners while pressing down on the bolt heads, or hold the seat fasteners in place and unscrew the bolt heads.

You'll want to do some further cleaning now that the toilet seat is removed.

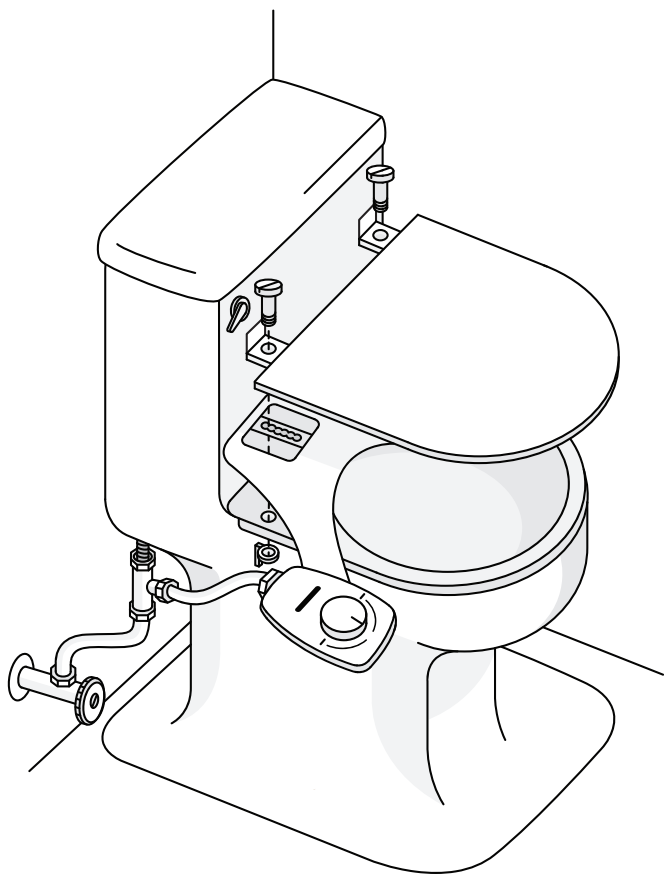


Step 12

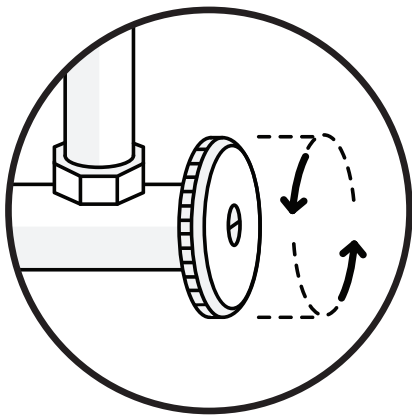
Align Whisper and reattach seat.

Place Whisper on toilet. Adjust seat hooks so they align with seat bolt holes on toilet.

Place toilet seat on top and thread the seat bolts through everything. Reattach seat fasteners. As you tighten the seat back into place make sure everything is straight and the nozzle is centered in the toilet bowl.



Step 13



Turn water supply on.

Slowly turn the water supply valve counterclockwise until it's all the way on.

Congratulations!

**You just leveled up
your bathroom game.**

Advice

Using your Whisper for the first time:

1. Optional pre-wipe

After a poop, you may want to wipe once to remove anything left behind.

2. Rinse clean

Very slowly turn your Whisper water flow knob toward "REAR" until the water pressure is comfortable for you. Rinse for 8-15 seconds and do a little wiggle.

3. Dry & post-wipe

Dab yourself dry and wipe again. You should be clean. If not, rinse and repeat.

****Some people rinse and dab dry with a cloth towel, using no toilet paper.****

More Advice

Toilet paper.

Now that you'll be using just a few squares of toilet paper, it's recommended you use strong toilet paper instead of one-ply.

One-ply falls apart too easily when in contact with water. If you have strong toilet paper, you can do your post-wipe with the same paper you dab dry with.

What to do if there's a leak:

1. Take a deep breath.
2. Determine exactly where the leak is coming from.
3. Refer to the next page to solve leak.

****When testing leaks, you need to turn the water supply valve on only a little bit and then turn it back off.****

Washers

Make sure you used the provided washer and replace any old defective washers you already had.

Straight Connections

Get eye level and make sure you screwed connections on perfectly straight. Screwing parts on crookedly can damage them and cause leaks.

Tighten Connections

Make sure connections are tight, but not overtightened. Overtightening can damage parts and cause leaks. When tightening connections using a wrench, tighten with a quarter rotation at a time.

If you've checked all your connections and washers and the problem still exists, check everything again.

We know it can be maddening, but leaks are often caused by a bad or missing washer or a poorly screwed connection.

If you're still having issues with your Whisper, email **support@whisperbidets.com** or call a local handyperson.

If you believe your Whisper is defective, please visit **whisperbidets.com** on how to get a replacement Whisper.

One-Year Limited Warranty

Your **Whisper** was carefully tested before shipment by the manufacturer, which warrants this product to be free from defects, materials, and workmanship for a period of one (1) year from the date of purchase.

This warranty excludes the following:

1. Replacement of discolored or used parts from chemicals used for cleaning or water discoloration.
2. Damage to or malfunction of the unit resulting from improper installation, negligence, misuse, abuse, or tampering by unauthorized repair personnel.
3. Under no circumstance is **Whisper** held liable for any loss or damage directly, consequentially, or incidentally arising out of the use of or inability to use this product.
4. Improper installation can result in plumbing breakage and water flooding in the bathroom or home. This product must be used at the owner's risk. Therefore, upon purchase, the owner hereby releases the manufacturer and distributor from any and all claims for damage where the above conditions exist.
5. The owner hereby releases **Whisper** from any and all claims from the installation and misreading or misinterpretation of the installation instructions included.

Date of purchase:

whisperbidets.com