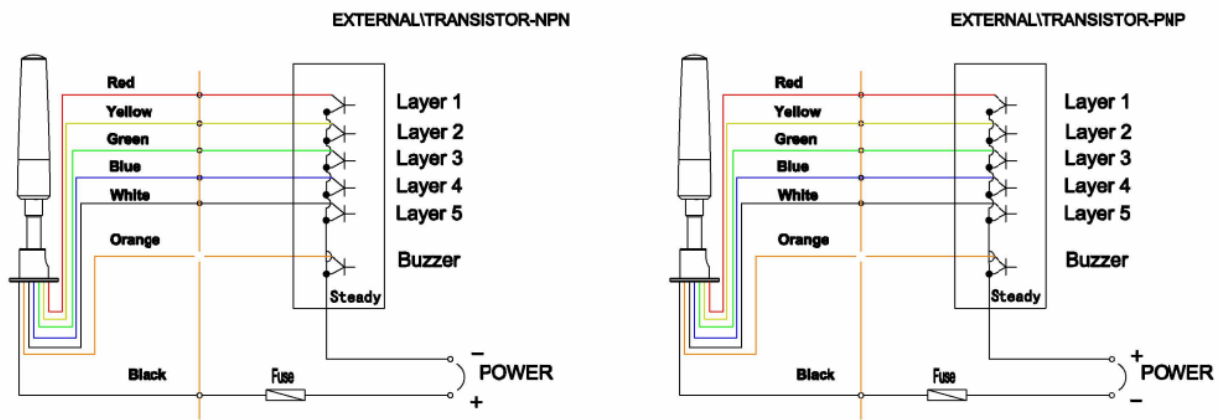
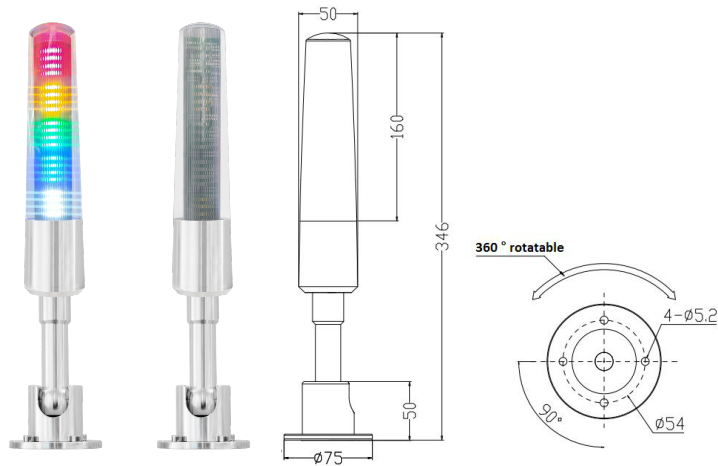




## SLM5 Stack Light



### Specifications

Full Power – 6W

Input Current 50mA / each light, 35mA buzzer

Voltage - 24V DC

Wiring - PNP or NPN

Color - Red, Amber, Green, Blue, White

Diameter - 50mm

Working Temp - -20-45C

Estimated Lifespan - 50,000 hours

IP Rating - IP50