



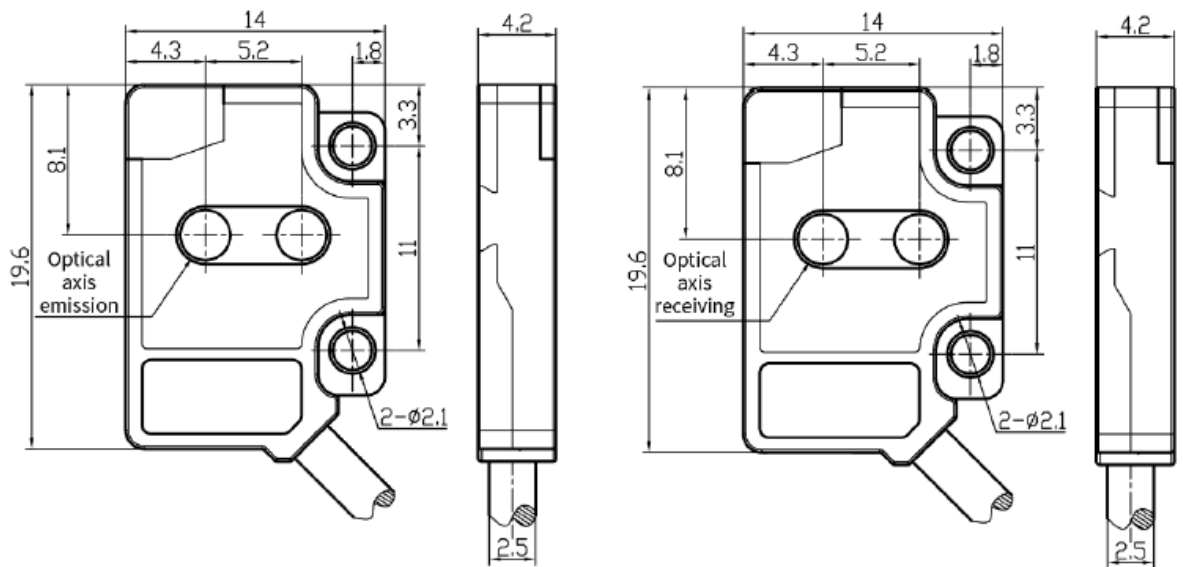
PSV-TC Miniature Through Beam Sensor



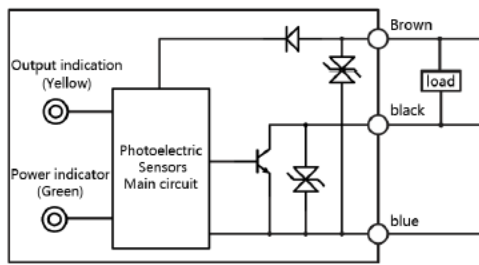
Models

PSV-TC50DNOR	NPN, Normally Open
PSV- TC50DNCR	NPN, Normally Close
PSV-TC50DPOR	PNP, Normally Open
PSV-TC50DPCR	PNP, Normally Closed

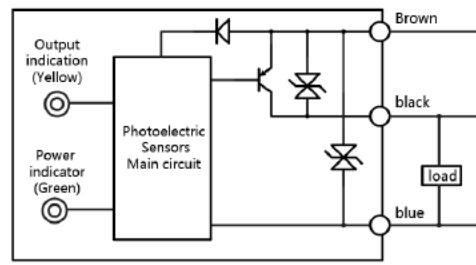
Dimension



Receiver

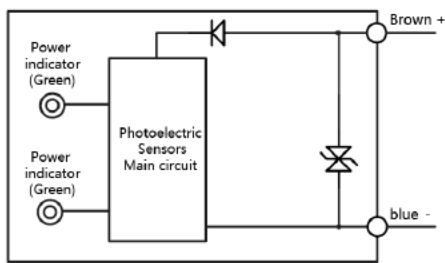


NPN



PNP

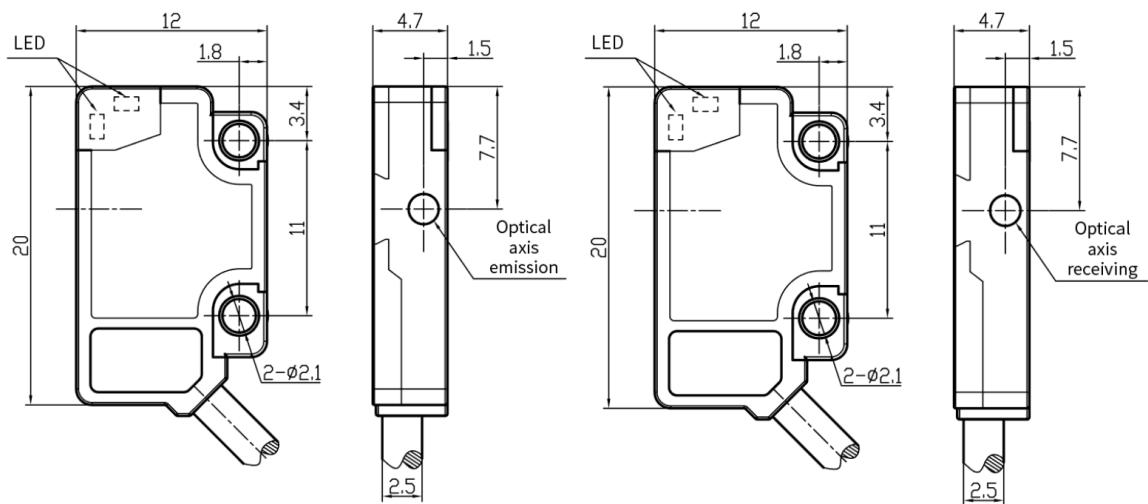
Emitter



Specifications			
Detection distance	50cm	Response time	<1ms
Standard test body	Φ2mm above opaque objects	Anti ambient light	Sunlight interference ≤10,000 lux
Direction angle	<2°		Incandescent light interference ≤3,000 lux
Light spot size	10*10cm@50cm	Operating temperature	-20...55 °C
Supply voltage	10...30VDC	Storage temperature	-30...70 °C
Consumption current	Emitter:≤10mA;Receiver:≤12mA	Protection degree	IP65
Load current	≤50mA	Certification	CE
Voltage drop	<1.5V	Shell material	PC+PBT
Light source	Red light(625nm)	Lens	PC
Protection circuit	Short circuit protection,Polarity protection	Weight	20g
	Overload protection,Zener protection	Connection	2m PVC cable
Indicator	Green:power,stable indicator;Yellow:output indicator	Accessory	Screws(M2×8mm)×2, Nut×2

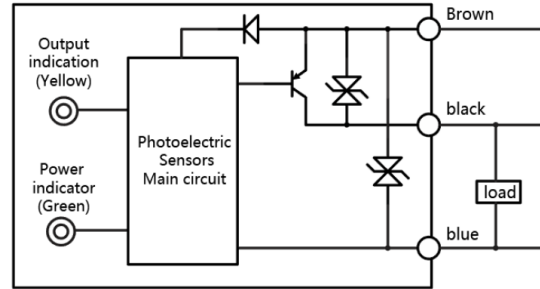
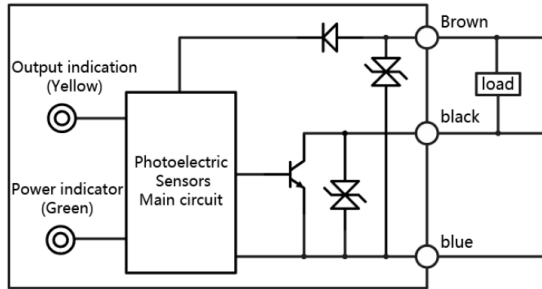


PSV-TM Miniature Through Beam Sensor Side Sensing

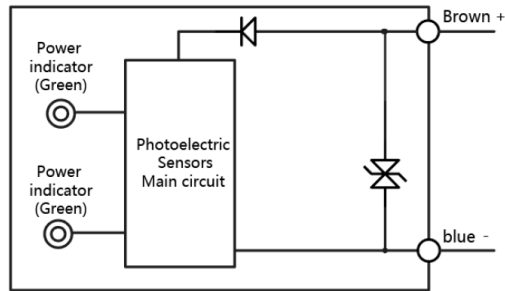


Wiring diagram

Receiver



Emitter



Model specification

	Emitter	Receiver		Emitter	Receiver
NPN NO	PSV-TM1DR-S	PSV-TM1DNOR-S	PNP NO	PSV-TM1DR-S	PSV-TM1DPOR-S
NPN NC	PSV-TM1DR-S	PSV-TM1DNCR-S	PNP NC	PSV-TM1DR-S	PSV-TM1DPCR-S

Specifications

Detection distance	100cm	Response time	<1ms
Standard test body	Φ2mm above opaque objects	Anti ambient light	Sunlight interference ≤10,000 lux Incandescent light interference ≤3,000 lux
Direction angle	<2°	Operating temperature	-20...55 °C
Light spot size	7*7cm@50cm	Storage temperature	-30...70 °C
Supply voltage	10...30V DC	Protection degree	IP65
Consumption current	Emitter:≤10mA;Receiver:≤12mA	Certification	CE
Load current	≤50mA	Shell material	PC+PBT
Voltage drop	<1.5V	Lens	PMMA
Light source	Red light(640nm)	Weight	20g
Protection circuit	Short circuit protection,Polarity protection Overload protection,Zener protection	Connection	2m PVC cable
Indicator	Green:power,stable indicator;Yellow:output indicator	Accessory	Screws(M2×8mm)×2, Nut×2