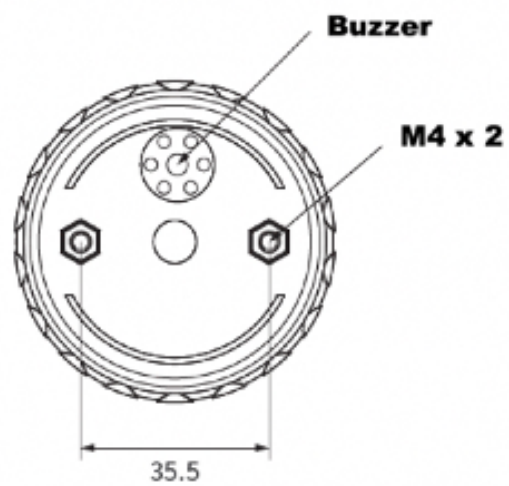
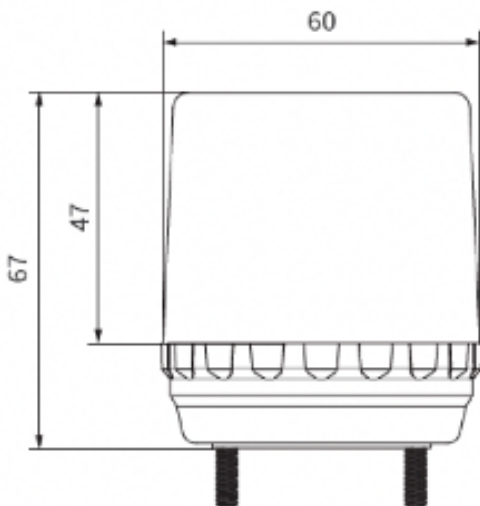




OSUSB – USB Status Light



Serial Communications:

Baud Rate 9,600 Bps

Data Bits 8

Stop Bit 1

Check Digit None

Flow Control None

Control script

command sent	instruction
7E AA 01 00 EF	D1 (Red Color) off
7E AA 01 01 EF	D1 (Red Color) on
7E AA 02 00 EF	D2 (Green color) off
7E AA 02 01 EF	D2 (Green color) on
7E AA 03 00 EF	D3 (Blue Color) off
7E AA 03 01 EF	D3 (Blue Color) on
7E AA 04 00 EF	D1+D2 (Yellow color) off
7E AA 04 01 EF	D1+D2 (Green Color) on
7E AA 05 00 EF	D2+D3 (Cyan Color) off
7E AA 05 01 EF	D2+D3 (Cyan Color) on
7E AA 60 00 EF	D1+D3 (Purple Color) off
7E AA 60 01 EF	D1+D3 (Purple Color) on
7E AA 00 00 EF	All color off
7E AA 00 01 EF	All color on
7E BB 00 01 EF	buzzer off
7E BB 00 00 EF	buzzer on

Return code: 00 for success, 01 for failure

Inquiry Code

7E000000EF	Query the current lighting
------------	----------------------------

Query Return Codes

7EBB0101EF	D1 light on
7EBB0201EF	D2 light on
7EBB0301EF	D3 light on
7E BB 04 01 EF	D1+D2 light on
7E BB 05 01 EF	D1+D3 light on
7E BB 06 01 EF	D2+D3 light on
7EBB0000EF	All light off
7EBB0001EF	All light on

When the light is powered, It is originally in the off state. It will return 7EBB0000EF

*

The voltage should be 5V ± 5%. Increases and decreases in voltage can shorten the life of the light.