



OD50 Specifications

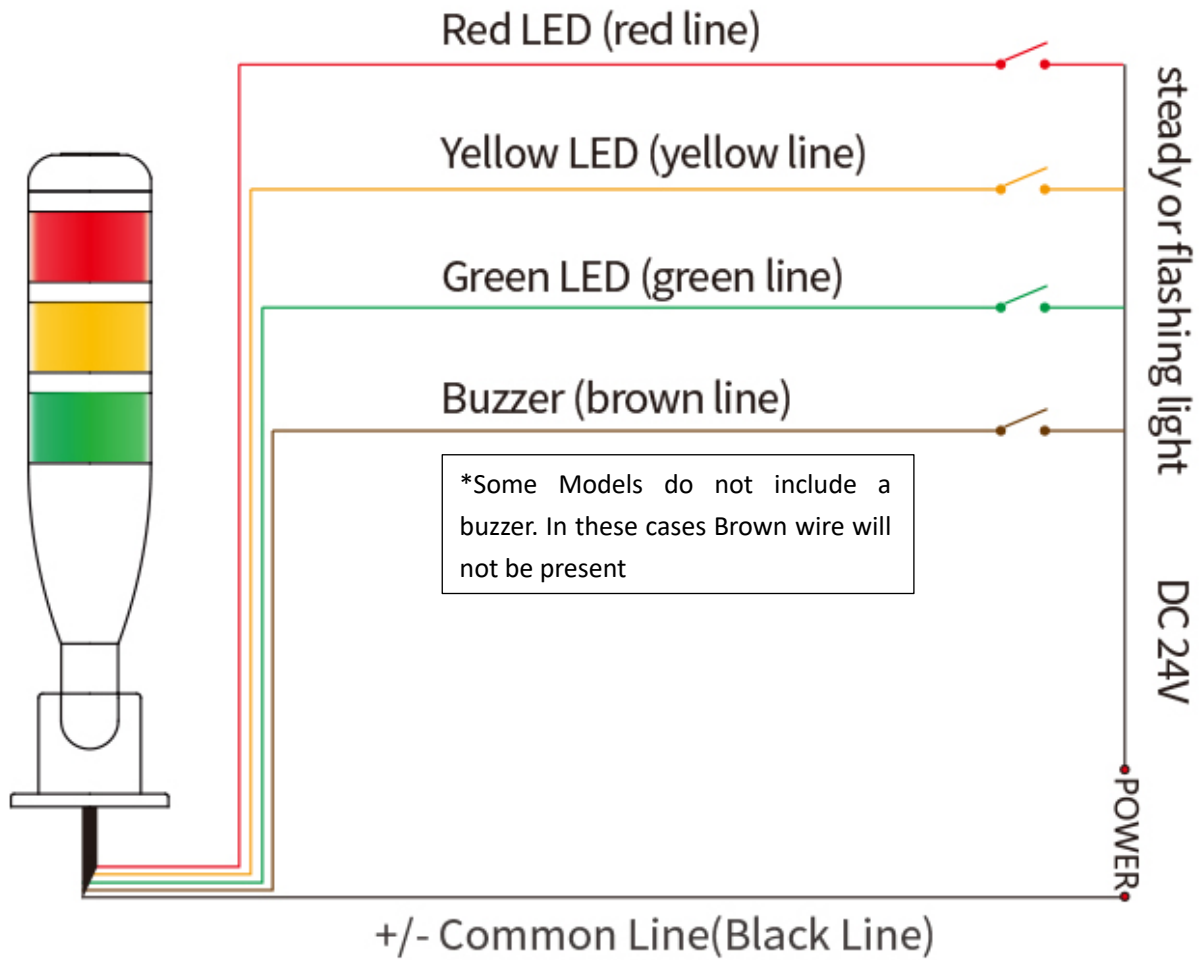


Aluminium alloy body

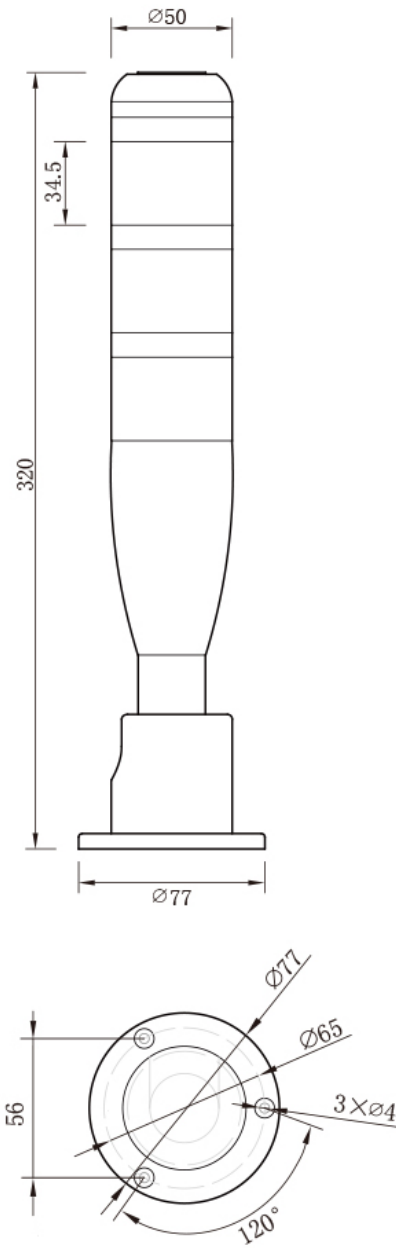
Rotating 90 degrees



CONTROL CIRCUIT DIAGRAM



DIMENSION



Specifications:

Voltage – 24V DC

Rating IP67

Light Color - Red, Green, Yellow (Blue, White by Special order)

Cord Length – .5M

Temperature Range - +55 to -25 C

Expected life 50,000 Hours.

Material – Aluminum body, PC Lens

Current: Red .03A, Yellow .04A, Green .01A