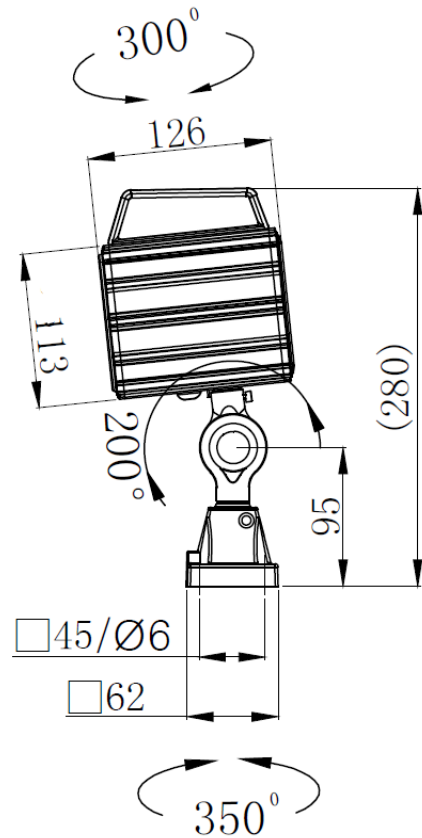


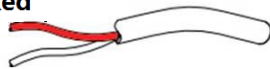


## ML1 LED Machine Light



### DC12/24V Cable

Positive(+): Red



Negative(-): White

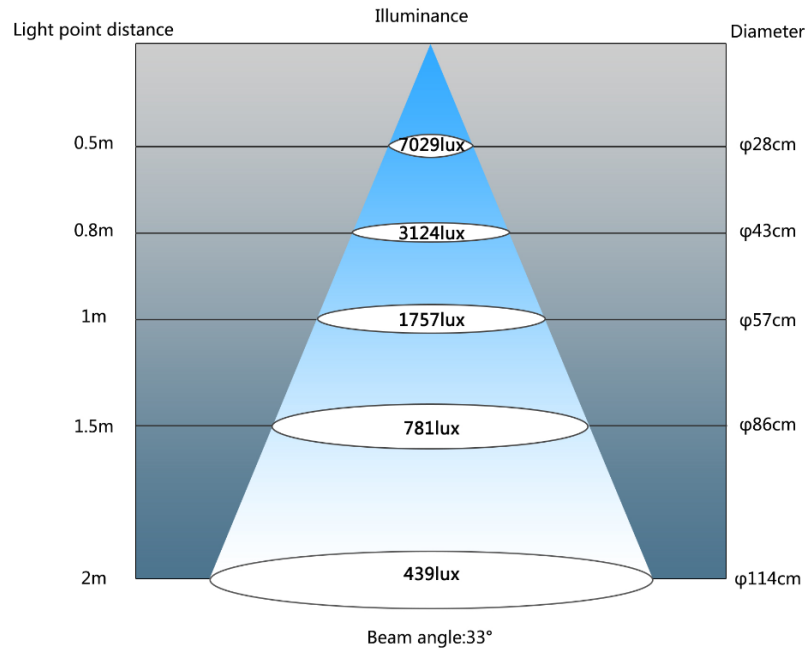
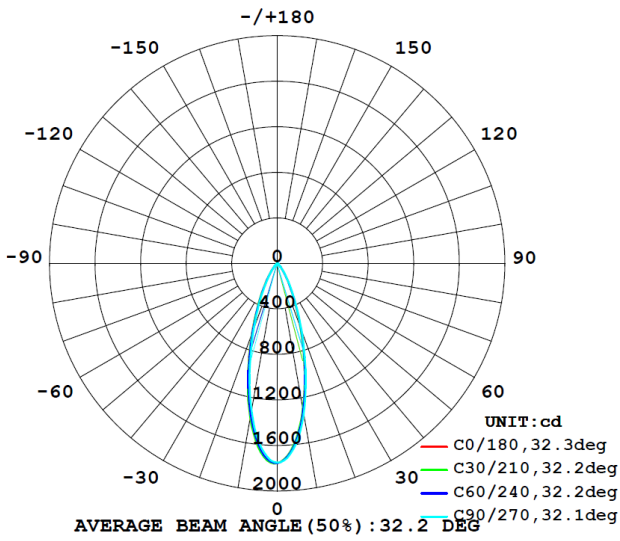
### AC100-240V Cable

L : Brown



N : Blue

## Light distribution data



## Specifications:

Power	9.5W
Input voltage	AC100-240V(50/60Hz), AC/DC24V, AC/DC12V
Lumen output(Efficiency)	830lm (87lm/w)
CRI	>80
IP rating	IP65
Beam angle	33 deg
Color temperature	2800-3200K, 4000-4500K, 6000-6500K
Material	Aluminum housing, PC lens, PA+15%GF base
Lifetime	50,000 hours
Certification:	
CE, RoHS, TUV, FCC	
Working temperature/ humidity	-20~45°C / 10%-90%
Storage temperature/ humidity	-20~60°C / 10%-90%
Installation	Fixed by screws