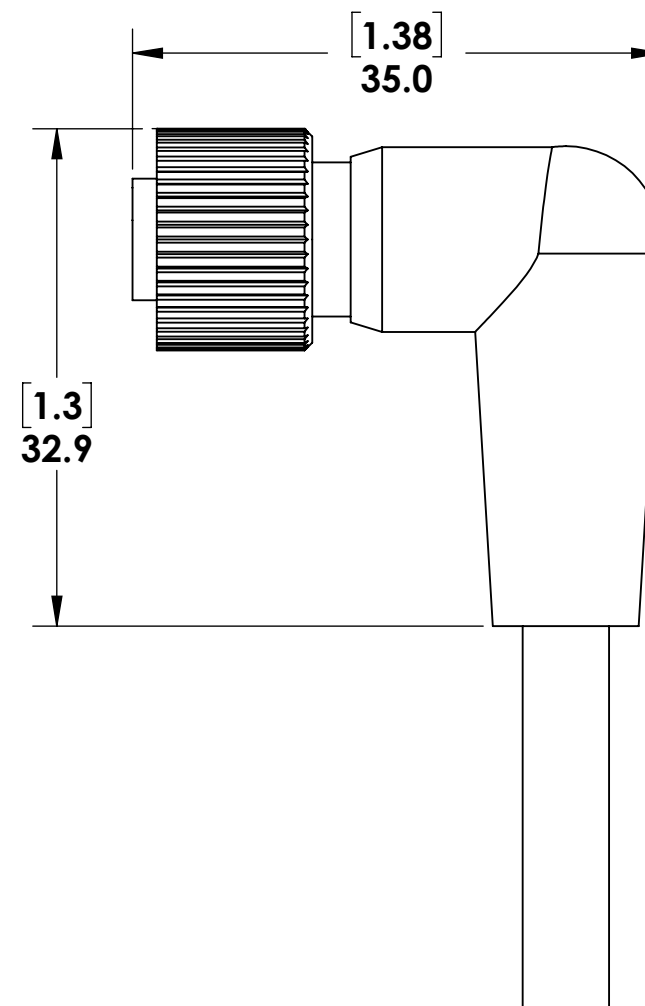


4 PIN CONNECTOR

PIN #	COLOR
1	BROWN
2	WHITE
3	BLUE
4	BLACK

5 PIN CONNECTOR

PIN #	COLOR
1	BROWN
2	WHITE
3	BLUE
4	BLACK
5	GRAY



SPECIFICATIONS

BODY	YELLOW PVC
CONTACTS	GOLD PLATED COPPER
CABLE	22/4 AWG
COUPLING	NICKLE PLATED BRASS
INSERT	POLYAMIDE
US APPROVAL	UL LISTED
CANADA APPROVAL	C-UL LISTED
VOLTS	300V
AMPS	4A
TEMP	105 C

DEFAULTS		CMH INDUSTRIES INC		
ANSI THIRD ANGLE	COUNTERSINKS:	TITLE	FEMALE PLUG	
		MATERIAL	Material <not specified>	
UNITS ARE IN mm X.X +/- .5 X.XX +/- .1 WHEN INCHES ARE USED X.X +/- .03 X.XX +/- .010 X.XXX +/- .005		FINISH	VENDOR -	
		DES. BY	VENDOR# -	
		DESIGNED DATE	10/23/2017	DRAWING NO.
		LAST SAVED DATE	9/27/2018	REV
BREAK ALL SHARP EDGES	DWG SIZE: B	M12 CORD SET		
		WEIGHT 0.01 LBS		
PROPRIETARY AND CONFIDENTIAL THE INFORMATION CONTAINED IN THIS DOCUMENT IS THE SOLE PROPERTY OF CMH INDUSTRIES INC. ANY REPRODUCTION WITHOUT THE WRITTEN PERMISSION OF CMH INDUSTRIES INC. IS PROHIBITED.				