



M100-B – Modern LED Work Light

Introduction:

1. Anodized aluminum and tempered glass, resistant to corrosion and high temperature.
2. IP65 waterproof, suitable for variety of environment.
3. High efficiency LED chip with PC lens, high lumen output and lighting evenness.
4. Arms with flexible joints, convenient to control lighting direction.
5. AC100-240V 50/60Hz, AC/DC24V input voltages optional to fit different applications,

Application:

CNC machine work: engraving machine, EDM machine etc.
Assembly and repair work.

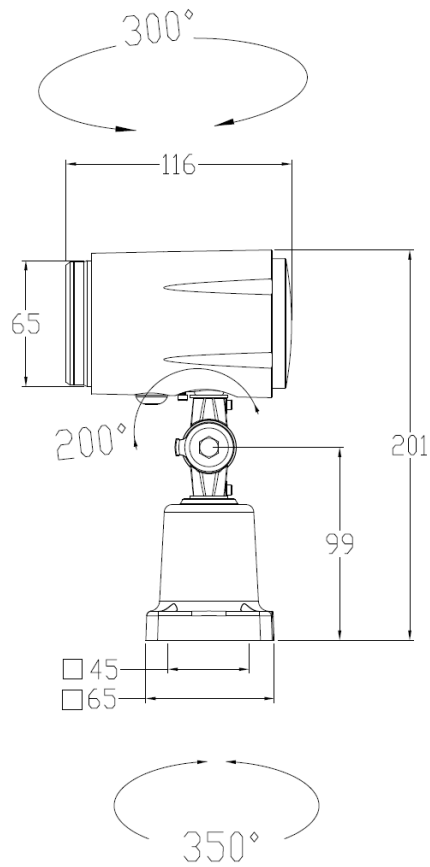
Warranty: 1 years

Certification: CE, RoHS, TUV, FCC

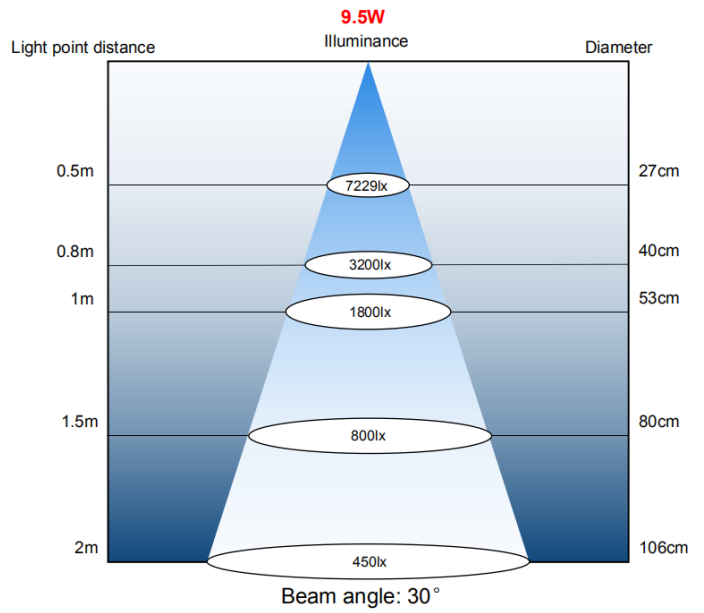
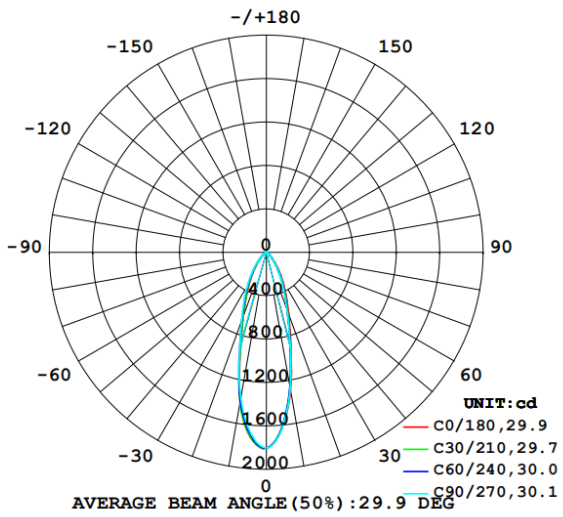


Parameter:

Power	9.5W
Input voltage	AC100-240V(50/60Hz), AC/DC24V
Lumen output (Efficiency)	800lm (85lm/w)
CRI	>80
IP rating	IP65
Beam angle	30 degree
Color temperature	2800-3200K, 4000-4500K, 6000-6500K
Material	Aluminum housing, PC lens, PA+15%GF base
Lifetime	50,000 hours
Working temperature/ humidity	-20~45℃ / 10%-90%
Storage temperature/ humidity	-20~60℃ / 10%-90%



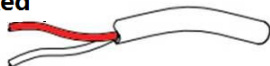
Light distribution data



Wire connection:

DC12/24V Cable

Positive(+): Red



Negative(-): White

AC100-240V Cable

L : Brown



N : Blue