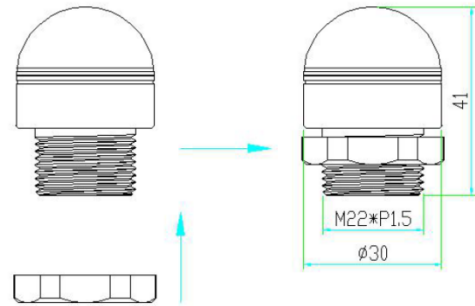
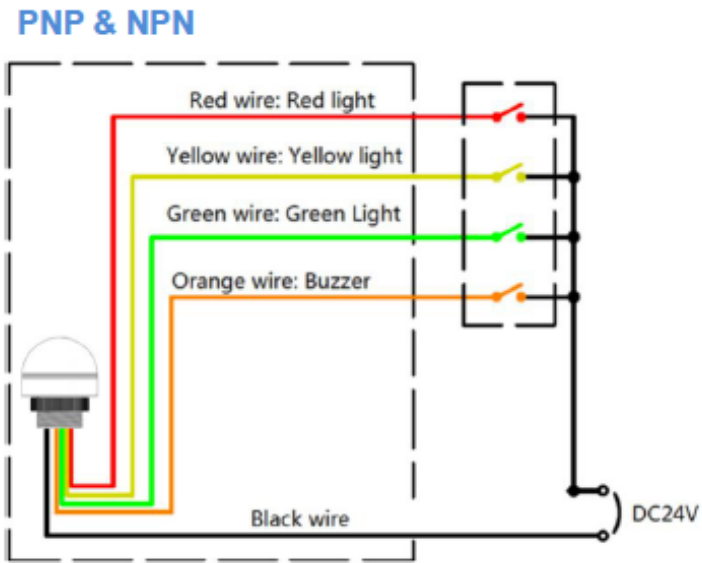




## ITLC-W-50 Multi-Color LED Light

Red, Green, Yellow Signal Light.



### Specifications

3W

24V DC

Input Current 30 to 50mA each color

Working Temperature -20 – 45 degrees C

PNP and NPN

CE Certification

Expected Life – 50,000 hours

Rating IP67

Materials – Aluminum and PC Plastic Cover