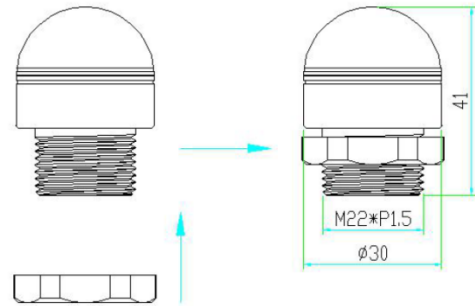
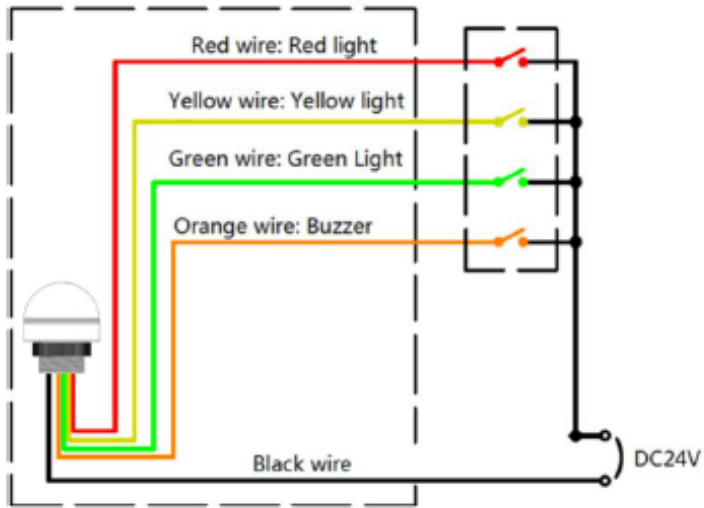




ITLC-W-030 Multi-Color LED Light

Red, Green, Yellow Signal Light.

PNP & NPN



Specifications

2W

12-24V DC

Input Current 30 to 50mA each color

Working Temperature -20 – 45 degrees C

PNP and NPN

CE Certification

Expected Life – 50,000 hours

Rating IP67

Materials – Aluminum and PC Plastic Cover