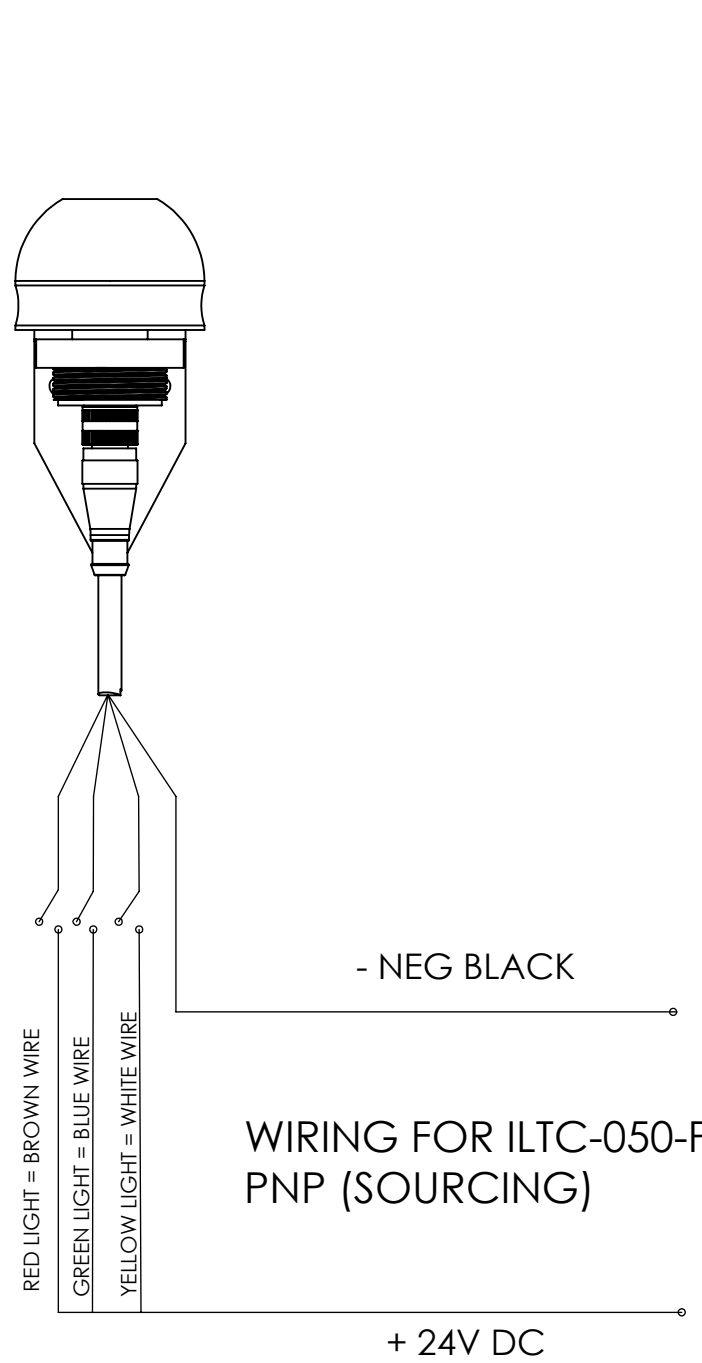
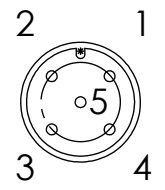


WIRING FOR ILTC-050-NPN  
NPN (SINKING)

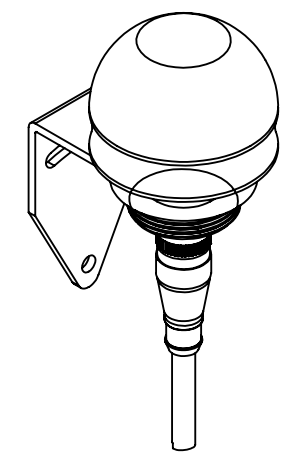
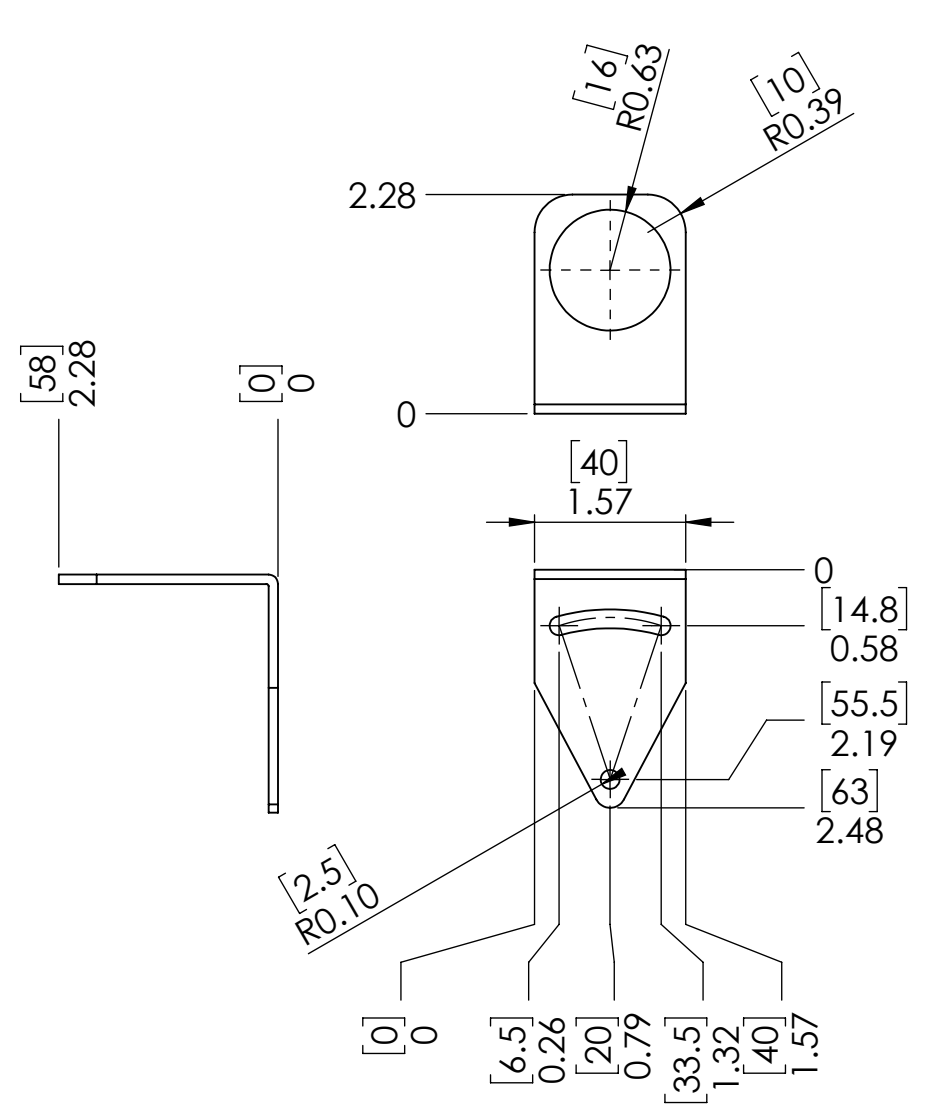


WIRING FOR ILTC-050-PNP  
PNP (SOURCING)



- PIN OUT
1. BROWN WIRE (RED LIGHT)
  2. WHITE WIRE (GREEN LIGHT)
  3. BLUE WIRE (GREEN LIGHT)
  4. BLACK WIRE (COMMON)

Specifications:  
 Body Material Aluminum  
 Voltage 24V DC  
 Rated Current .02A when Red, .03A when Yellow, .01A when Green  
 Life Span 50,000 hours



DEFAULTS		STACK-LIGHT.COM	
ANSI THIRD ANGLE	COUNTERSINKS: .5	TITLE	ILTC-O50
UNITS ARE IN mm X.X +/- .5 X.XX +/- .1 WHEN INCHES ARE USED X.X +/- .03 X.XX +/- .010 X.XXX +/- .005		MATERIAL	
BREAK ALL SHARP EDGES		FINISH	VENDOR
		DES. BY	VENDOR#
		DESIGNED DATE 11/7/2018	DRAWING NO.
		LAST SAVED DATE 8/7/2023	REV
		DWG SIZE: B	ILTC-O50
			WEIGHT 97.831 LBS
<b>PROPRIETARY AND CONFIDENTIAL</b> THE INFORMATION CONTAINED IN THIS DOCUMENT IS THE SOLE PROPERTY OF STACK-LIGHT.COM. ANY REPRODUCTION WITHOUT THE WRITTEN PERMISSION OF STACK-LIGHT.COM, IS PROHIBITED.			